

# VOLU-probe / VS – INDUSTRIAL CIRCULAR CONFIGURATION BEADED EDGE



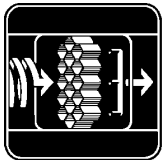
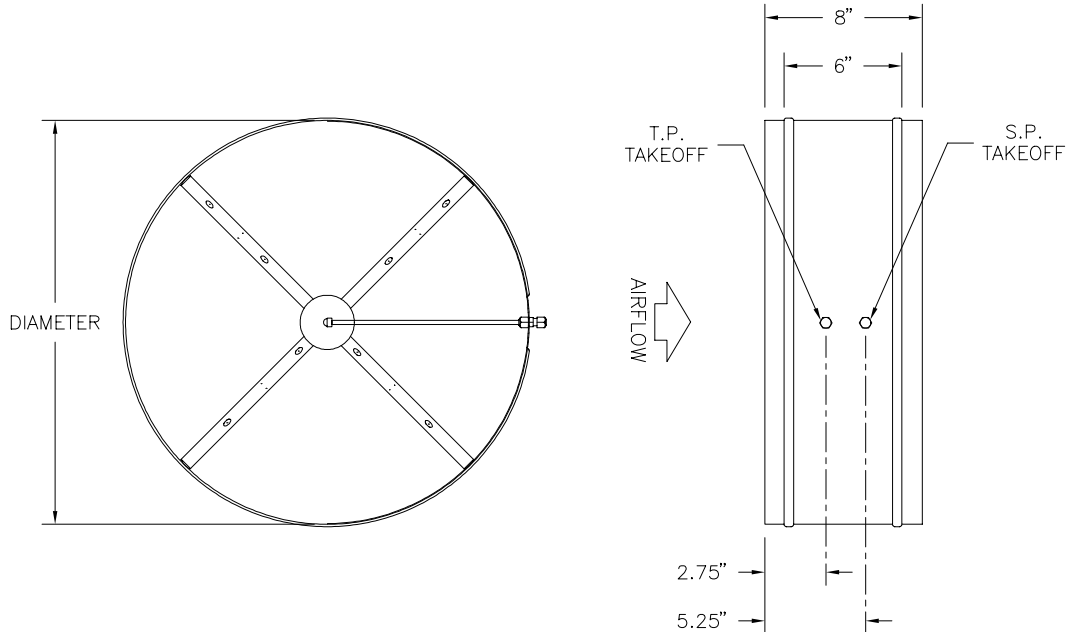
**STANDARD CONSTRUCTION**

<b>Casing.</b>	18 ga. galvanized sheetmetal, spot welded casing seams.
<b>Flanges.</b>	Beaded edge available on measuring stations 8" through 24" in diameter.
<b>Total and Static Pressure Sensors.</b>	Type 6063 extruded aluminum.
<b>Operating Temperature.</b>	Continuous operation to 200°F.
<b>Connection Fittings.</b>	¼" brass compression type.

**OPTIONAL CONSTRUCTION**

- |  |   |
|--|---|
| <ul style="list-style-type: none"> <li><input type="checkbox"/> Epoxy Polyamide Coating                             <ul style="list-style-type: none"> <li><input type="checkbox"/> Casing interior and sensor exteriors</li> <li><input type="checkbox"/> Inside and outside of casing only</li> <li><input type="checkbox"/> Sensor and manifold exteriors only</li> </ul> </li> <li><input type="checkbox"/> Brass Connection Fittings                             <ul style="list-style-type: none"> <li><input type="checkbox"/> 3/8" compression type</li> <li><input type="checkbox"/> Barbed fitting for 1/4" tube</li> <li><input type="checkbox"/> Barbed fitting for 3/8" tube</li> </ul> </li> </ul> | <ul style="list-style-type: none"> <li><input type="checkbox"/> Polyurethane Coating                             <ul style="list-style-type: none"> <li><input type="checkbox"/> Casing interior and sensor exteriors</li> <li><input type="checkbox"/> Inside and outside of casing only</li> <li><input type="checkbox"/> Sensor and manifold exteriors only</li> </ul> </li> </ul> |
|--|---|

**DIMENSIONAL SPECIFICATIONS**



AIR MONITOR  
CORPORATION