

VOLU-probe / VS Stainless Steel – Commercial

Circular Configuration

90° Flange

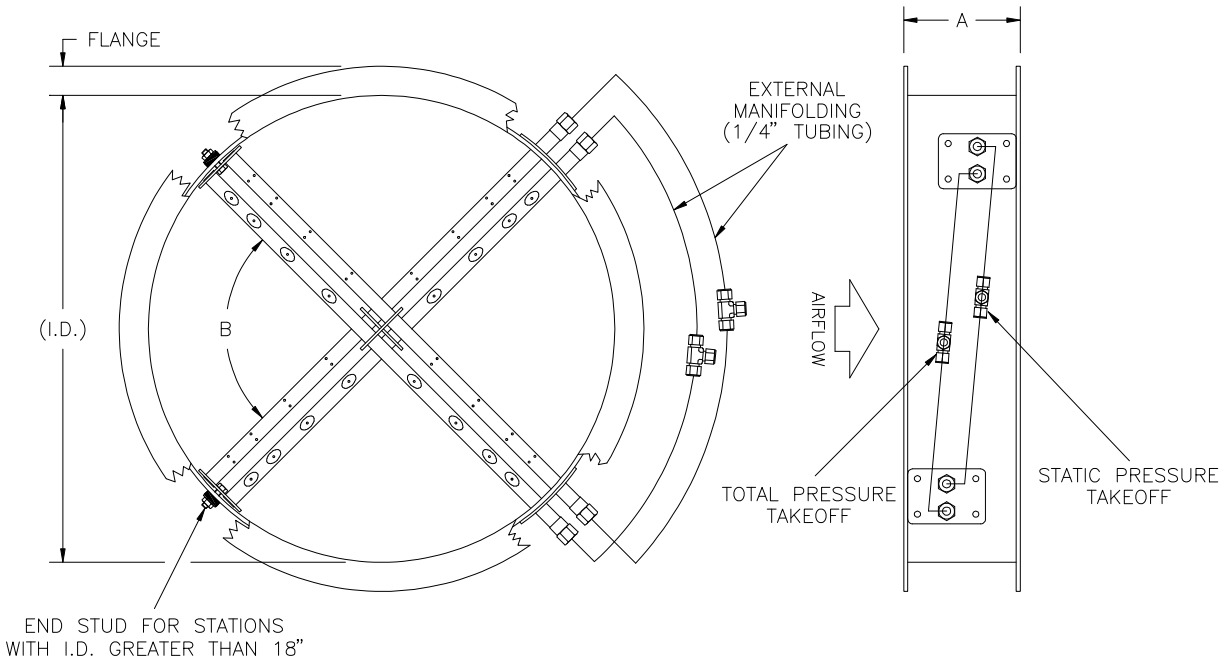
STANDARD CONSTRUCTION

Casing. 14 gauge, Type 316 stainless steel.
Flanges. Up to 24" diameter: 1" flange, 14 ga., Type 316 stainless steel, fusion welded to casing.
 25" to 44" diameter: 1-1/2" flange, 14 ga., Type 316 stainless steel, fusion welded to casing.
 45" diameter plus: 3/16" x 2", Type 316 stainless steel barstock welded to casing.
Total and Static Pressure Sensors. Type 316 stainless steel probes. Neoprene gaskets (0 to 200°F).
Operating Temperature. Continuous operation to 400°F.
Signal Connection Fitting. 1/4" compression stainless steel standard.

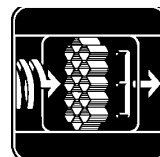
OPTIONS

- Signal Connection Fittings
 - 3/8" compression fitting.
- Extended Flanges.
 - Size _____
- Bolt Holes (per flange)
 - Size _____
 - Qty _____
 - Bolt Circle Dia. _____
- High Temperature Probe Gaskets
 - Silicone; 200°F to 400°F

DIMENSIONAL SPECIFICATIONS



I.D.	NUMBER OF PROBES	A	B
8" THRU 18"	1	6.00	—
>18" THRU 72"	2	8.00	90°
>72" THRU 120"	3	10.00	60°



AIR MONITOR CORPORATION