

VOLU-probe / VS – Stainless Steel – Commercial

Circular Configuration

Beaded Edge

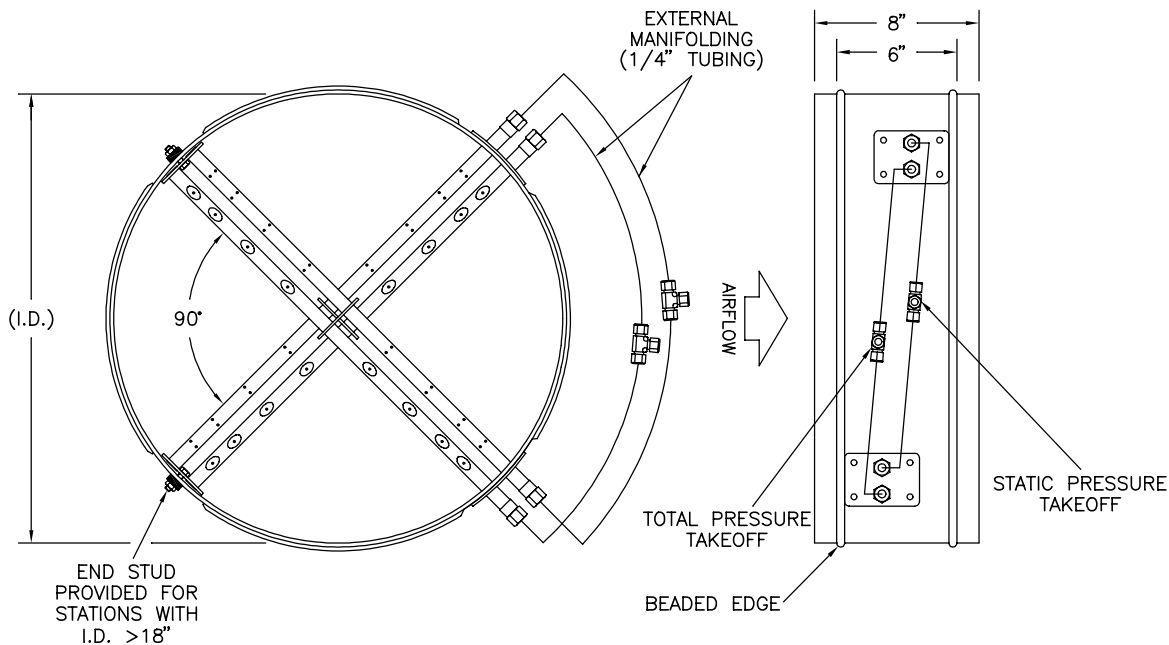
STANDARD CONSTRUCTION

Casing.	18 gauge, Type 316 stainless steel.
Flanges.	Beaded edge available on measuring stations 8" through 24" in diameter.
Total and Static Pressure Sensors.	Type 316 stainless steel probes. Neoprene gaskets (0 to 200°F).
Operating Temperature.	Continuous operation to 400°F.
Signal Connection Fittings.	¼" stainless steel compression type.

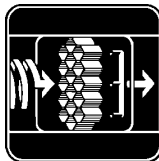
OPTIONS

- | | |
|---|---|
| <input type="checkbox"/> Signal Connection Fittings
<input type="checkbox"/> 3/8" compression fitting. | <input type="checkbox"/> High Temperature Probe Gaskets
<input type="checkbox"/> Silicone; 200°F to 400°F. |
|---|---|

DIMENSIONAL SPECIFICATIONS



I.D.	NUMBER OF PROBES
8" THRU 18"	1
>18" THRU 24"	2



AIR MONITOR CORPORATION

P.O. Box 6358 • Santa Rosa, CA 95406 • (707) 544-2706 • (707) 526-2825 Fax