

# VOLU-probe / FI

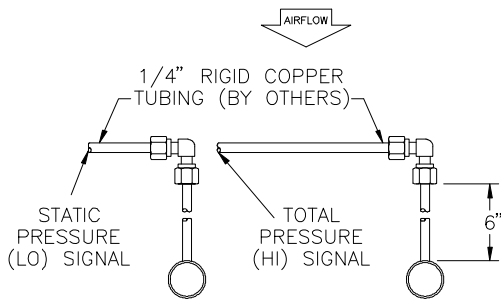
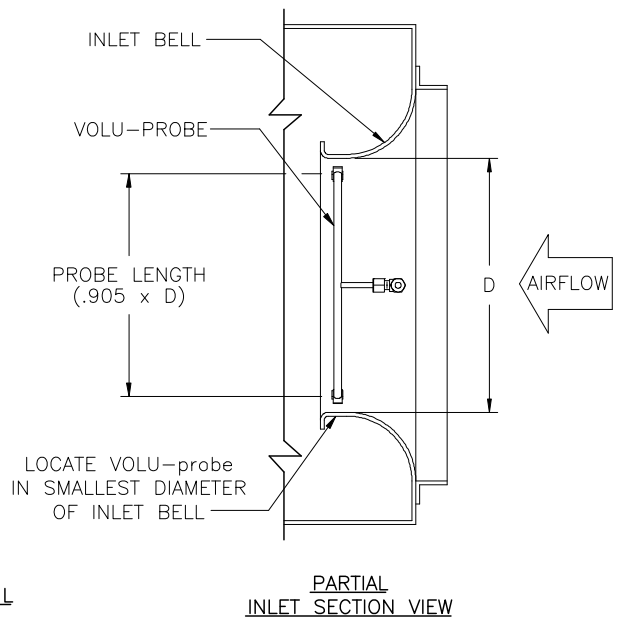
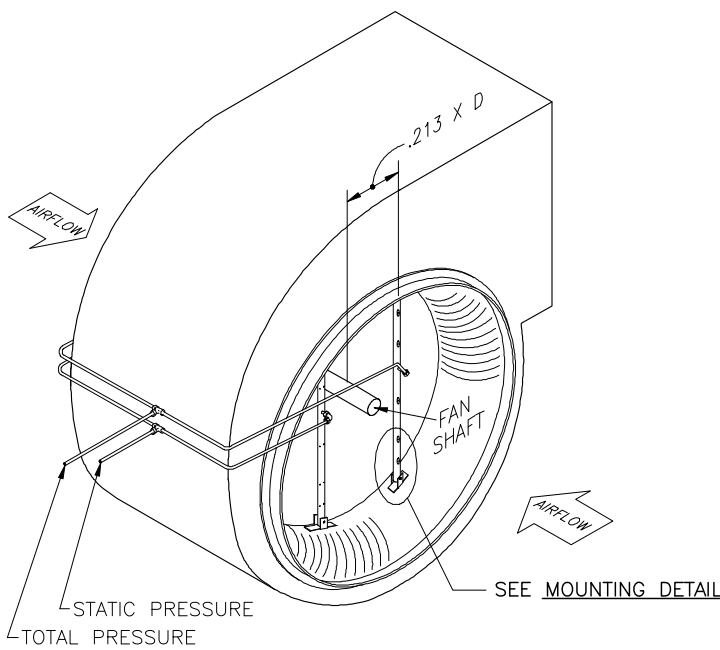
## FAN INLET AIRFLOW TRAVERSE PROBE

- DOUBLE WIDE, DOUBLE INLET
- FAN INLETS LESS THAN 20" IN DIAMETER

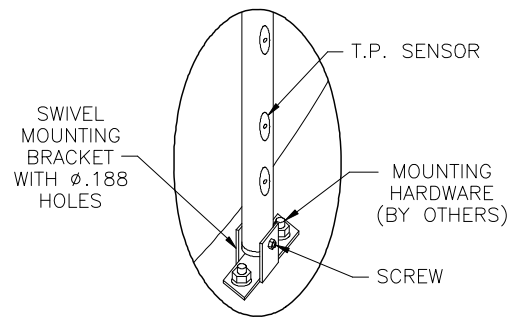
**STANDARD CONSTRUCTION**

<p><b>Probe.</b>  <b>Mounting Brackets.</b>  <b>Connection Fittings.</b>  <b>Operating Temperature.</b></p>	<p>3/8" copper tube.          Galvanized steel.          1/4" brass compression type.          Continuous operation to 200°F.</p>
---	---

**DIMENSIONAL SPECIFICATIONS**



SIGNAL CONNECTION DETAIL



MOUNTING DETAIL

