

# VOLU-probe / FI

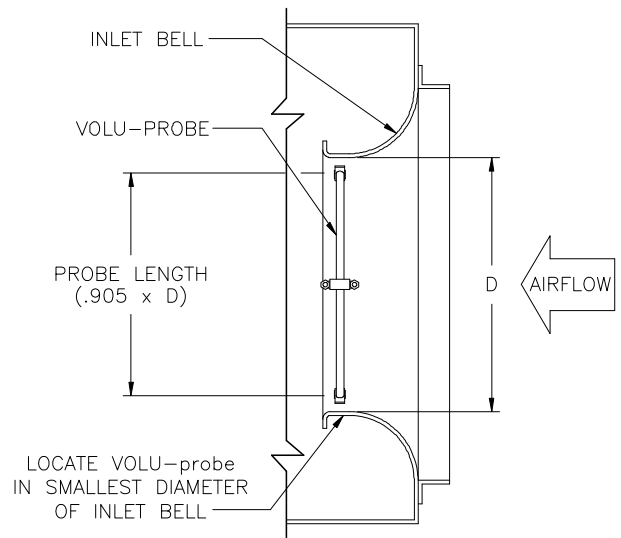
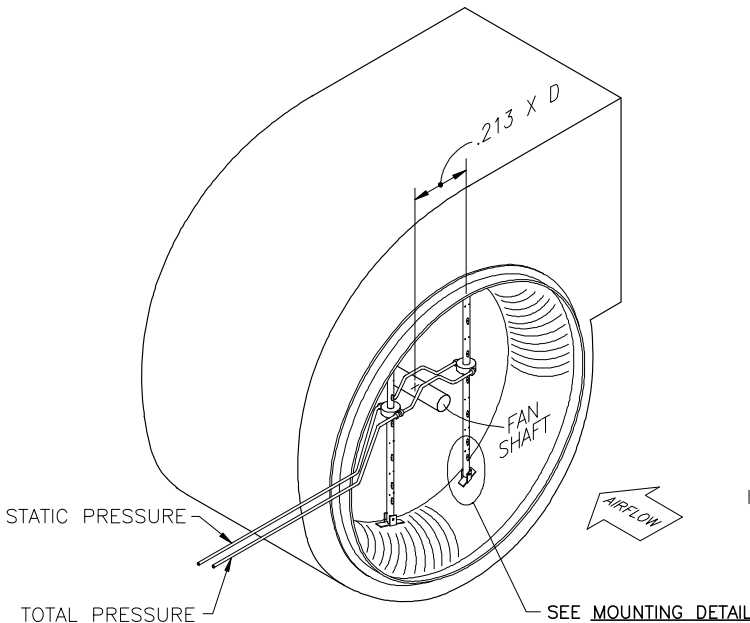
## FAN INLET AIRFLOW TRAVERSE PROBE

- SINGLE WIDE, SINGLE INLET
- FAN INLETS 20" IN DIAMETER AND LARGER

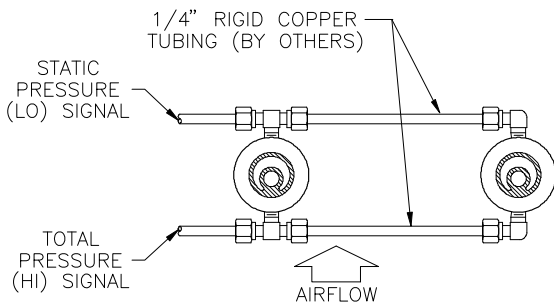
**STANDARD CONSTRUCTION**

<b>Probe.</b>	3/4" tube for fan inlets 20" to 48" in diameter. 1-3/8" tube for fan inlets larger than 48".
<b>Mounting Brackets.</b>	Type 6063 anodized aluminum dual chambered extrusion.
<b>Connection Fittings.</b>	Galvanized steel.
<b>Operating Temperature.</b>	1/4" brass compression type. Continuous operation to 200°F.

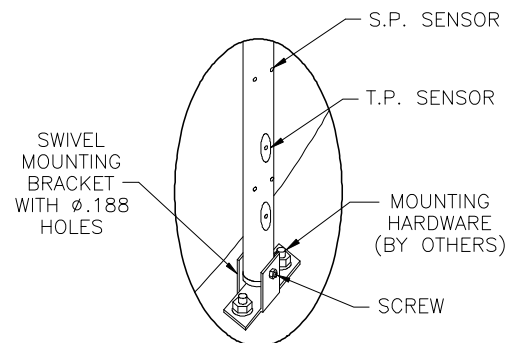
**DIMENSIONAL SPECIFICATIONS**



**INLET SECTION VIEW**



**SIGNAL CONNECTION DETAIL**



**MOUNTING DETAIL**

