

VOLU-probe / FI

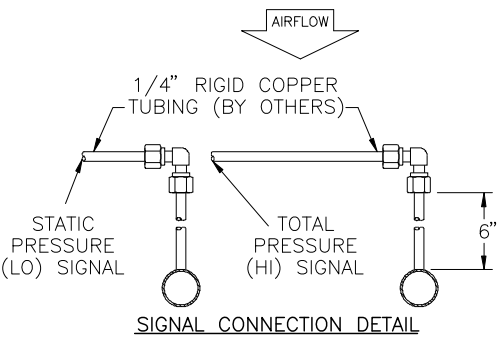
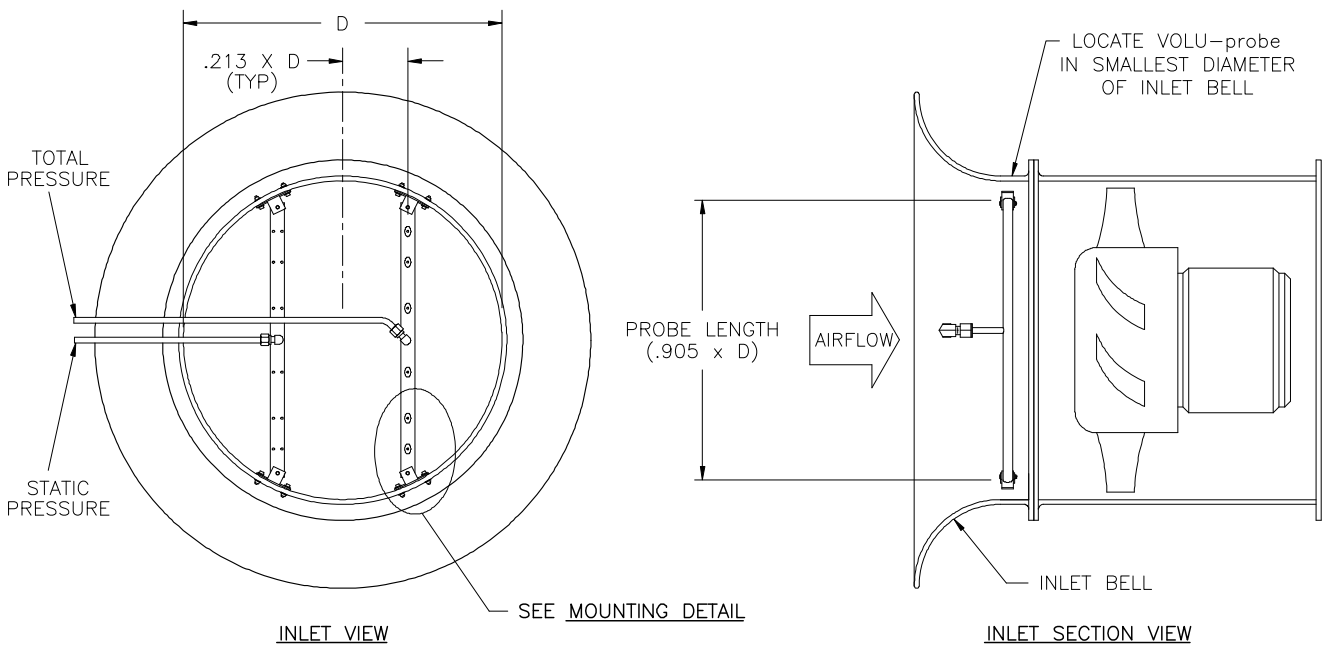
FAN INLET AIRFLOW TRAVERSE PROBE

- VANE AXIAL
- FAN INLETS LESS THAN 20" IN DIAMETER

STANDARD CONSTRUCTION

Probe.	3/8" copper tube.
Mounting Brackets.	Galvanized steel.
Connection Fittings.	1/4" brass compression type.
Operating Temperature.	Continuous operation to 200°F.

DIMENSIONAL SPECIFICATIONS



P.O. Box 6358 • Santa Rosa, CA 95406 • (707) 544-2706 • (707) 526-2825 Fax
 www.airmonitor.com • amcsales@airmonitor.com