

VOLU-probe / FI-SS

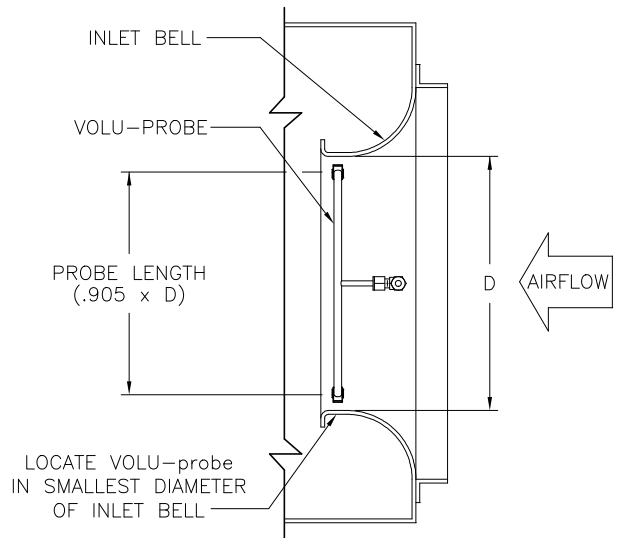
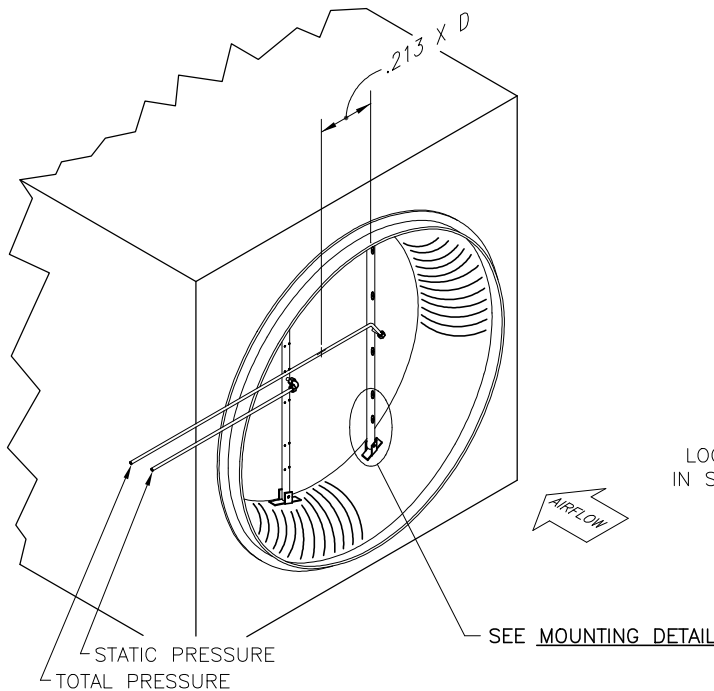
FAN INLET AIRFLOW TRAVERSE PROBE

- PLUG FAN
- FAN INLETS LESS THAN 20" IN DIAMETER

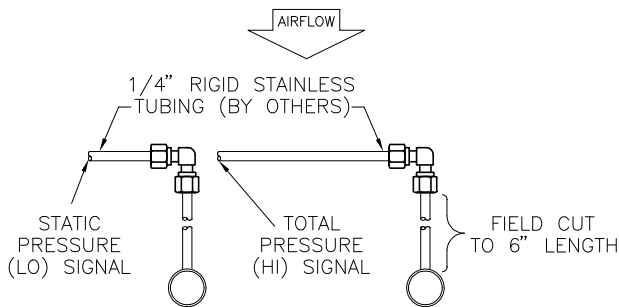
STANDARD CONSTRUCTION

Probe.	3/8" tube. Type 316 stainless steel.
Mounting Brackets.	Type 316 stainless steel.
Connection Fittings.	1/4" stainless steel compression type.
Operating Temperature.	Continuous operation to 900°F.

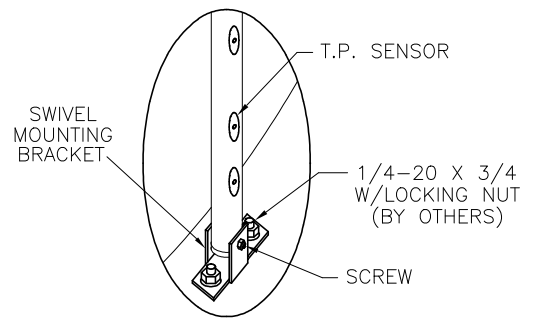
DIMENSIONAL SPECIFICATIONS



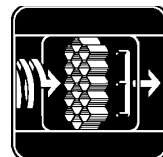
INLET SECTION VIEW



SIGNAL CONNECTION DETAIL



MOUNTING DETAIL



AIR MONITOR CORPORATION

P.O. Box 6358 • Santa Rosa, CA 95406 • (707) 544-2706 • (707) 526-2825 Fax