

VOLU-probe / FI-SS

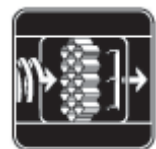
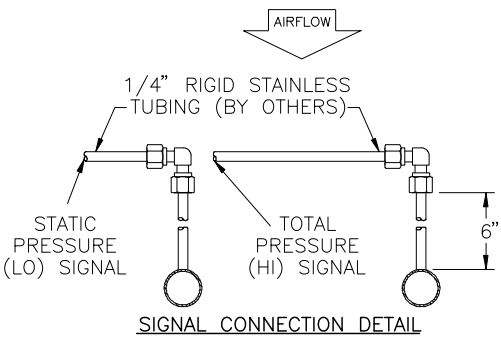
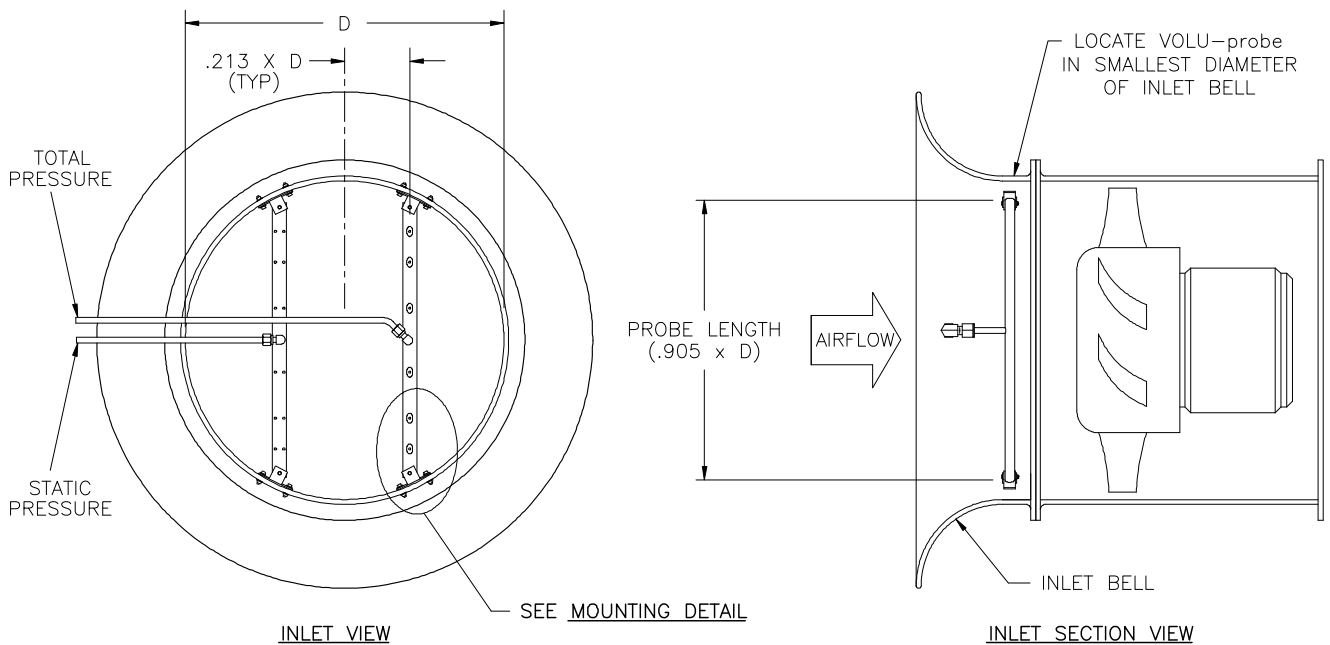
FAN INLET AIRFLOW TRAVERSE PROBE

- VANE AXIAL
- FAN INLETS LESS THAN 20" IN DIAMETER

STANDARD CONSTRUCTION

| | |
|-------------------------------|--|
| Probe. | 3/8" tube. Type 316 stainless steel. |
| Mounting Brackets. | Type 316 stainless steel. |
| Connection Fittings. | 1/4" stainless steel compression type. |
| Operating Temperature. | Continuous operation to 900°F. |

DIMENSIONAL SPECIFICATIONS



AIR MONITOR CORPORATION

P.O. Box 6358 • Santa Rosa, CA 95406 • (707) 544-2706 • (707) 526-2825 Fax
www.airmonitor.com • amcsales@airmonitor.com