

VELTRON II

ULTRA-LOW RANGE DIFFERENTIAL PRESSURE/ FLOW TRANSMITTER

PHYSICAL SPECIFICATIONS

Signal Connections.

High and low pressure, 1/8" FPT.

Enclosure.

NEMA 1 aluminum enclosure.

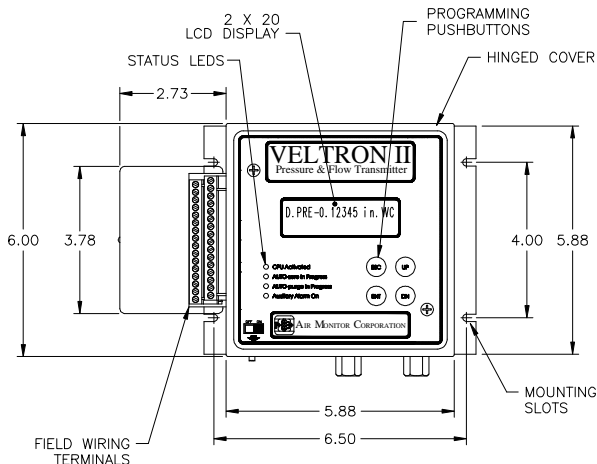
Electrical Connections.

External terminal strip with plug-in connectors. Optional terminal strip enclosure with dual 3/4" conduit connections.

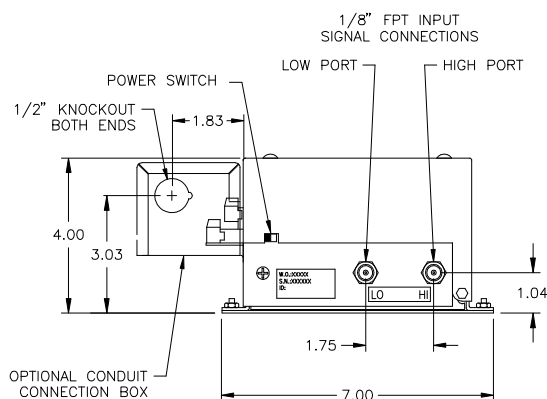
Weight.

4.1 lbs.

DIMENSIONAL SPECIFICATIONS

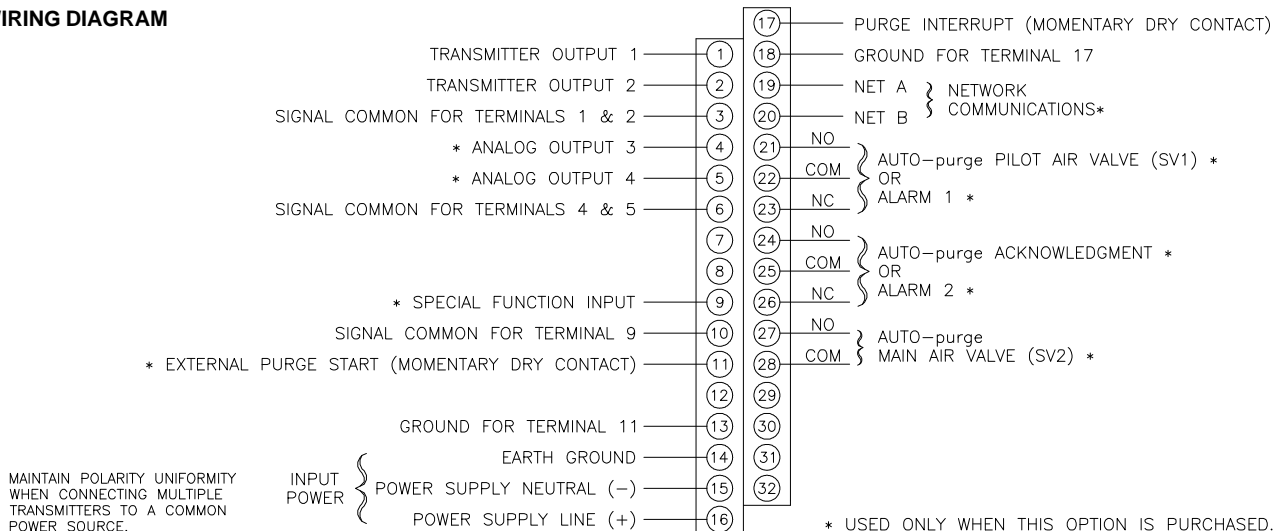


FRONT VIEW



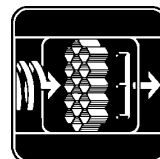
BOTTOM VIEW

WIRING DIAGRAM



MAINTAIN POLARITY UNIFORMITY WHEN CONNECTING MULTIPLE TRANSMITTERS TO A COMMON POWER SOURCE.

INPUT POWER



AIR MONITOR CORPORATION