

# ACCU-FLO / NP

## NOZZLE PITOT FLOW STATION

### MODEL HP

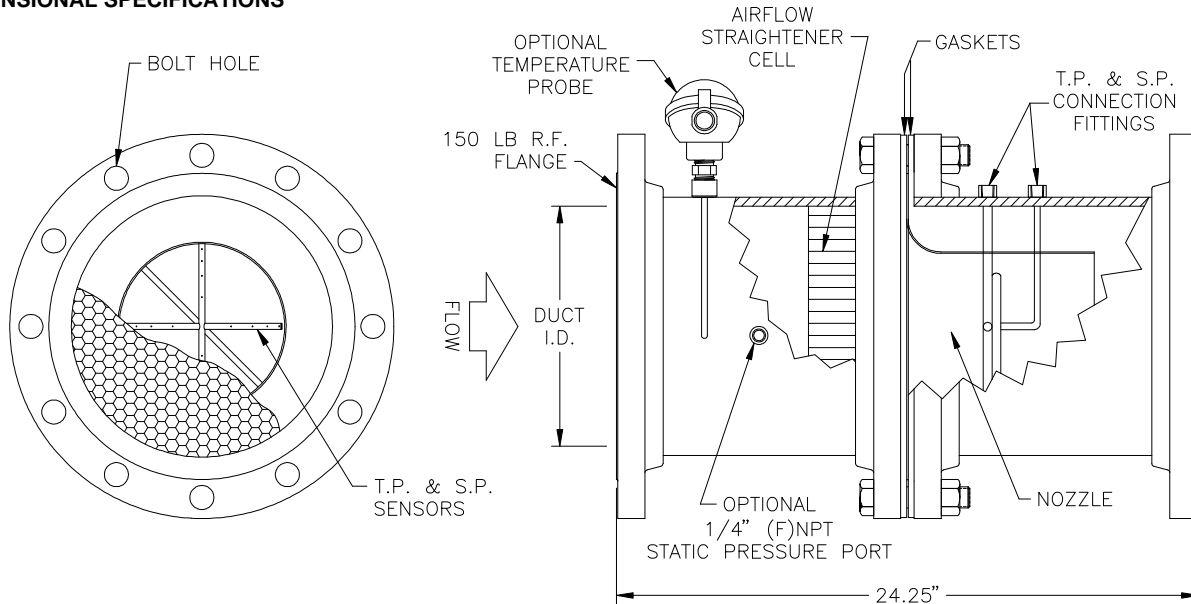
**STANDARD CONSTRUCTION**

<b>Casing.</b>	Carbon steel or stainless steel pipe. Select from Construction Option below.
<b>Flanges.</b>	150 lb. raised face. Carbon steel or stainless steel
<b>Nozzle.</b>	Type 316 stainless steel
<b>Air Straightener.</b>	Hexagonal cell, Type 316 stainless steel
<b>Total and Static Pressure Sensors.</b>	Type 316 stainless steel
<b>Connection Fittings.</b>	1/4" (F)NPT, Type 316 stainless steel
<b>Operating Temperature.</b>	Continuous operation to 800°F
<b>Non-Recovered Pressure Loss.</b>	42-45% of the velocity head (pressure) for the design flow rate
<b>Maximum Static Pressure.</b>	Dependent upon materials of construction, operating temperature and installation Contact Factory

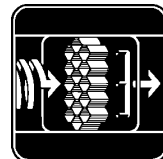
**CONSTRUCTION OPTIONS**

<p><b>Casing and Flanges.</b></p> <p><input type="checkbox"/> Carbon Steel</p> <p><input type="checkbox"/> Stainless Steel</p>	<p><b>Temperature Sensor.</b></p> <p><input type="checkbox"/> Single-point 100 ohm, platinum RTD.</p> <p><input type="checkbox"/> Single-point thermocouple.</p> <p><input type="checkbox"/> Multi-point thermocouple</p>	<p><b>Static Pressure Port.</b></p> <p><input type="checkbox"/> 1/4" (F)NPT</p>
--	---	---

**DIMENSIONAL SPECIFICATIONS**



Nominal Duct Size	Duct I.D.	Duct Wall	Flange O.D.	Bolt Circle	Bolt Qty	Cell Hex Size	Nozzle I.D.
4"	4.03	0.237	9.0	7.50	8	1/4 x 3	2.65
6"	6.07	0.280	11.0	9.50	8	1/4 x 3	4.03
8"	7.98	0.322	13.5	11.75	8	3/8 x 3	5.48
10"	10.02	0.365	16.0	14.25	12	3/8 x 3	6.89
12"	12.00	0.375	19.0	17.00	12	3/8 x 3	8.31
14"	13.25	0.375	21.0	19.75	12	3/8 x 3	9.37
16"	15.25	0.375	23.5	21.25	16	3/8 x 3	10.78
18"	17.25	0.375	25.0	22.75	16	3/8 x 3	12.20
20"	19.25	0.375	27.5	25.00	20	3/8 x 3	13.61
24"	23.25	0.375	32.0	29.50	20	3/8 x 3	16.44



**AIR MONITOR CORPORATION**

P.O. Box 6358 • Santa Rosa, CA 95406 • (707) 544-2706 • (707) 526-2825 Fax  
www.airmonitor.com • amcsales@airmonitor.com