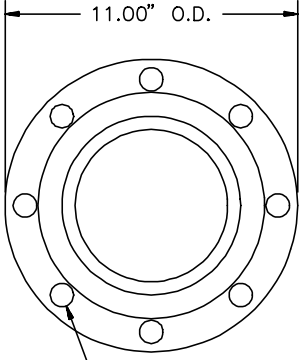
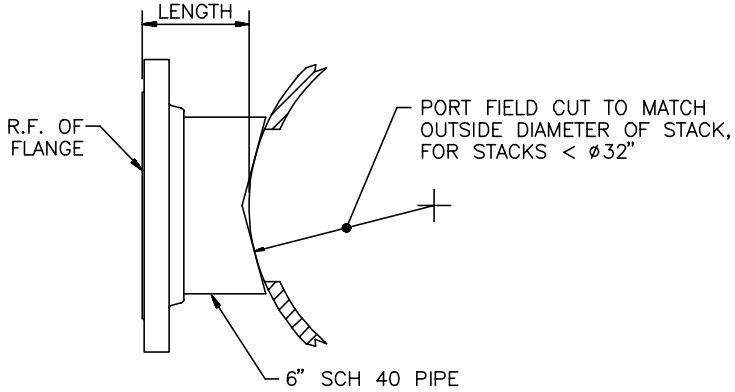
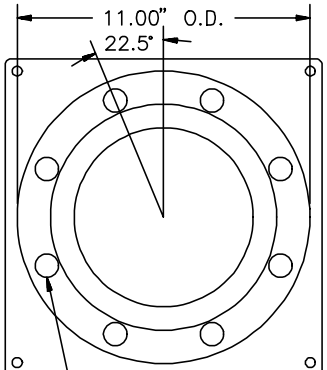
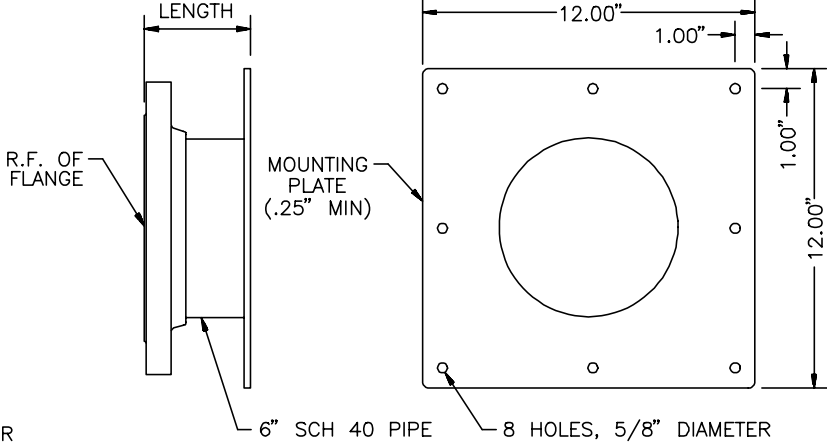
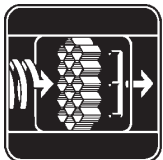


INSERTION PORT STACK-probe INSTALLATION

STANDARD CONSTRUCTION	
Mounting Flange.	6"-150 lb. raised face pipe flange.
Port Body.	6" Schedule 40 pipe.
Probe Mounting Bolts.	¾" x 3½" bolts with nuts, washers, and a ring gasket.
MATERIAL OPTIONS	
<input type="checkbox"/> 316 Stainless Steel	<input type="checkbox"/> Carbon Steel
ORIENTATION OPTIONS	
Length.	Bolt Hole Orientation.
<input type="checkbox"/> 4" standard from O.D. of stack	<input type="checkbox"/> 1-Up
<input type="checkbox"/> Other	<input type="checkbox"/> 2-Up
WELD ON	
 <p style="text-align: center;">11.00" O.D.</p> <p style="text-align: center;">8 HOLES, 7/8" DIAMETER ON 9.50 BOLT CIRCLE DIAMETER (1-UP SHOWN)</p>	 <p style="text-align: center;">LENGTH</p> <p>R.F. OF FLANGE</p> <p style="text-align: right;">PORT FIELD CUT TO MATCH OUTSIDE DIAMETER OF STACK, FOR STACKS < Ø32"</p> <p style="text-align: center;">6" SCH 40 PIPE</p>
BOLT ON	
 <p style="text-align: center;">11.00" O.D.</p> <p style="text-align: center;">22.5"</p> <p style="text-align: center;">8 HOLES, 7/8" DIAMETER ON 9.50 BOLT CIRCLE DIAMETER (2-UP SHOWN)</p>	 <p style="text-align: center;">LENGTH</p> <p>R.F. OF FLANGE</p> <p style="text-align: center;">MOUNTING PLATE (.25" MIN)</p> <p style="text-align: center;">12.00"</p> <p style="text-align: center;">1.00"</p> <p style="text-align: center;">12.00"</p> <p style="text-align: center;">1.00"</p> <p style="text-align: center;">6" SCH 40 PIPE</p> <p style="text-align: center;">8 HOLES, 5/8" DIAMETER</p>



AIR MONITOR
CORPORATION

P.O. Box 6358 • Santa Rosa, CA 95406 • (707) 544-2706 • (707) 526-2825 Fax