

TEMPERATURE PROBE

SINGLE POINT

SELF-SUPPORTED

STANDARD CONSTRUCTION

Temperature Element. 100 ohm platinum RTD or Thermocouple.
Temperature Element Sheathing. 1/4" diameter RTD or 1/2" diameter Thermocouple, 316 stainless steel.
Temperature J-Box. NEMA 4 cast aluminum.
Temperature Transmitter. 2-wire, 4-20mA non-isolated, linearized output. (24 to 40VDC loop power required.)
Mounting Plate. 6" x 6", 316 stainless steel.
Support Tube. 316 stainless steel.

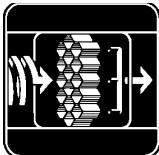
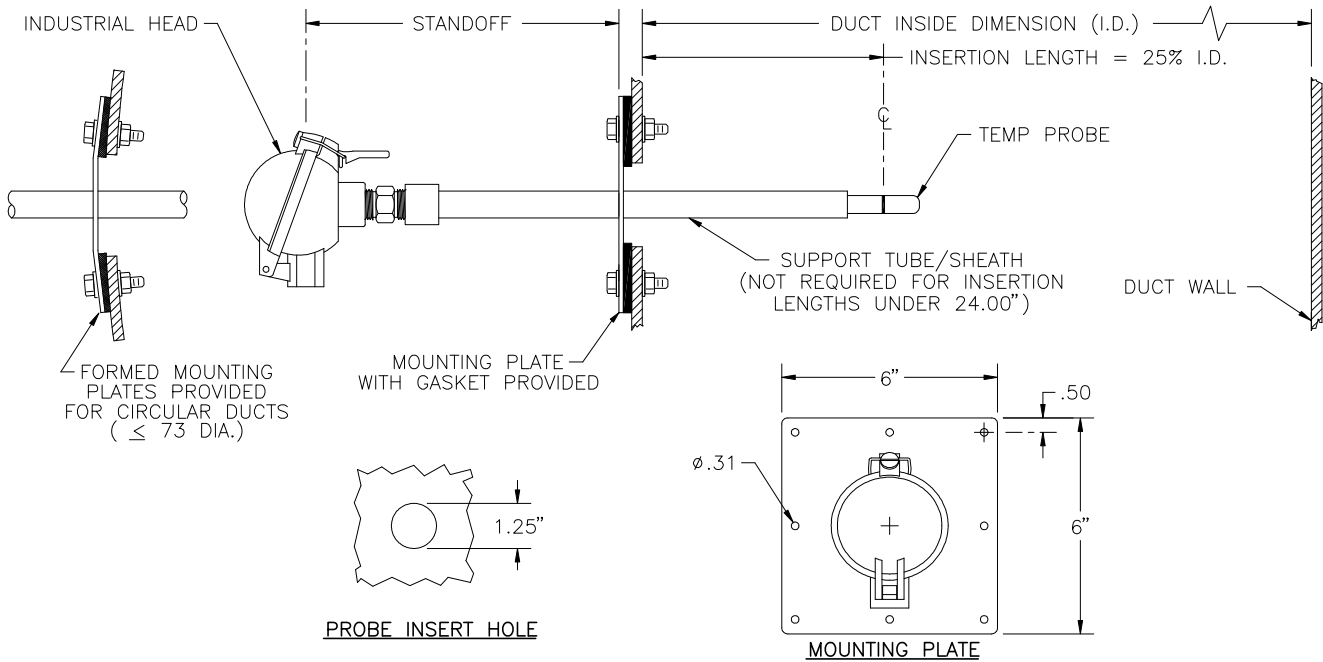
PERFORMANCE SPECIFICATIONS

RTD Element Accuracy. $\pm .1 \Omega @ ^\circ\text{C}$, per SAMA RC21-4-1966.
Thermocouple Accuracy. Per ANSI Circular MC 96.1-1982.
RTD Temperature Coefficient (Alpha). 0.00385
Temperature Transmitter Range. _____ to _____.

OPTIONS

<p>Thermocouple Type.</p> <p><input type="checkbox"/> K <input type="checkbox"/> E <input type="checkbox"/> J</p>	<p>Standoff.</p> <p><input type="checkbox"/> 9" (standard) <input type="checkbox"/> Other _____</p>	<p>High Temperature Gasket.</p> <p><input type="checkbox"/> Silicone, 200°F to 400°F <input type="checkbox"/> Fiber, 400°F to 900°F</p>	<p>Transmitter Type.</p> <p><input type="checkbox"/> Optically Isolated</p>
--	---	---	--

DIMENSIONAL SPECIFICATIONS



AIR MONITOR CORPORATION