

REMOTE TEMPERATURE TRANSMITTER

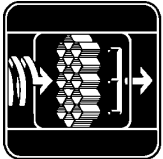
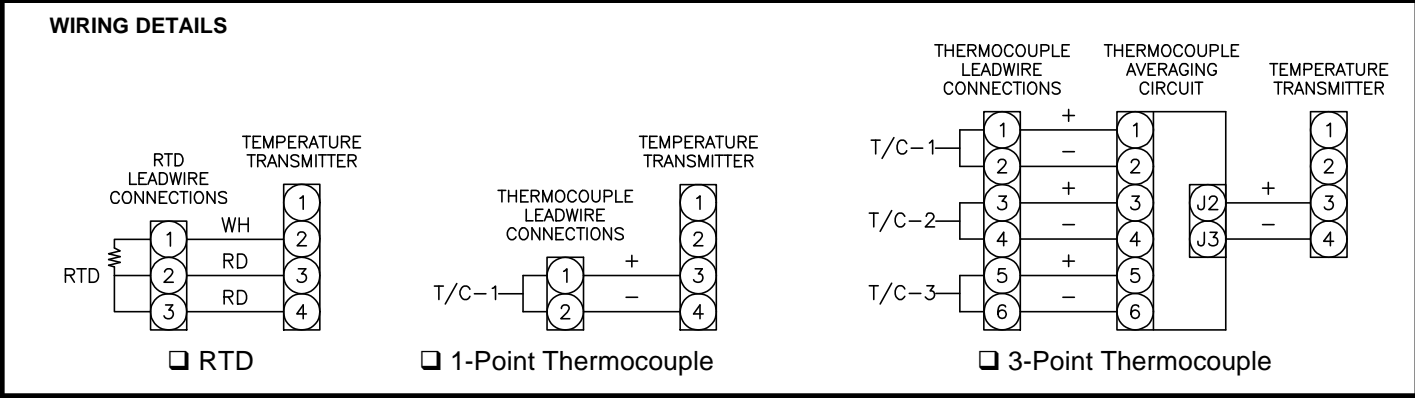
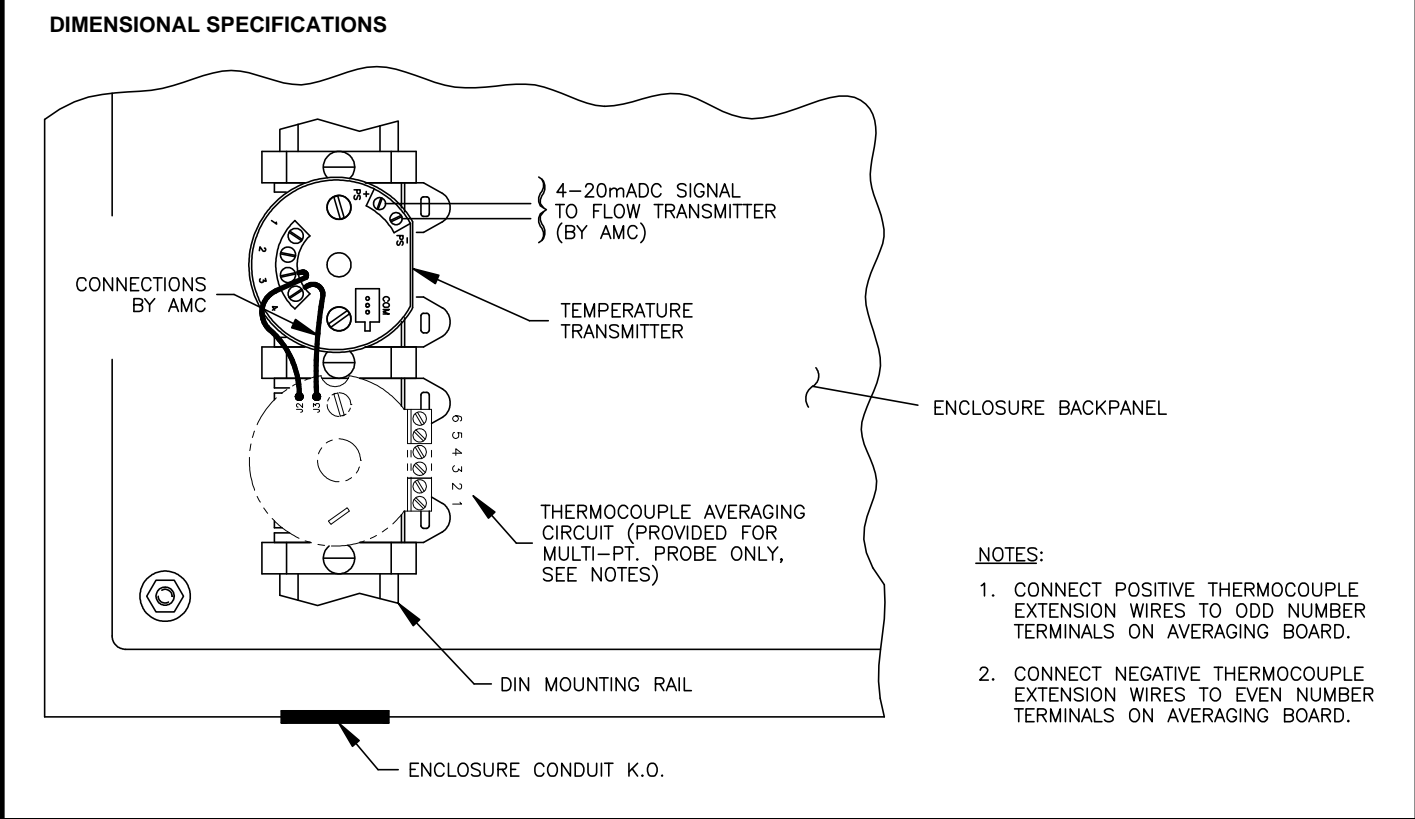
RAIL MOUNTED, 2-WIRE, 4-20mA OUTPUT

FUNCTION

To provide a non-isolated, linear to temperature, 4-20mA DC signal from the temperature probe. The transmitter is mounted to the back panel of the AUTO-purge, CAMS, or flow transmitter enclosure. Interconnect wire by others.

OPTIONS

Optically Isolated Output



AIR MONITOR CORPORATION

P.O. Box 6358 • Santa Rosa, CA 95406 • (707) 544-2706 • (707) 526-2825 Fax
 www.airmonitor.com • amcsales@airmonitor.com