

# VOLU-probe /1SS with TEMPERATURE SENSOR

## EXTERNALLY MOUNTED

### STAINLESS STEEL AIRFLOW TRAVERSE PROBE

**STANDARD CONSTRUCTION**

- Probe.** 1/2", 3/4" or 1" tube sensing manifolds, threaded end support, washer and nut, mounting plate, signal connection fittings, and identification tag, all fabricated of Type 316 stainless steel. Neoprene gaskets included.
- Mounting.** External duct mounted. Threaded end support for probes greater than 18" long.
- Connection Fittings.** 1/2" FPT stainless steel.
- Operating Temperature.** Continuous operation to 900°F.
- Temperature Sensor.** Stainless steel sheath.
- Temperature J-Box.** NEMA 4 cast aluminum.
- Temperature Transmitter.** 2-wire, 4-20mA output.

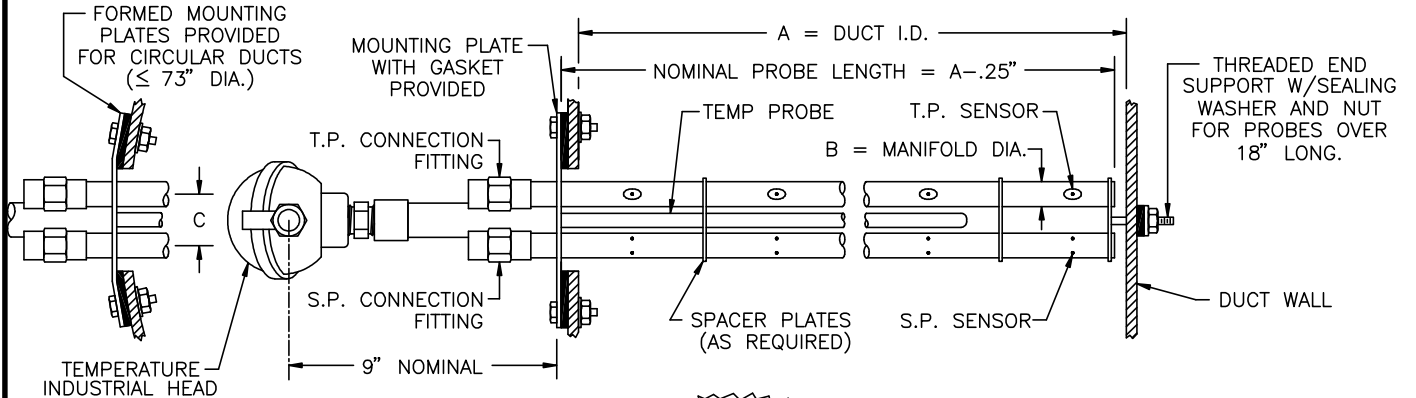
**PERFORMANCE SPECIFICATIONS**

- Accuracy.** 2-3%; dependent upon quantity and placement of probes to achieve traverse of ducted airflow.
- Outputs.** Individually averaged signals of total and static pressure.
- Operating Velocity.** 400-10,000 FPM.
- Directional Sensitivity.** Not measurably affected by directional airflows and pitch and yaw angles up to 30°.
- Traverse Pattern.** On an equal area basis for rectangular probes. On an equal concentric area basis for circular probes.
- Resistance.** Less than 0.1 times the velocity pressure head at probe operating velocity.

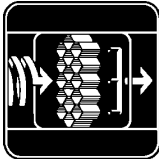
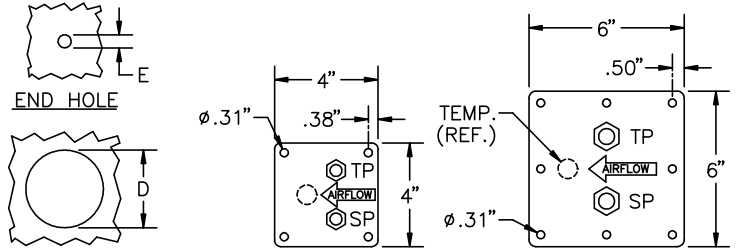
**OPTIONAL CONSTRUCTION**

- |   |  |   |  |
|---|--|---|--|
| <p><b>Connection Fittings.</b></p> <ul style="list-style-type: none"> <li><input type="checkbox"/> 1/4" Compression</li> <li><input type="checkbox"/> 1/2" Compression</li> </ul> | <p><b>Signal Connection.</b></p> <ul style="list-style-type: none"> <li><input type="checkbox"/> Cleanout</li> </ul> | <p><b>Temperature Sensor.</b></p> <ul style="list-style-type: none"> <li><input type="checkbox"/> Single-point 100 ohm, platinum RTD.</li> <li><input type="checkbox"/> Single point thermocouple.</li> <li><input type="checkbox"/> Multi-point thermocouple.</li> </ul> | <p><b>High Temperature Gasket.</b></p> <ul style="list-style-type: none"> <li><input type="checkbox"/> Silicone; 200-400°F.</li> <li><input type="checkbox"/> Fiber; 400-900°F.</li> </ul> |
|---|--|---|--|

**DIMENSIONAL SPECIFICATION**



DIMENSIONAL CHART					
A"	B"	C"	D"	E"	MOUNTING PLATE
12-24	.50	1.50	2.50	.31	4" x 4"
>24-120	.75	2.00	4.00	.38	6" x 6"
>120-240	1.00	2.25	4.00	.56	6" x 6"



AIR MONITOR CORPORATION

P.O. Box 6358 • Santa Rosa, CA 95406 • (707) 544-2706 • (707) 526-2825 Fax