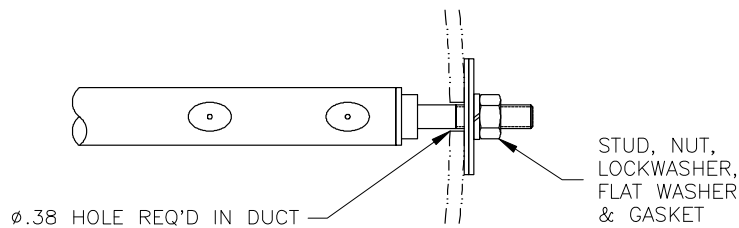


VOLU-probe / SM

END SUPPORT OPTIONS

THREADED END SUPPORT

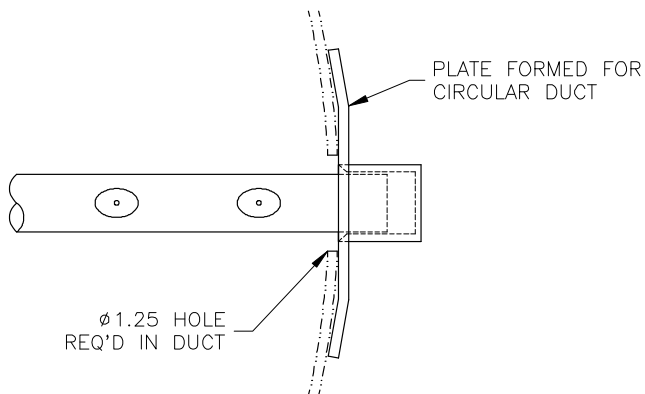
Material. 5/16-18 stainless steel stud, neoprene or high temperature ceramic fiber gasket.



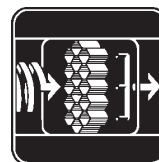
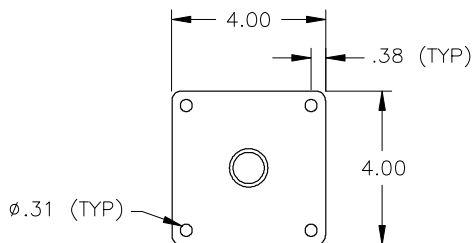
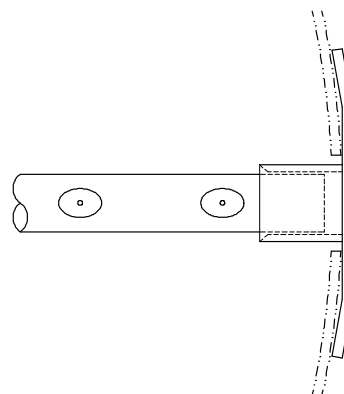
SOCKET END SUPPORT (bracket may be bolted in place or welded directly to duct wall.)

Material. Socket: Stainless steel tubing
Plate: 10ga (.135) stainless steel

EXTERNAL STYLE



INTERNAL STYLE



AIR MONITOR
CORPORATION