

VOLU-probe / FI-SS

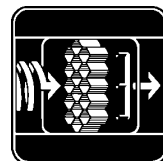
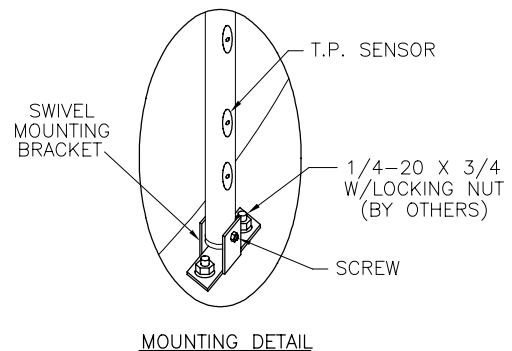
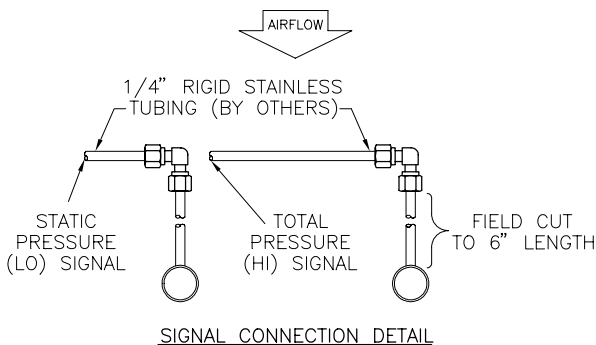
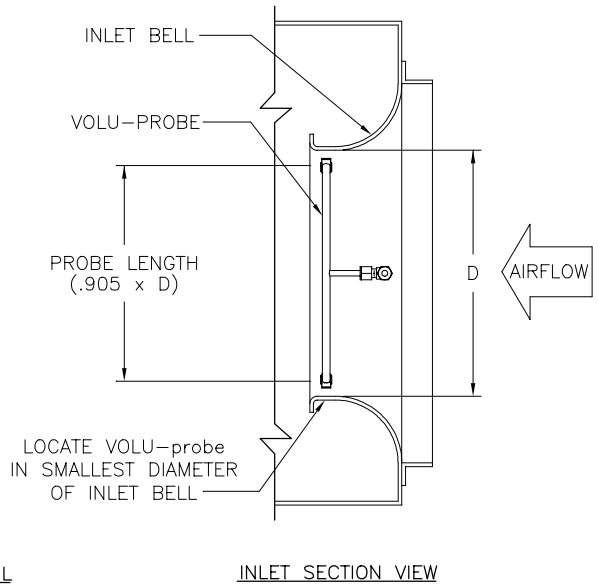
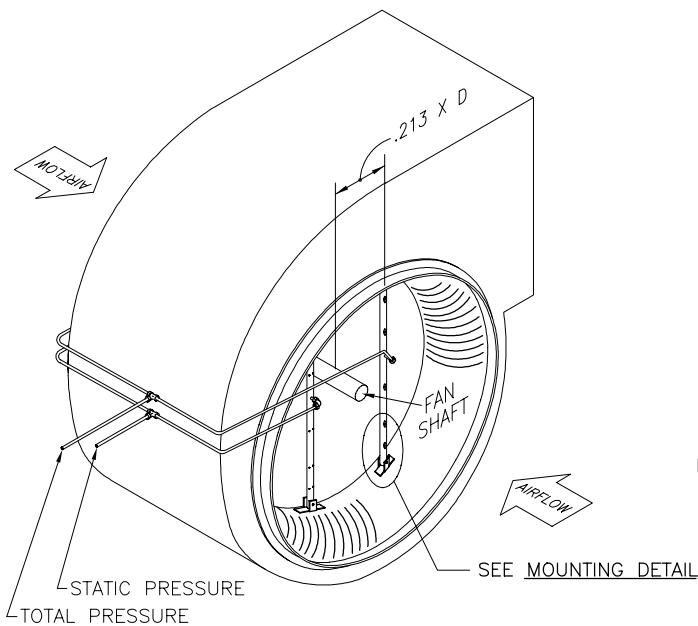
FAN INLET AIRFLOW TRAVERSE PROBE

- DOUBLE WIDE, DOUBLE INLET
- FAN INLETS LESS THAN 20" IN DIAMETER

STANDARD CONSTRUCTION

Probe.	3/8" tube. Type 316 stainless steel.
Mounting Brackets.	Type 316 stainless steel.
Connection Fittings.	1/4" stainless steel compression type.
Operating Temperature.	Continuous operation to 900°F.

DIMENSIONAL SPECIFICATIONS



AIR MONITOR
CORPORATION

P.O. Box 6358 • Santa Rosa, CA 95406 • (707) 544-2706 • (707) 526-2825 Fax