

# VOLU-probe / FI-SS

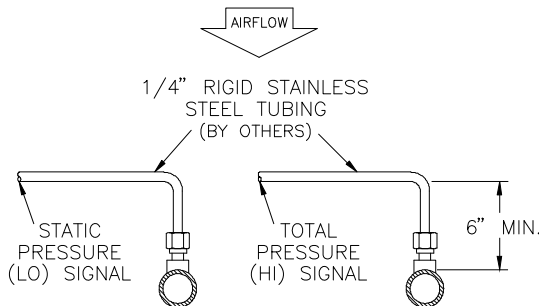
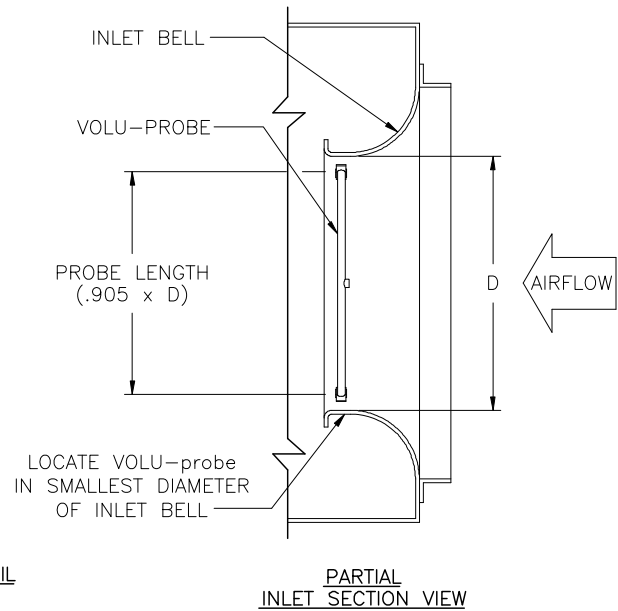
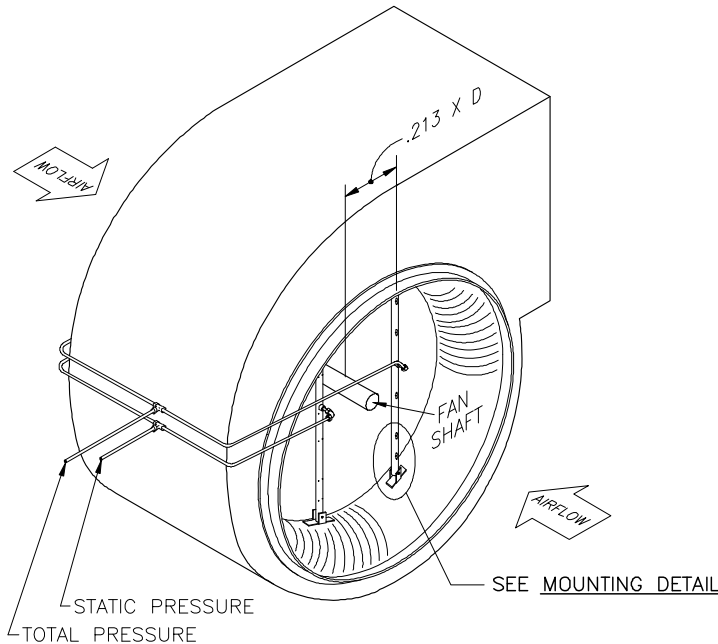
## FAN INLET AIRFLOW TRAVERSE PROBE

- DOUBLE WIDE, DOUBLE INLET
- FAN INLETS 20" IN DIAMETER AND LARGER

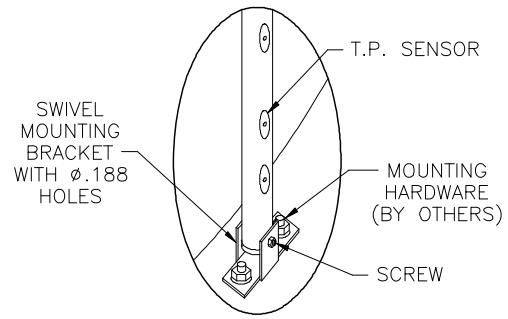
### STANDARD CONSTRUCTION

<b>Probe.</b>	3/4" tube for fan inlets 20" to 48" in diameter, 1" tube for fan inlets larger than 48" in diameter. Type 316 stainless steel.
<b>Mounting Brackets.</b>	Type 316 stainless steel.
<b>Connection Fittings.</b>	1/8" FPT, Type 316 stainless steel.
<b>Operating Temperature.</b>	Continuous operation to 900°F.

### DIMENSIONAL SPECIFICATIONS



SIGNAL CONNECTION DETAIL



MOUNTING DETAIL

