

VOLU-probe / FI-SS

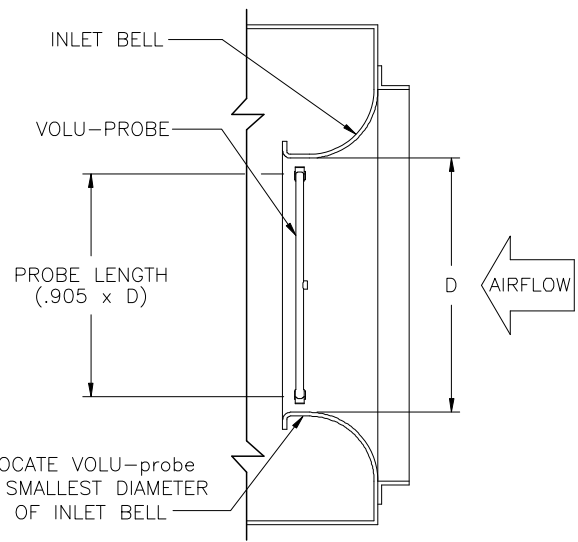
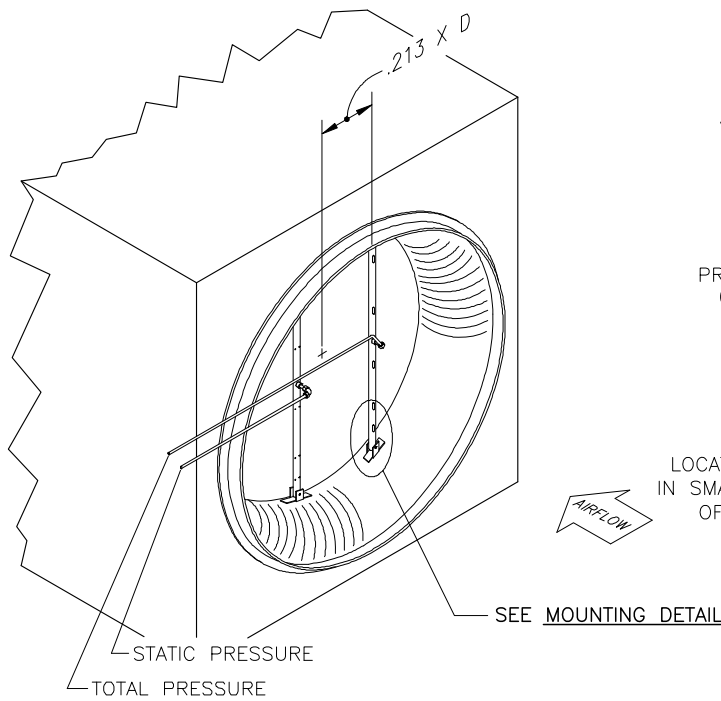
FAN INLET AIRFLOW TRAVERSE PROBE

- PLUG FAN
- FAN INLETS 20" IN DIAMETER AND LARGER

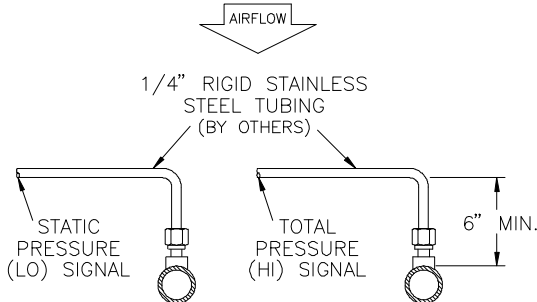
STANDARD CONSTRUCTION

Probe.	3/4" tube for fan inlets 20" to 48" in diameter, 1" tube for fan inlets larger than 48" in diameter. Type 316 stainless steel.
Mounting Brackets.	Type 316 stainless steel.
Connection Fittings.	1/8" FPT, Type 316 stainless steel.
Operating Temperature.	Continuous operation to 900°F.

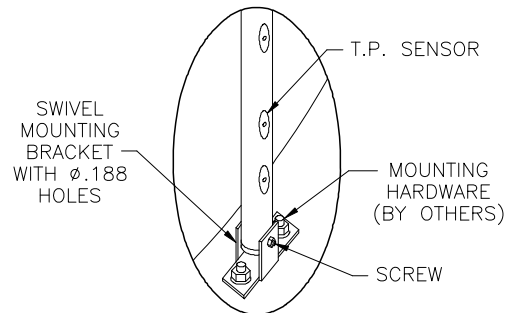
DIMENSIONAL SPECIFICATIONS



INLET SECTION VIEW



SIGNAL CONNECTION DETAIL



MOUNTING DETAIL

