

VOLU-probe / FI-SS

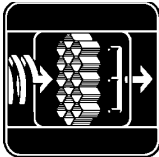
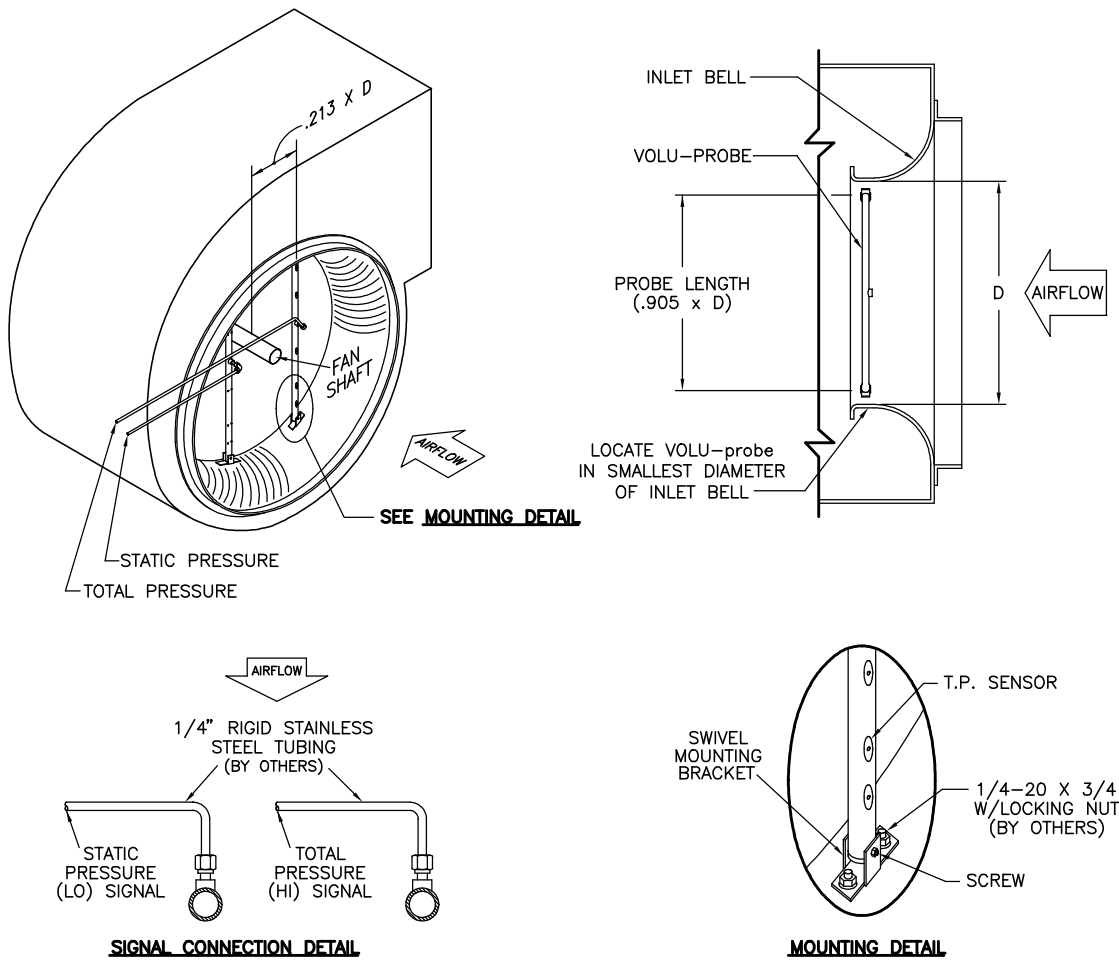
FAN INLET AIRFLOW TRAVERSE PROBE

- SINGLE WIDE, SINGLE INLET
- FAN INLETS 20" IN DIAMETER AND LARGER

STANDARD CONSTRUCTION

Probe.	3/4" tube for fan inlets 20" to 48" in diameter, 1" tube for fan inlets larger than 48" in diameter.
Mounting Brackets.	Type 316 stainless steel.
Connection Fittings.	Type 316 stainless steel.
Operating Temperature.	1/4" FPT, Type 316 stainless steel.
	Continuous operation to 900°F.

DIMENSIONAL SPECIFICATIONS



AIR MONITOR
CORPORATION

P.O. Box 6358 • Santa Rosa, CA 95406 • (707) 544-2706 • (707) 526-2825 Fax