

# CAMM

## COMBUSTION AIRFLOW MANAGEMENT MODULE

**PHYSICAL SPECIFICATIONS**

**Signal Connections.**

High and low pressure, 1/8" FPT.

**Enclosure.**

NEMA 1 aluminum enclosure.

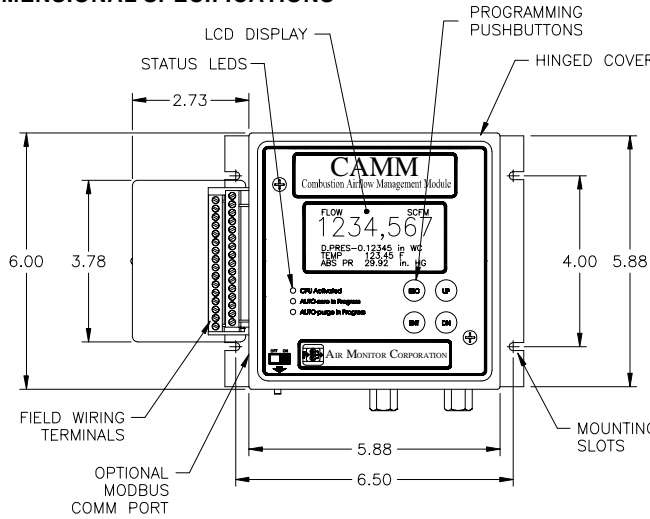
**Electrical Connections.**

External terminal strip with plug-in connectors.

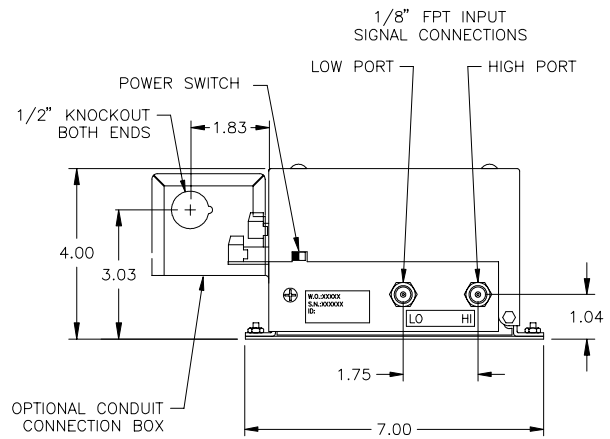
**Weight.**

4.1 lbs.

**DIMENSIONAL SPECIFICATIONS**

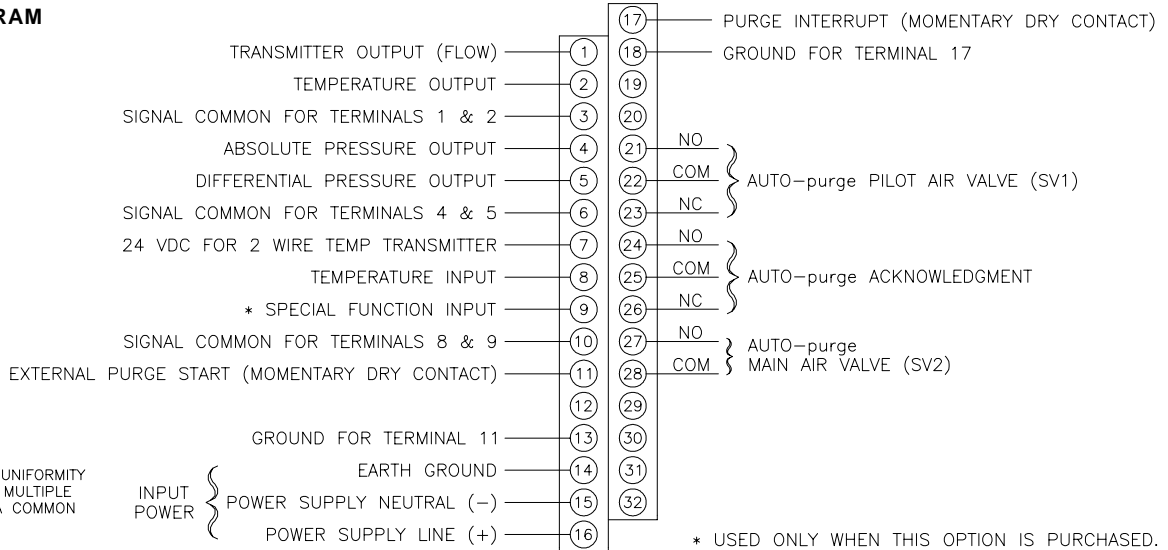


FRONT VIEW



BOTTOM VIEW

**WIRING DIAGRAM**



MAINTAIN POLARITY UNIFORMITY WHEN CONNECTING MULTIPLE TRANSMITTERS TO A COMMON POWER SOURCE.

