

CAMS

COMBUSTION AIRFLOW MANAGEMENT SYSTEM

STANDARD CONSTRUCTION

- Brass and Copper Construction All wetted tubing, fittings, and valves constructed of copper and/or brass. Enclosure is NEMA 4 painted steel. External connection fittings are stainless steel FPT.
- Stainless Steel Construction All wetted tubing, fittings, and valves constructed of 316 stainless steel. Enclosure is NEMA 4 painted steel. External connection fittings are stainless steel FPT.

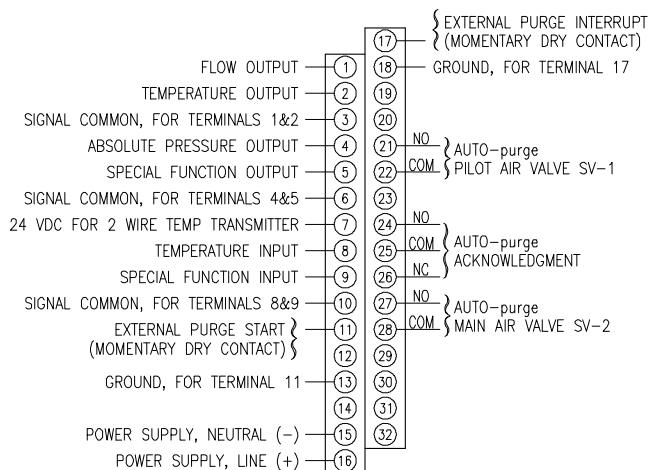
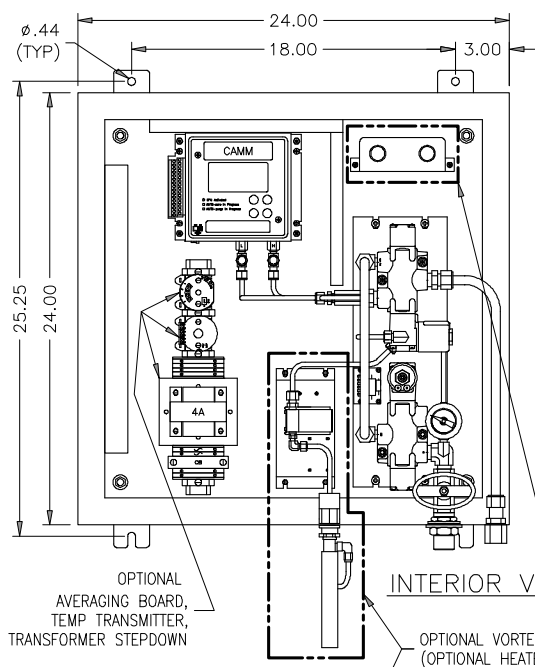
OPTIONAL CONSTRUCTION

- NEMA 4X Stainless Steel Enclosure
- Vortex Cooler. Requires 80-100 psi air supply*
- Enclosure Heater. Requires 120VAC power supply**
- Purge start and/or purge interrupt pushbuttons
 - Panel mounted Door mounted
- Viewing Window

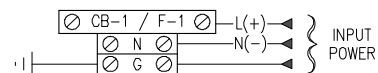
Power Supply	In Rush	Hold
<input type="checkbox"/> 24VAC	85VA	73VA
<input type="checkbox"/> 24VDC	37W	37W
<input type="checkbox"/> 120VAC	106VA	92VA

* Add 21VA in rush, 12VA Hold (8W) for 400 BTUH @ 100 psig ≤ 70°F
 **Add 3.2A @ 120VAC for 400 watt heater

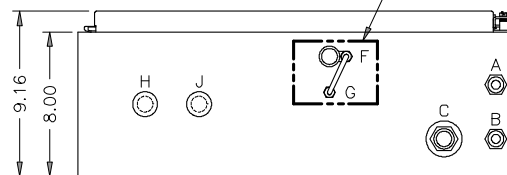
DIMENSIONAL SPECIFICATIONS



CAMM WIRING



FIELD POWER WIRING



BOTTOM VIEW

CONNECTION CODE

A. STATIC PRESSURE (LO) SIGNAL FROM FLOW ELEMENT	1/2" (F)NPT
B. TOTAL PRESSURE (HI) SIGNAL FROM FLOW ELEMENT	1/2" (F)NPT
C. SUPPLY AIR 80 - 125 PSIG	1/2" (F)NPT
D. NOT APPLICABLE	
E. NOT APPLICABLE	
F. VORTEX COOLER MOUNTING HOLE	N/A
G. VORTEX COOLER AIR SUPPLY	N/A
H. ELECTRICAL CONNECTION POWER WIRING	1/2" CONDUIT SEAL
J. ELECTRICAL CONNECTION SIGNAL WIRING	1/2" CONDUIT SEAL



AIR MONITOR CORPORATION

P.O. Box 6358 • Santa Rosa, CA 95406 • (707) 544-2706 • (707) 526-2825 Fax
 www.airmonitor.com • amcsales@airmonitor.com