

# CAMS with Rapid Stop COMBUSTION AIRFLOW MANAGEMENT SYSTEM

### STANDARD CONSTRUCTION

- Brass and Copper Construction

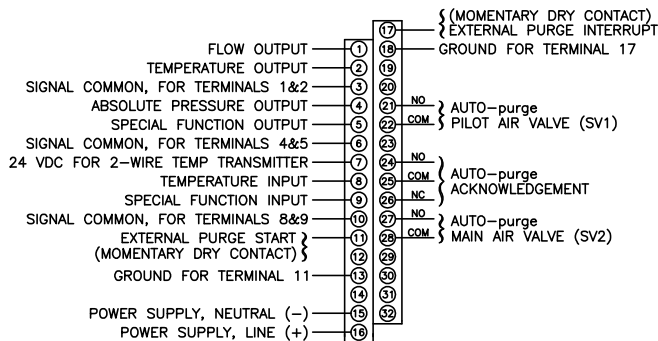
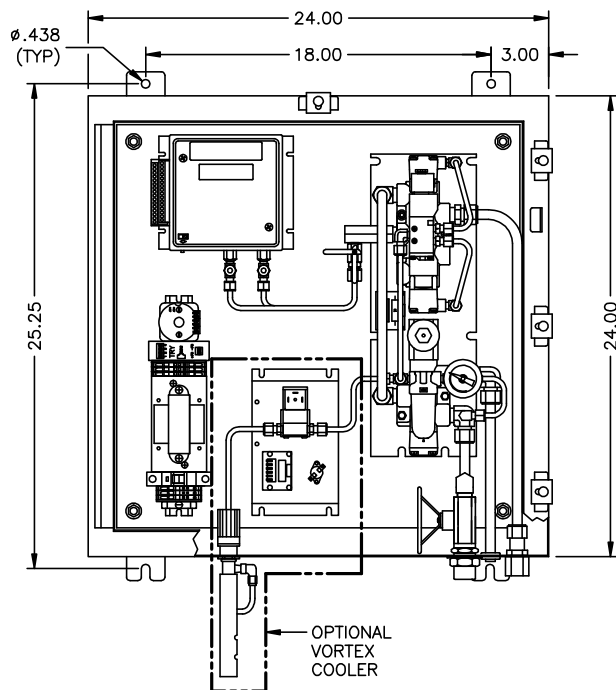
All wetted tubing, fittings, and valves constructed of copper and/or brass.  
Enclosure is NEMA 4 painted steel.  
External connection fittings are stainless steel FPT

### OPTIONAL CONSTRUCTION

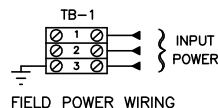
- NEMA 4X Stainless Steel Enclosure
- Vortex Cooler.
- Viewing Window.

- Power Supply**
- 24VAC, 96VA
  - 24VDC, 72VA
  - 120VAC, 192VA

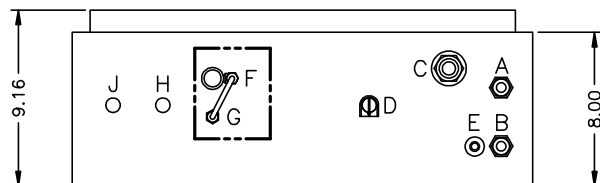
### DIMENSIONAL SPECIFICATIONS



FIELD CAMM WIRING



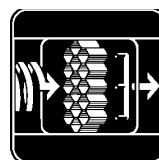
FIELD POWER WIRING



BOTTOM VIEW

**CONNECTION CODE:**

- |  |                       |          |
|--|-----------------------|----------|
| A. STATIC PRESSURE (LO) SIGNAL         | 1/2" FPT              |          |
| B. TOTAL PRESSURE (HI) SIGNAL          | 1/2" FPT              |          |
| C. SUPPLY AIR 80-125 PSIG              | 1/2" FPT              |          |
| D. CABINET VENT                        | VENT FTG.             | OPTIONAL |
| E. RAPID STOP BLEED                    | N/A                   |          |
| F. VORTEX COOLER MOUNTING HOLE         | ø1.125" I.D.          |          |
| G. VORTEX COOLER AIR SUPPLY            | 1/4" FPT              |          |
| H. ELECTRICAL CONNECTION POWER WIRING  | 3/4" K.O. (BY OTHERS) |          |
| J. ELECTRICAL CONNECTION SIGNAL WIRING | 3/4" K.O. (BY OTHERS) |          |



AIR MONITOR  
CORPORATION