

# CAMS – High Capacity COMBUSTION AIRFLOW MANAGEMENT SYSTEM

### STANDARD CONSTRUCTION

- Brass and Copper Construction      All wetted tubing, fittings, and valves constructed of copper and/or brass. Enclosure is NEMA 4 painted steel. External connection fittings are stainless steel FPT.
- Stainless Steel Construction      All wetted tubing, fittings, and valves constructed of 316 stainless steel. Enclosure is NEMA 4 painted steel. External connection fittings are stainless steel FPT.

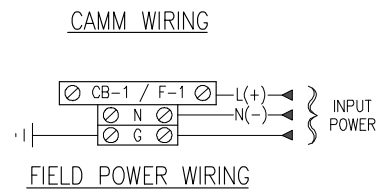
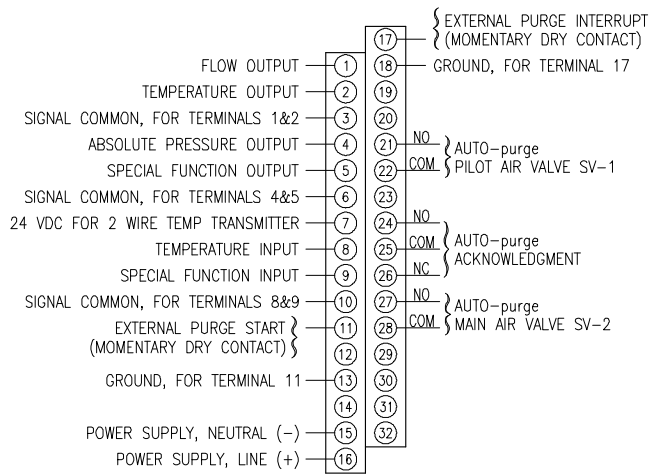
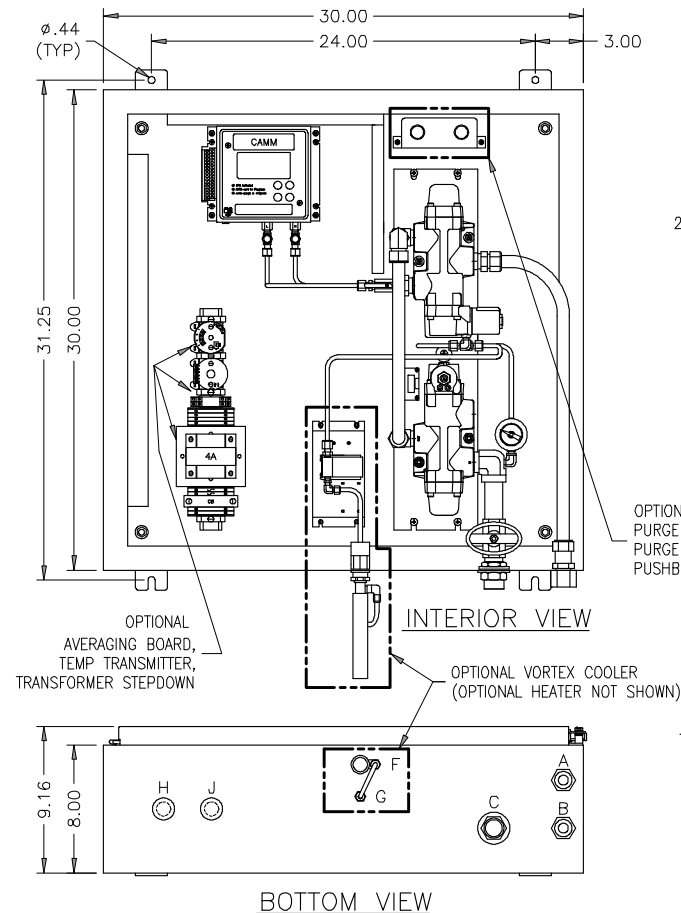
### OPTIONAL CONSTRUCTION

- NEMA 4X Stainless Steel Enclosure
- Vortex Cooler. Requires 80-100 psi air supply\*
- Enclosure Heater. Requires 120VAC power supply\*\*
- Purge start and/or purge interrupt pushbuttons
  - Panel mounted       Door mounted
- Viewing Window

Power Supply	In Rush	Hold
<input type="checkbox"/> 24VAC	85VA	73VA
<input type="checkbox"/> 24VDC	37W	37W
<input type="checkbox"/> 120VAC	106VA	92VA

\* Add 21VA in rush, 12VA Hold (8W) for 400 BTUH @ 100 psig ≤ 70°F  
 \*\*Add 3.2A @ 120VAC for 400 watt heater

### DIMENSIONAL SPECIFICATIONS



**CONNECTION CODE**

A. STATIC PRESSURE (LO) SIGNAL FROM FLOW ELEMENT	3/4" (F)NPT
B. TOTAL PRESSURE (HI) SIGNAL FROM FLOW ELEMENT	3/4" (F)NPT
C. SUPPLY AIR 80 - 125 PSIG	3/4" (F)NPT
D. NOT APPLICABLE	
E. NOT APPLICABLE	
F. VORTEX COOLER MOUNTING HOLE	N/A
G. VORTEX COOLER AIR SUPPLY	N/A
H. ELECTRICAL CONNECTION POWER WIRING	1/2" CONDUIT SEAL
J. ELECTRICAL CONNECTION SIGNAL WIRING	1/2" CONDUIT SEAL



**AIR MONITOR CORPORATION**

P.O. Box 6358 • Santa Rosa, CA 95406 • (707) 544-2706 • (707) 526-2825 Fax  
 www.airmonitor.com • amcsales@airmonitor.com