

# MASS-tron II

## ULTRA-LOW RANGE DIFFERENTIAL PRESSURE/ FLOW TRANSMITTER

**PHYSICAL SPECIFICATIONS**

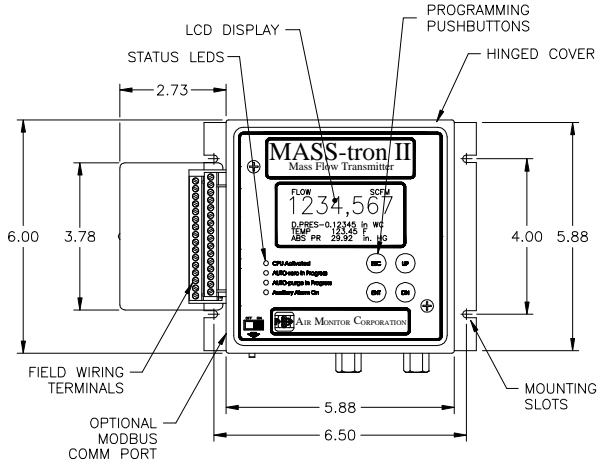
**Signal Connections.** High and low pressure, 1/8" FPT.

**Enclosure.**  
NEMA 1 aluminum enclosure.

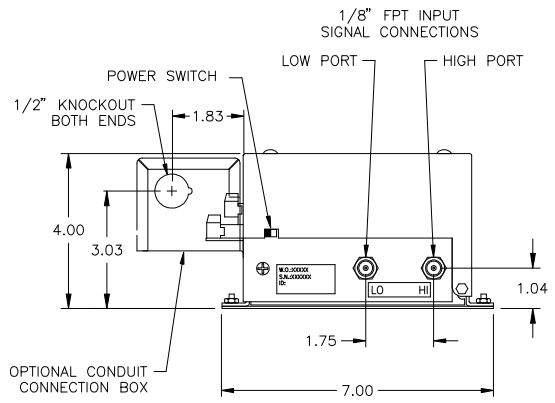
**Electrical Connections.**  
External terminal strip with plug-in connectors.  
Optional terminal strip enclosure with dual 3/4" conduit connections.

**Weight.**  
4.1 lbs.

**DIMENSIONAL SPECIFICATIONS**

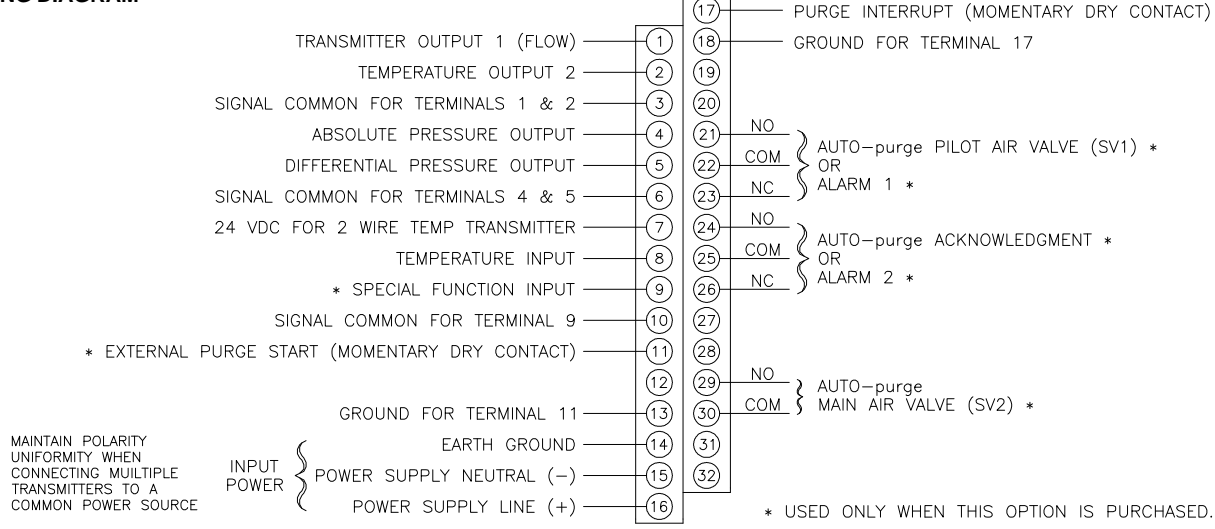


FRONT VIEW



BOTTOM VIEW

**WIRING DIAGRAM**



MAINTAIN POLARITY UNIFORMITY WHEN CONNECTING MULTIPLE TRANSMITTERS TO A COMMON POWER SOURCE

