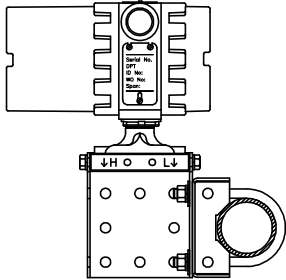


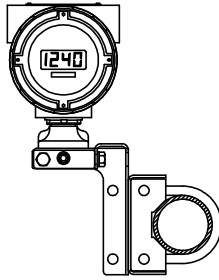
VELTRON DPT-plus

MICROPROCESSOR BASED ULTRA-LOW RANGE PRESSURE, FLOW, AND MASS FLOW INDICATING TRANSMITTER

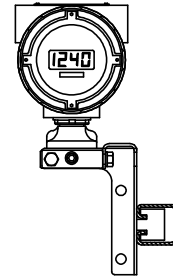
MOUNTING CONFIGURATIONS



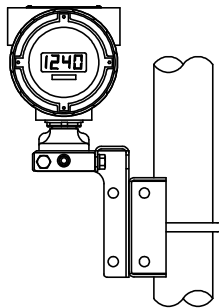
ANGLE MOUNT TO HORIZONTAL PIPE



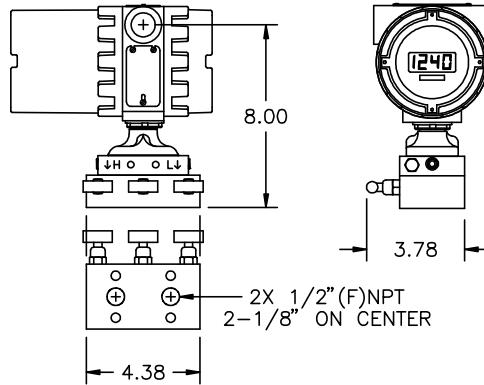
VERTICAL MOUNT TO HORIZONTAL PIPE



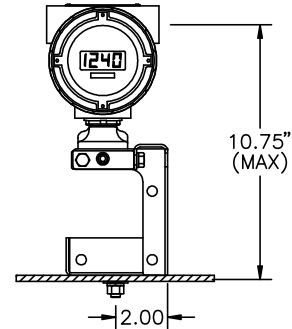
VERTICAL MOUNT TO HORIZONTAL CHANNEL



VERTICAL MOUNT TO VERTICAL PIPE

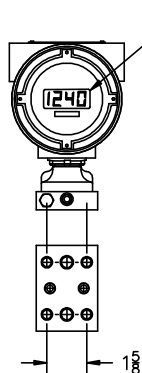


OPTIONAL 3 VALVE MANIFOLD



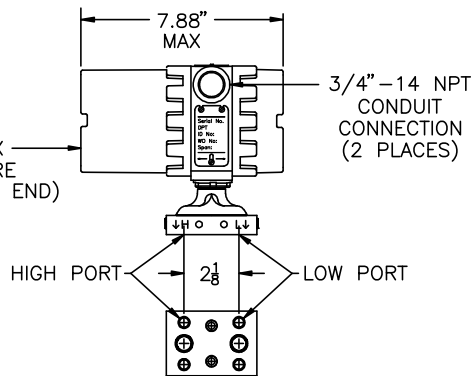
ANGLE MOUNT TO FLAT SURFACE

NOTE: MOUNTING BRACKET KIT INCLUDES 3/8-16 U-BOLTS, NUTS & WASHERS FOR 2" SCH 40 PIPE PLUS 4 BOLTS & WASHERS TO ATTACH THE TRANSMITTER TO THE MOUNTING BRACKET.

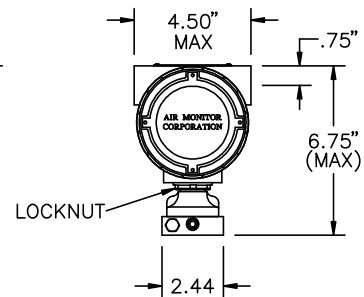


OPTIONAL LCD DISPLAY

NEMA 4X ENCLOSURE (FIELD WIRING END)



1/4"-18 NPT (FOR PRESSURE CONNECTIONS)



LOCKNUT

