

COMPANION MOUNTING PLATE FOR MOUNTING TO ROUND CARBON STEEL DUCTS

STANDARD CONSTRUCTION

Plate. ¼" thick carbon steel plate.
Fasteners. ¼-20 studs, lockwashers, and nuts.
Standoff. Schedule 40 pipe, carbon steel.

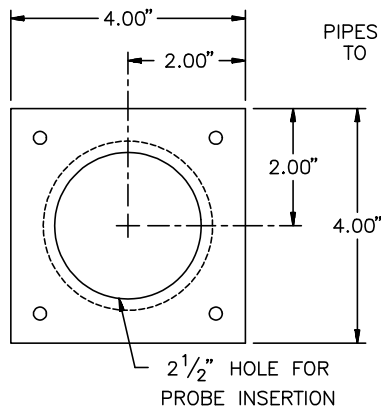
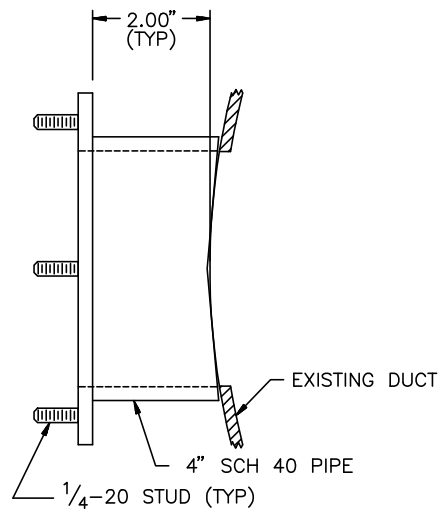
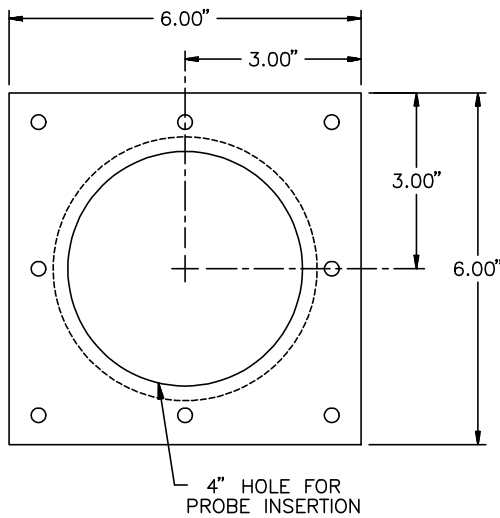
FUNCTION

This extended plate provides a means for mounting stainless steel VOLU-probes to the outside of round ducts.

OPTIONAL SIZES

- ☐ 4" x 4" plate with 2½" Schedule 40 pipe. For probes 12" to 24" long.
- ☐ 6" x 6" plate with 4" Schedule 40 pipe. For probes > 24" to 240" long.

DIMENSIONAL SPECIFICATIONS (inches)



PIPES ARE FIELD WELDED
TO OUTSIDE OF DUCT
(TYP)

