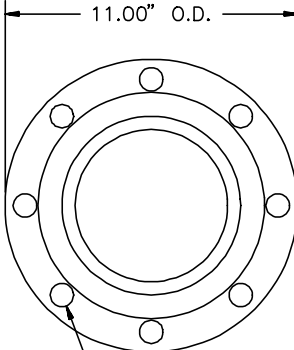
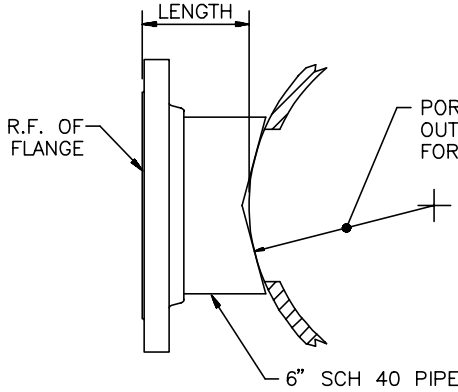
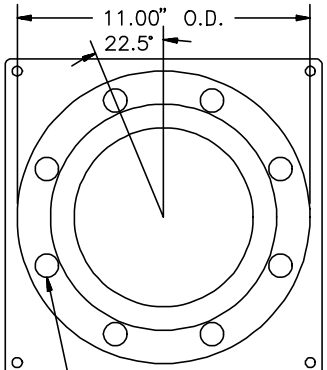
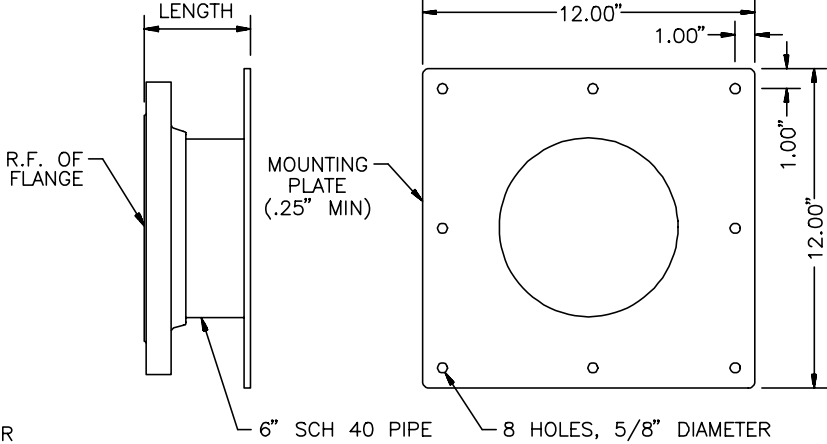


INSERTION PORT STACK-probe INSTALLATION

STANDARD CONSTRUCTION	
Mounting Flange.	6"-150 lb. raised face pipe flange.
Port Body.	6" Schedule 40 pipe.
Probe Mounting Bolts.	¾" x 3½" bolts with nuts, washers, and a ring gasket.
MATERIAL OPTIONS	
<input type="checkbox"/> 316 Stainless Steel	<input type="checkbox"/> Carbon Steel
ORIENTATION OPTIONS	
Length.	Bolt Hole Orientation.
<input type="checkbox"/> 4" standard from O.D. of stack	<input type="checkbox"/> 1-Up
<input type="checkbox"/> Other	<input type="checkbox"/> 2-Up
WELD ON	
 <p style="margin-top: 10px;">8 HOLES, 7/8" DIAMETER ON 9.50 BOLT CIRCLE DIAMETER (1-UP SHOWN)</p>	 <p style="margin-top: 10px;">PORT FIELD CUT TO MATCH OUTSIDE DIAMETER OF STACK, FOR STACKS <math>\phi 32''</math></p>
BOLT ON	
 <p style="margin-top: 10px;">8 HOLES, 7/8" DIAMETER ON 9.50 BOLT CIRCLE DIAMETER (2-UP SHOWN)</p>	 <p style="margin-top: 10px;">MOUNTING PLATE (.25" MIN)</p> <p style="margin-top: 10px;">8 HOLES, 5/8" DIAMETER</p>