

VOLU-probe /1SS with TEMPERATURE SENSOR

EXTERNALLY MOUNTED

STAINLESS STEEL AIRFLOW TRAVERSE PROBE

STANDARD CONSTRUCTION

- Probe.** 1/2", 3/4" or 1" tube sensing manifolds, threaded end support, washer and nut, mounting plate, signal connection fittings, and identification tag, all fabricated of Type 316 stainless steel. Neoprene gaskets included.
- Mounting.** External duct mounted. Threaded end support for probes greater than 18" long.
- Connection Fittings.** 1/2" FPT stainless steel.
- Operating Temperature.** Continuous operation to 900°F.
- Temperature Sensor.** Stainless steel sheath.
- Temperature J-Box.** NEMA 4 cast aluminum.
- Temperature Transmitter.** 2-wire, 4-20mA output.

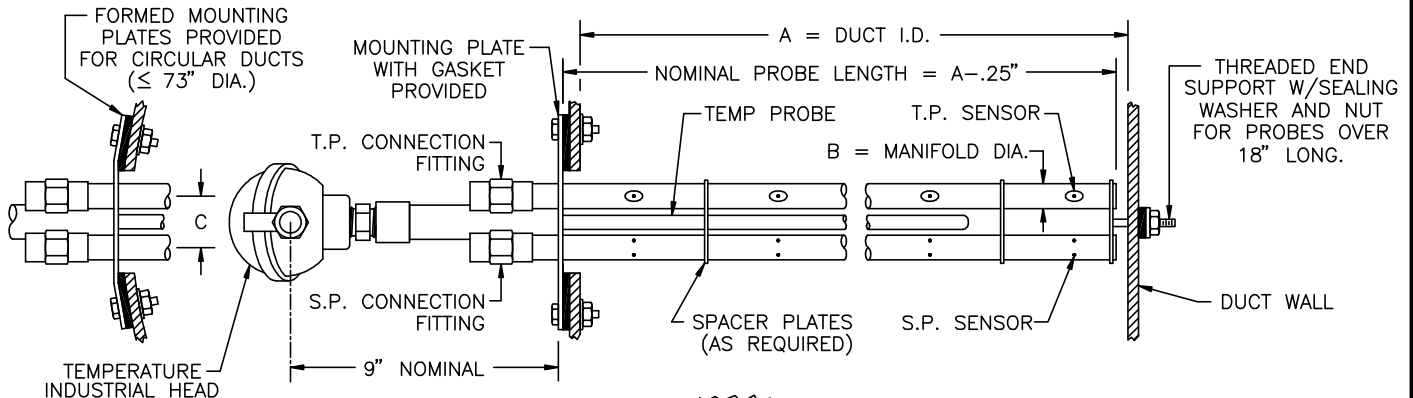
PERFORMANCE SPECIFICATIONS

- Accuracy.** 2-3%; dependent upon quantity and placement of probes to achieve traverse of ducted airflow.
- Outputs.** Individually averaged signals of total and static pressure.
- Operating Velocity.** 400-10,000 FPM.
- Directional Sensitivity.** Not measurably affected by directional airflows and pitch and yaw angles up to 30°.
- Traverse Pattern.** On an equal area basis for rectangular probes. On an equal concentric area basis for circular probes.
- Resistance.** Less than 0.1 times the velocity pressure head at probe operating velocity.

OPTIONAL CONSTRUCTION

- | | | | |
|---|--|---|--|
| <p>Connection Fittings.</p> <ul style="list-style-type: none"> <input type="checkbox"/> 1/4" Compression <input type="checkbox"/> 1/2" Compression | <p>Signal Connection.</p> <ul style="list-style-type: none"> <input type="checkbox"/> Cleanout | <p>Temperature Sensor.</p> <ul style="list-style-type: none"> <input type="checkbox"/> Single-point 100 ohm, platinum RTD. <input type="checkbox"/> Single point thermocouple. <input type="checkbox"/> Multi-point thermocouple. | <p>High Temperature Gasket.</p> <ul style="list-style-type: none"> <input type="checkbox"/> Silicone; 200-400°F. <input type="checkbox"/> Fiber; 400-900°F. |
|---|--|---|--|

DIMENSIONAL SPECIFICATION



DIMENSIONAL CHART					
A"	B"	C"	D"	E"	MOUNTING PLATE
12-24	.50	1.50	2.50	.31	4" x 4"
>24-120	.75	2.00	4.00	.38	6" x 6"
>120-240	1.00	2.25	4.00	.56	6" x 6"

