

VOLU-probe / 2SS – INDUSTRIAL INTERNALLY MOUNTED STAINLESS STEEL AIRFLOW TRAVERSE PROBE

STANDARD CONSTRUCTION

Probe. 1/2", 3/4" or 1" tube sensing manifolds, mounting plates, signal connection fittings, and identification tag, all fabricated of Type 316 stainless steel.
Mounting. Internal duct mounted. Dual end mounting plates.
Connection Fittings. 1/4" FPT stainless steel for sizes up to 24". 1/2" FPT stainless for sizes > 24".
Operating Temperature. Continuous operation to 900°F.

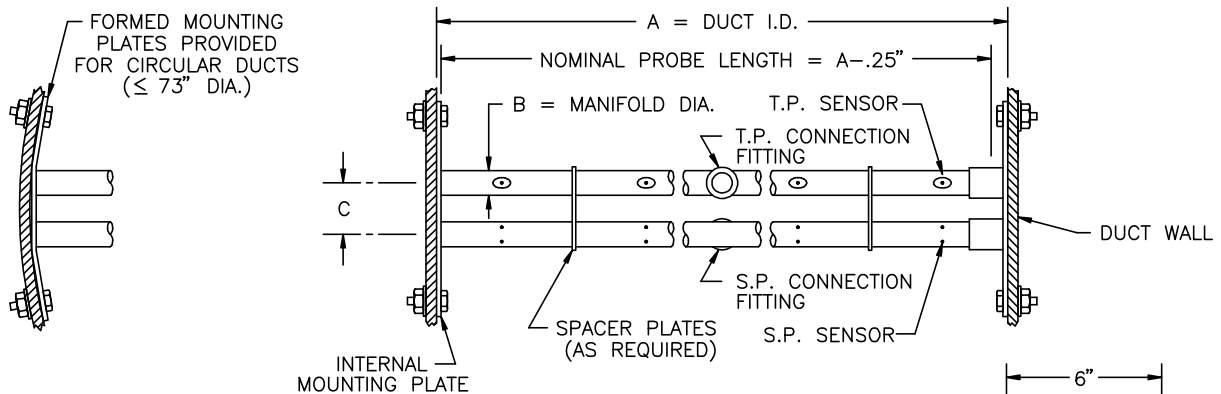
PERFORMANCE SPECIFICATIONS

Accuracy. 2-3%; dependent upon quantity and placement of probes to achieve traverse of ducted airflow.
Outputs. Individually averaged signals of total and static pressure.
Operating Velocity. 400-10,000 FPM.
Directional Sensitivity. Not measurably affected by directional airflows with pitch and yaw angles up to 30°.
Traverse Pattern. On an equal area basis for rectangular probes. On an equal concentric area basis for circular probes.
Resistance. Less than 0.1 times the velocity pressure head at probe operating velocity.

CONNECTION FITTINGS.

- 1/4" Compression
- 1/2" Compression

DIMENSIONAL SPECIFICATIONS



DIMENSIONAL CHART				
A"	B"	C"	MOUNTING PLATE	CONNECTION FITTING SIZE
12-24	.50	1.50	4" x 4"	1/4" FPT
>24-120	.75	2.00	6" x 6"	1/2" FPT
>120-240	1.00	2.25	6" x 6"	1/2" FPT

