

CAMS

COMBUSTION AIRFLOW MANAGEMENT SYSTEM

STANDARD CONSTRUCTION

- Brass and Copper Construction All wetted tubing, fittings, and valves constructed of copper and/or brass. Enclosure is NEMA 4 painted steel. External connection fittings are stainless steel FPT.
- Stainless Steel Construction All wetted tubing, fittings, and valves constructed of 316 stainless steel. Enclosure is NEMA 4 painted steel. External connection fittings are stainless steel FPT.

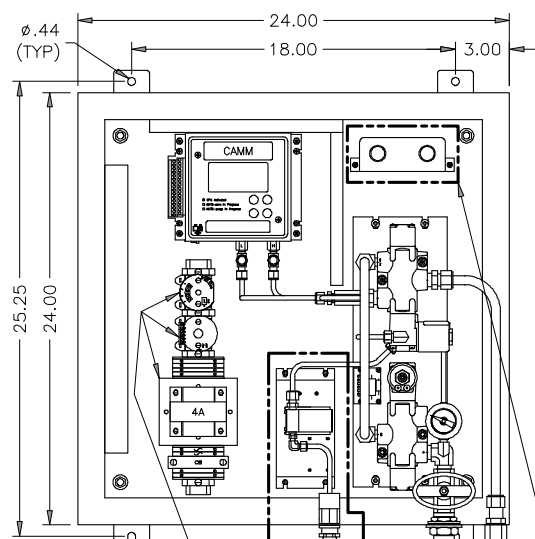
OPTIONAL CONSTRUCTION

- NEMA 4X Stainless Steel Enclosure
- Vortex Cooler. Requires 80-100 psi air supply*
- Enclosure Heater. Requires 120VAC power supply**
- Purge start and/or purge interrupt pushbuttons
 - Panel mounted Door mounted
- Viewing Window

Power Supply	In Rush	Hold
<input type="checkbox"/> 24VAC	85VA	73VA
<input type="checkbox"/> 24VDC	37W	37W
<input type="checkbox"/> 120VAC	106VA	92VA

* Add 21VA in rush, 12VA Hold (8W) for 400 BTUH @ 100 psig ≤ 70°F
 **Add 3.2A @ 120VAC for 400 watt heater

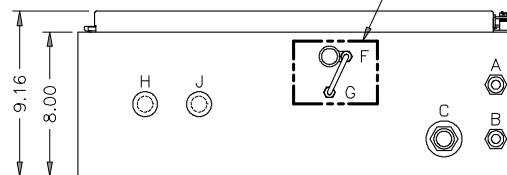
DIMENSIONAL SPECIFICATIONS



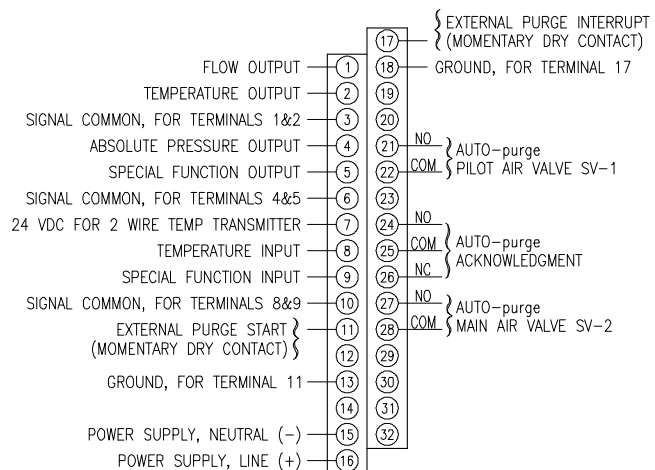
OPTIONAL AVERAGING BOARD, TEMP TRANSMITTER, TRANSFORMER STEPDOWN

INTERIOR VIEW

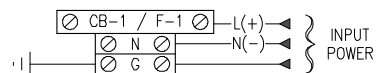
OPTIONAL VORTEX COOLER (OPTIONAL HEATER NOT SHOWN)



BOTTOM VIEW



CMM WIRING



FIELD POWER WIRING

CONNECTION CODE

A. STATIC PRESSURE (LO) SIGNAL FROM FLOW ELEMENT	1/2" (F)NPT
B. TOTAL PRESSURE (HI) SIGNAL FROM FLOW ELEMENT	1/2" (F)NPT
C. SUPPLY AIR 80 - 125 PSIG	1/2" (F)NPT
D. NOT APPLICABLE	
E. NOT APPLICABLE	
F. VORTEX COOLER MOUNTING HOLE	N/A
G. VORTEX COOLER AIR SUPPLY	N/A
H. ELECTRICAL CONNECTION POWER WIRING	1/2" CONDUIT SEAL
J. ELECTRICAL CONNECTION SIGNAL WIRING	1/2" CONDUIT SEAL