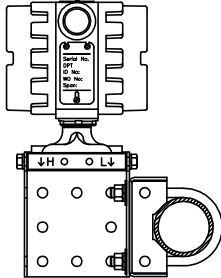


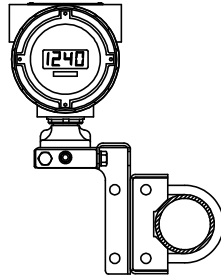
VELTRON DPT

ULTRA-LOW DIFFERENTIAL PRESSURE AND FLOW TRANSMITTER

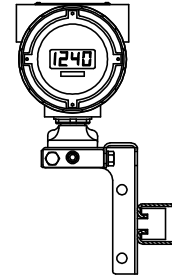
MOUNTING CONFIGURATIONS



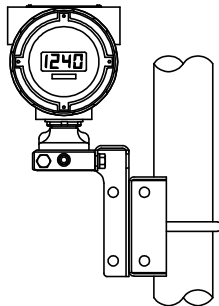
ANGLE MOUNT TO HORIZONTAL PIPE



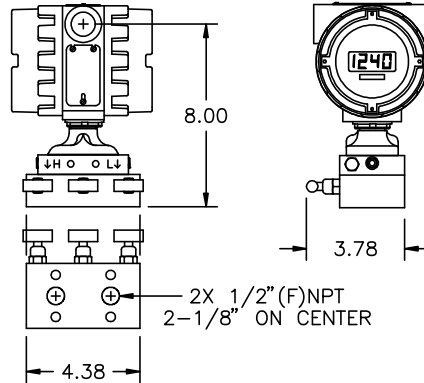
VERTICAL MOUNT TO HORIZONTAL PIPE



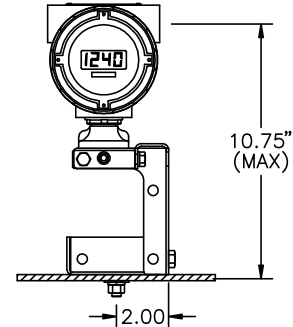
VERTICAL MOUNT TO HORIZONTAL CHANNEL



VERTICAL MOUNT TO VERTICAL PIPE

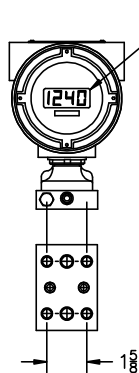


OPTIONAL 3 VALVE MANIFOLD

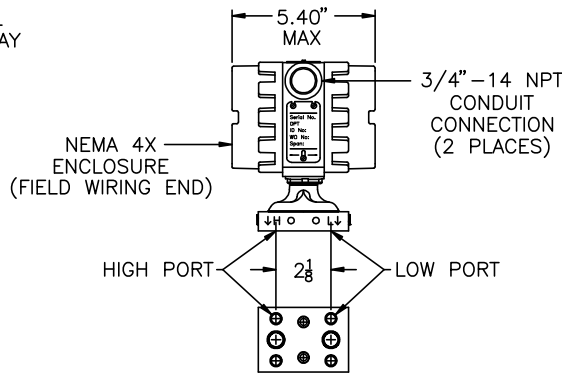


ANGLE MOUNT TO FLAT SURFACE

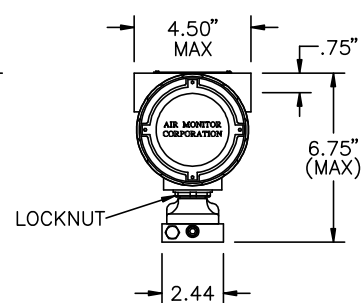
NOTE: MOUNTING BRACKET KIT INCLUDES 3/8-16 U-BOLTS, NUTS & WASHERS FOR 2" SCH 40 PIPE PLUS 4 BOLTS & WASHERS TO ATTACH THE TRANSMITTER TO THE MOUNTING BRACKET.



OPTIONAL
LCD DISPLAY



1/4" - 18 NPT (FOR PRESSURE CONNECTIONS)



LOCKNUT