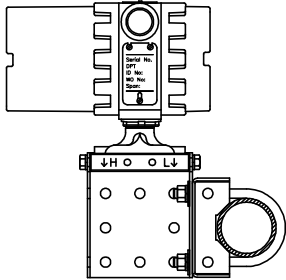


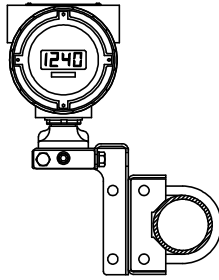
# VELTRON DPT-plus

## MICROPROCESSOR BASED ULTRA-LOW RANGE PRESSURE, FLOW, AND MASS FLOW INDICATING TRANSMITTER

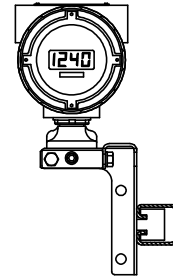
**MOUNTING CONFIGURATIONS**



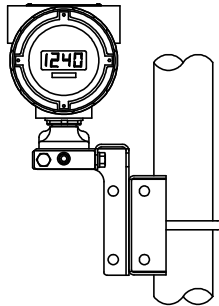
ANGLE MOUNT TO HORIZONTAL PIPE



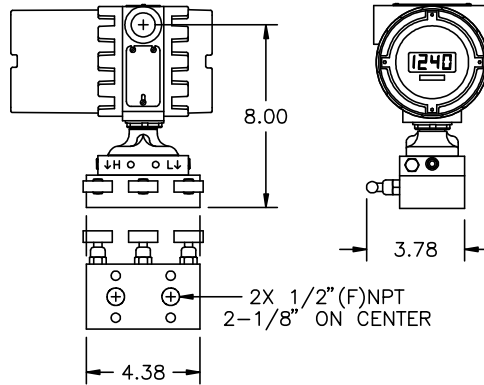
VERTICAL MOUNT TO HORIZONTAL PIPE



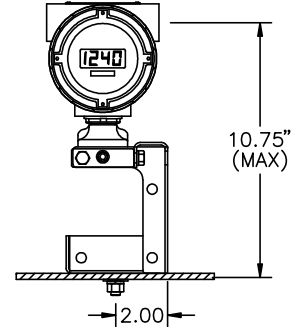
VERTICAL MOUNT TO HORIZONTAL CHANNEL



VERTICAL MOUNT TO VERTICAL PIPE

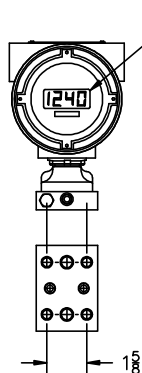


OPTIONAL 3 VALVE MANIFOLD



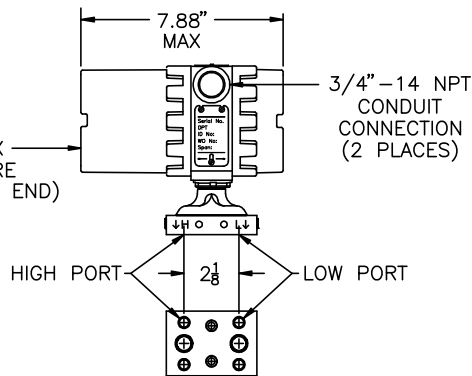
ANGLE MOUNT TO FLAT SURFACE

NOTE: MOUNTING BRACKET KIT INCLUDES 3/8-16 U-BOLTS, NUTS & WASHERS FOR 2" SCH 40 PIPE PLUS 4 BOLTS & WASHERS TO ATTACH THE TRANSMITTER TO THE MOUNTING BRACKET.

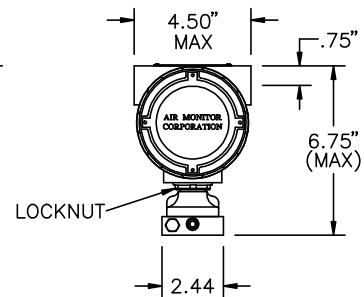


OPTIONAL LCD DISPLAY

NEMA 4X ENCLOSURE (FIELD WIRING END)



1/4"-18 NPT (FOR PRESSURE CONNECTIONS)



LOCKNUT