

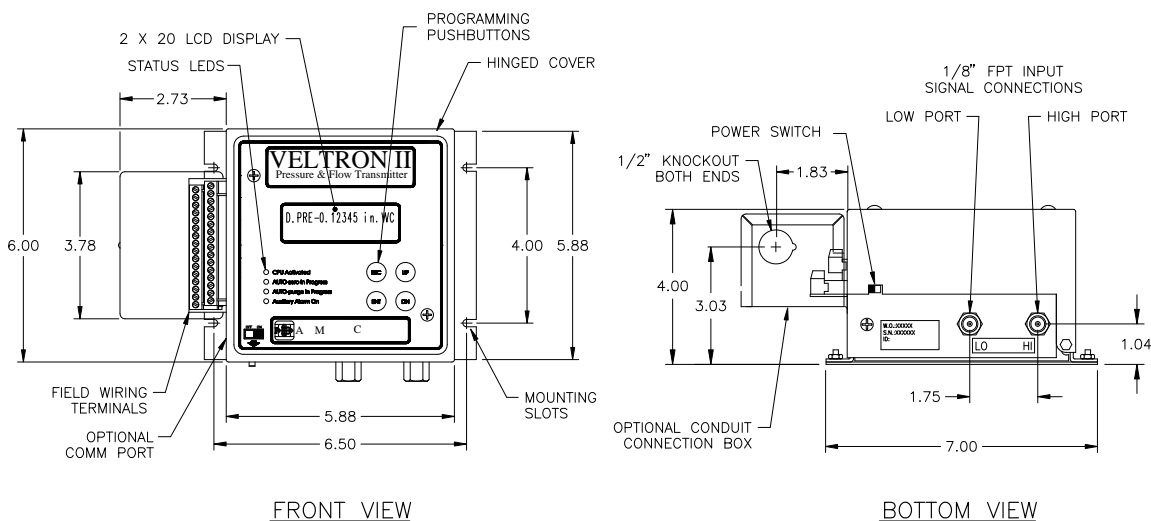
VELTRON II

ULTRA-LOW RANGE DIFFERENTIAL PRESSURE/ FLOW TRANSMITTER

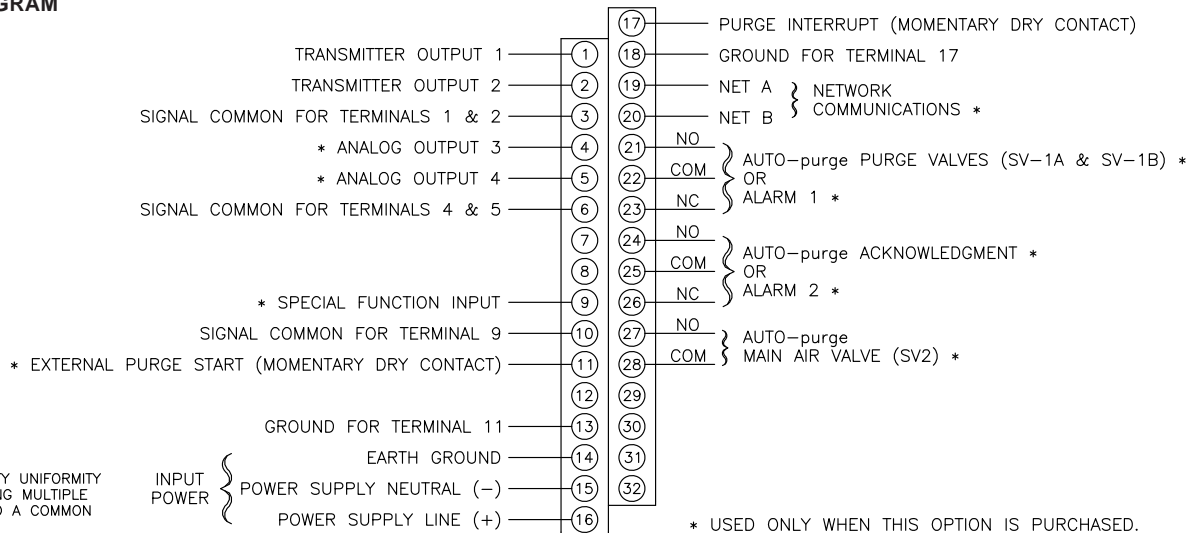
PHYSICAL SPECIFICATIONS

- Signal Connections.** High and low pressure, 1/8" FPT.
- Electrical Connections.** External terminal strip with plug-in connectors. Optional terminal strip enclosure with dual 3/4" conduit connections.
- Enclosure.** NEMA 1 aluminum enclosure.
- Weight.** 4.1 lbs.

DIMENSIONAL SPECIFICATIONS



WIRING DIAGRAM



MAINTAIN POLARITY UNIFORMITY WHEN CONNECTING MULTIPLE TRANSMITTERS TO A COMMON POWER SOURCE.