

AUTO-purge III with Integral Transmitter

STANDARD CONSTRUCTION

Brass and Copper Construction

All wetted tubing, fittings, and valves constructed of copper and/or brass.
Enclosure is NEMA 4 painted steel.
External connection fittings are stainless steel FPT.

OPTIONAL CONSTRUCTION

- NEMA 4X Stainless Steel Enclosure
- Vortex Cooler.
- Viewing window.
- Heater

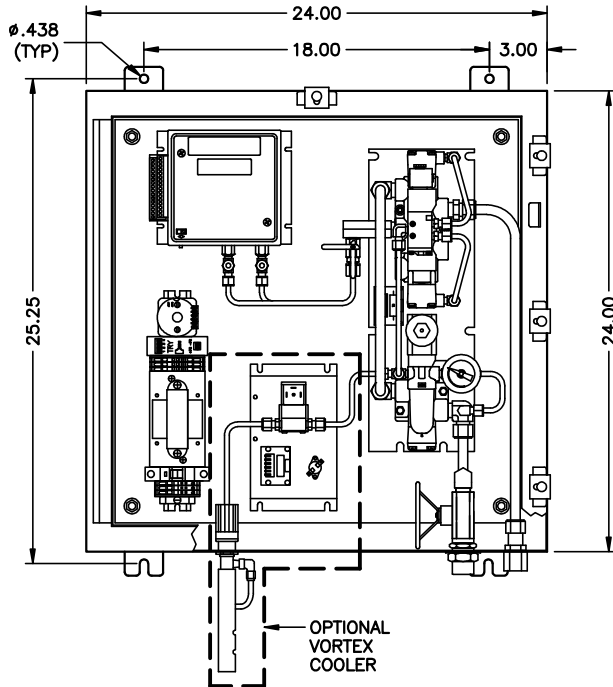
Power Supply (check one)

- 24VAC, 54VA
- 24VDC, 48VA
- 120VAC, 108VA

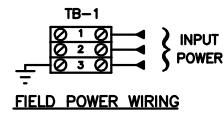
Transmitter Module (check one)

- VELTRON II
- VEL-trol II
- MASS-tron II

DIMENSIONAL SPECIFICATIONS



FOR FIELD WIRING DETAILS,
REFER TO TRANSMITTER
SUBMITTAL SHEET



CONNECTION CODE:

- | | | |
|--|-----------------------|----------|
| A. STATIC PRESSURE (LO) SIGNAL | 1/2" FPT | |
| B. TOTAL PRESSURE (HI) SIGNAL | 1/2" FPT | |
| C. SUPPLY AIR 80-125 PSIG | 1/2" FPT | |
| D. CABINET VENT | VENT FTG. | OPTIONAL |
| F. VORTEX COOLER MOUNTING HOLE | Ø1.125" I.D. | OPTIONAL |
| G. VORTEX COOLER AIR SUPPLY | 1/4" FPT | OPTIONAL |
| H. ELECTRICAL CONNECTION POWER WIRING | 3/4" K.O. (BY OTHERS) | |
| J. ELECTRICAL CONNECTION SIGNAL WIRING | 3/4" K.O. (BY OTHERS) | |

BOTTOM VIEW