

AUTO-purge / CEM

MULTIPLE STACK-probes

STANDARD CONSTRUCTION

Brass and Copper Construction

All wetted tubing, fittings, and valves constructed of copper and/or brass. Enclosure is NEMA 4 painted steel. Lateral probe connection fittings are stainless steel FPT. Main panel is a weatherproof polyolefin umbilical termination. Enclosure heater is included.

Stainless Steel Construction

All wetted tubing, fittings, and valves are constructed of 316 stainless steel. Enclosure is NEMA 4 painted steel. External connection fittings are stainless steel FPT, or weatherproof polyolefin umbilical terminations. Enclosure heater is included.

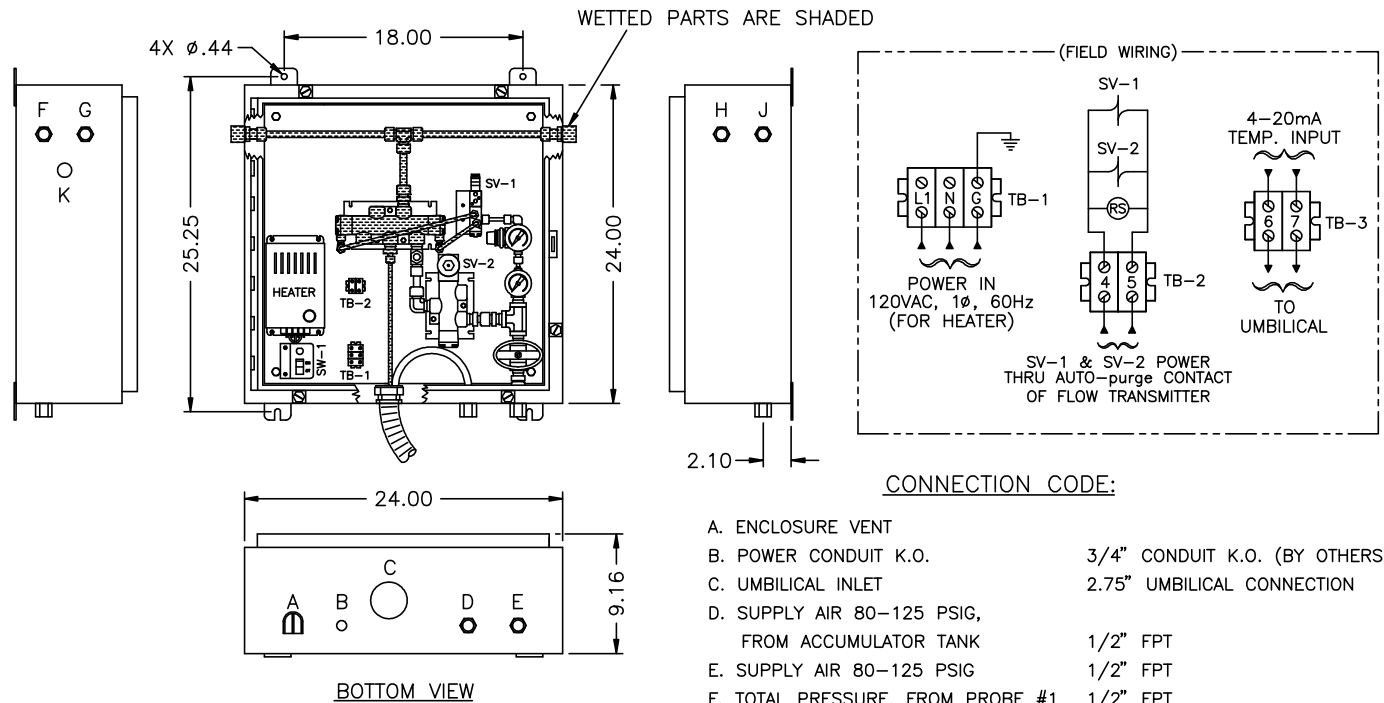
OPTIONAL CONSTRUCTION

- NEMA 4X Stainless Steel Enclosure.
- Venturi Enclosure Cooler.
- Continuous Enclosure Purge.

Main Panel Connector.

- Weatherproof Umbilical (standard).
- Stainless Steel FPT.

DIMENSIONAL SPECIFICATIONS



- | | |
|---|-------------------------------|
| A. ENCLOSURE VENT | |
| B. POWER CONDUIT K.O. | 3/4" CONDUIT K.O. (BY OTHERS) |
| C. UMBILICAL INLET | 2.75" UMBILICAL CONNECTION |
| D. SUPPLY AIR 80-125 PSIG,
FROM ACCUMULATOR TANK | 1/2" FPT |
| E. SUPPLY AIR 80-125 PSIG | 1/2" FPT |
| F. TOTAL PRESSURE, FROM PROBE #1 | 1/2" FPT |
| G. STATIC PRESSURE, FROM PROBE #1 | 1/2" FPT |
| H. STATIC PRESSURE, FROM PROBE #2 | 1/2" FPT |
| J. TOTAL PRESSURE, FROM PROBE #2 | 1/2" FPT |
| K. TEMPERATURE INPUT | 1/2" CONDUIT K.O. (BY OTHERS) |