

ELECTRA-flo/SD

BACNET, MODBUS OUTPUTS

THERMAL AIRFLOW MEASURING SYSTEM

SUBMITTAL SHEET

Models ESD-BAC, ESD-MOD

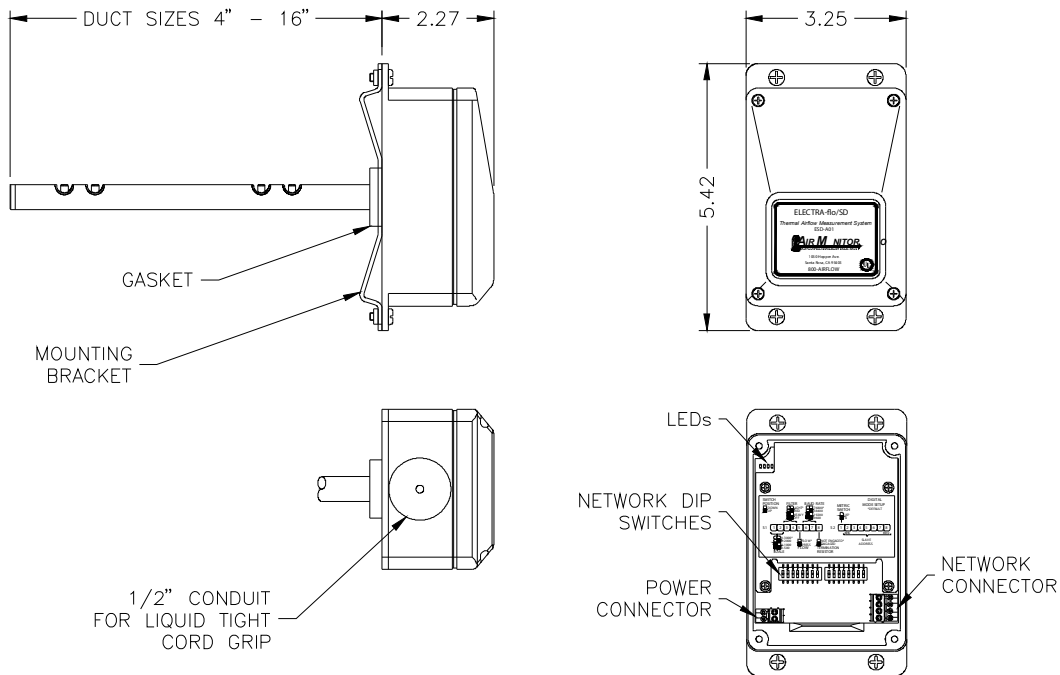
STANDARD CONSTRUCTION

| | |
|-------------------------------|--|
| Probe. | Type 6063 anodized aluminum. (Optional Construction: Type 316 stainless steel) |
| Sensor Housing. | Injection molded polycarbonate. UL94 V-0. |
| Sensor Type. | Surface mount precision thermistor. |
| Sensor Quantity. | 4" probe, one sensor. Probes 5" to 16" long, two sensors. |
| Enclosure. | NEMA 4, injection molded polycarbonate. UL94 V-0. |
| Mounting. | Formed Type 6063 aluminum bracket. |
| Gasket. | Closed cell neoprene, 1/4" thick. |
| Configuration. | By means of 8 DIP switches. |
| Address Selection. | By means of 7 DIP switches. |
| Power Supply. | 24VAC (20-28VAC) or 24VDC (20-40VDC), automatically selected. |
| Power Consumption. | 5VA. |
| Circuit Protection. | Power input is isolated, fused, and reverse polarity protected. BACnet interface is isolated from input power. |
| Baud Rates. | Field selectable for 76800, 38400, 19200 or 9600. |
| Output Scaling. | Field selectable for 0-500, 0-1000, 0-2000 or 0-3000 FPM. |
| Output Filter. | Field selectable – none, light, medium or high. |
| Humidity Limits. | 0-99% RH, non-condensing. |
| Temperature Limits. | -20°F to 140°F at enclosure location. -10°F to 120°F airflow. |
| Electrical Connectors. | Separate power and signal terminal strips with plug-in connectors. |

PERFORMANCE SPECIFICATIONS

| | |
|------------------------------------|---------------|
| Individual Sensor Accuracy. | 2% of reading |
| Airflow Accuracy. | 2-3% of flow |
| Temperature Accuracy. | ±0.1°F |
| Output Resolution. | 0.02% |

DIMENSIONAL INFORMATION



INTERIOR VIEW – NETWORK VERSION