

FAN-Evaluator (FAN-E)

FLAT OVAL CONFIGURATION

BEADED EDGE

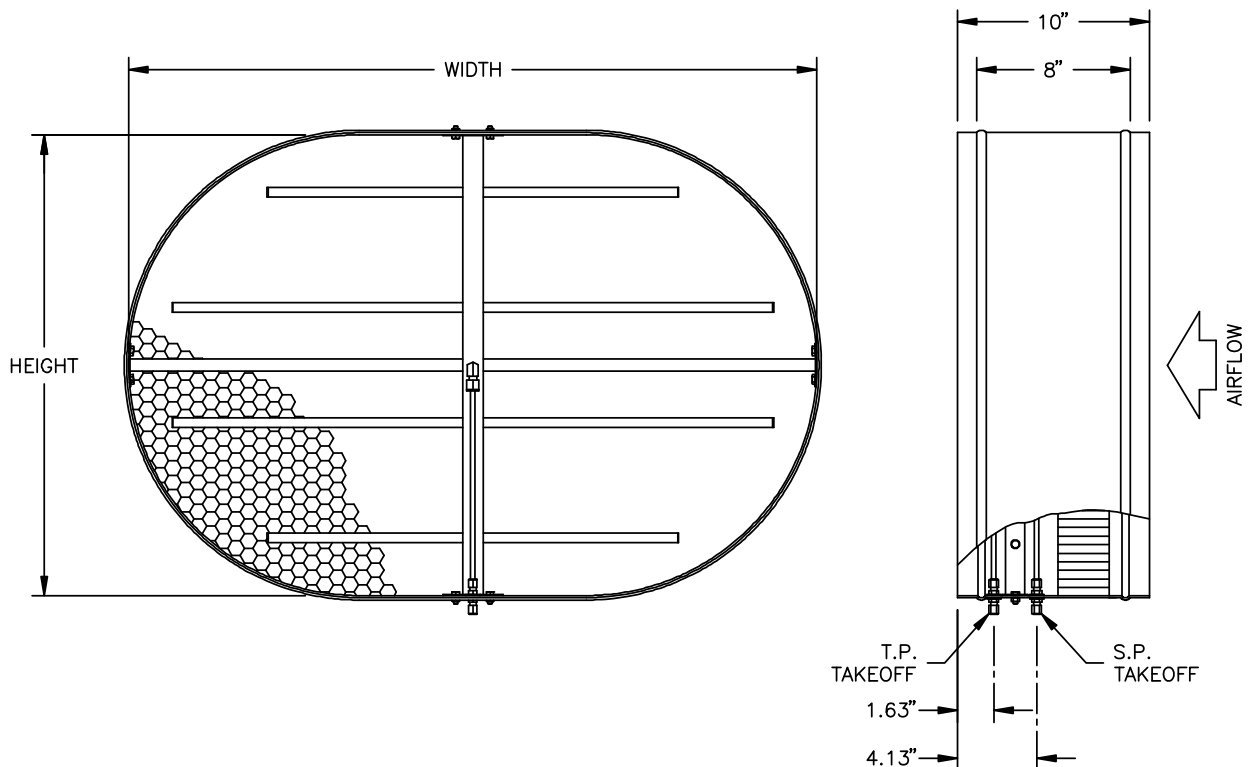
STANDARD CONSTRUCTION

Casing.	18 ga. galvanized sheetmetal, spot welded casing seams.
Flanges.	Beaded edge only available on measuring stations with a height $\geq 8"$, $\leq 24"$.
Air Straightener.	Corrosion resistant 3003 aluminum. 3" deep x 1/2" cell.
Total Pressure Header.	Copper tubing assembled with 50/50 tin/lead solder. Galvanized mounting and support brackets.
Static Pressure Probe.	Copper tubing assembled with 50/50 tin/lead solder.
Casing Depth.	10" deep. 8" from bead-to-bead.
Connection Fittings.	1/4" brass compression type located on the long dimension.
Identification Label.	Paper w/pressure sensitive adhesive (Work Order Number, ID Number, Size, Shape, Station Area).

PERFORMANCE SPECIFICATIONS

Accuracy.	2% when installed per recommended minimum installation requirements.
Outputs.	Individually averaged signals of total and static pressure.
Operating Velocity.	400 - 4000 FPM.
Operating Temperature.	Continuous operation to 200°F.
Directional Sensitivity.	Not measurably affected by directional airflows with pitch and yaw angles up to 30°.
Traverse Pattern.	Log-Tchebycheff rule for rectangular and equal area for circular ducts.
Resistance.	0.3" w.c. @ 4000 FPM.

DIMENSIONAL SPECIFICATIONS



For **OPTIONAL CONSTRUCTION**, refer to Submittal Sheet
"Optional Construction - Stations" - 3.68.0

P.O. Box 6358 • Santa Rosa, CA 95406 • (707) 544-2706 • (707) 526-2825 Fax
 www.airmonitor.com • amcsales@airmonitor.com



AIR MONITOR
CORPORATION