

VOLU-probe/VS STATION – COMMERCIAL CIRCULAR CONFIGURATION BEADED EDGE

SUBMITTAL SHEET



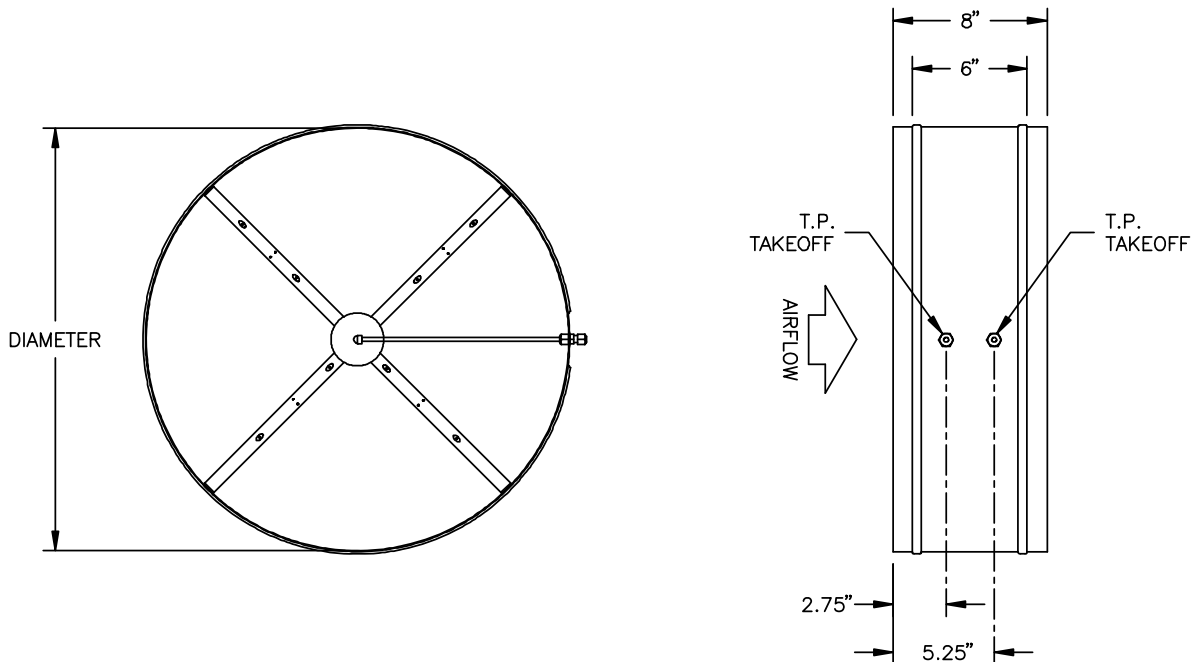
STANDARD CONSTRUCTION

Casing.	18 ga. galvanized sheetmetal, spot welded casing seams.
Flanges.	Beaded edge only available on measuring stations with a diameter $\geq 8"$, $\leq 24"$.
Total Pressure Probes.	Type 6063 extruded aluminum, sealed with silicone RTV.
Static Pressure Probes.	Type 6063 extruded aluminum, sealed with silicone RTV.
Casing Depth.	8" deep. 6" from bead-to-bead.
Connection Fittings.	1/4" brass compression type.
Identification Label.	Paper w/pressure sensitive adhesive (Work Order Number, ID Number, Size, Shape, Station Area, Design Volume if available, System Served if applicable).

PERFORMANCE SPECIFICATIONS

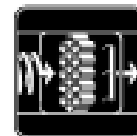
Accuracy.	2% when installed per recommended minimum installation requirements.
Outputs.	Individually averaged signals of total and static pressure.
Operating Velocity.	400 - 4000 FPM.
Operating Temperature.	Continuous operation to 200°F.
Directional Sensitivity.	Not measurably affected by directional airflows with pitch and yaw angles up to 30°.
Traverse Pattern.	Equal area.
Resistance.	0.085" w.c. @ 4000 FPM.

DIMENSIONAL SPECIFICATIONS



For **OPTIONAL CONSTRUCTION**, refer to Submittal Sheet
"Optional Construction - Stations" – 3.68.0

P.O. Box 6358 • Santa Rosa, CA 95406 • (707) 544-2706 • (707) 526-2825 Fax
www.airmonitor.com • amcsales@airmonitor.com



**AIR MONITOR
CORPORATION**