

# VOLU-probe/VS STATION – COMMERCIAL FLAT OVAL CONFIGURATION BEADED EDGE

## SUBMITTAL SHEET



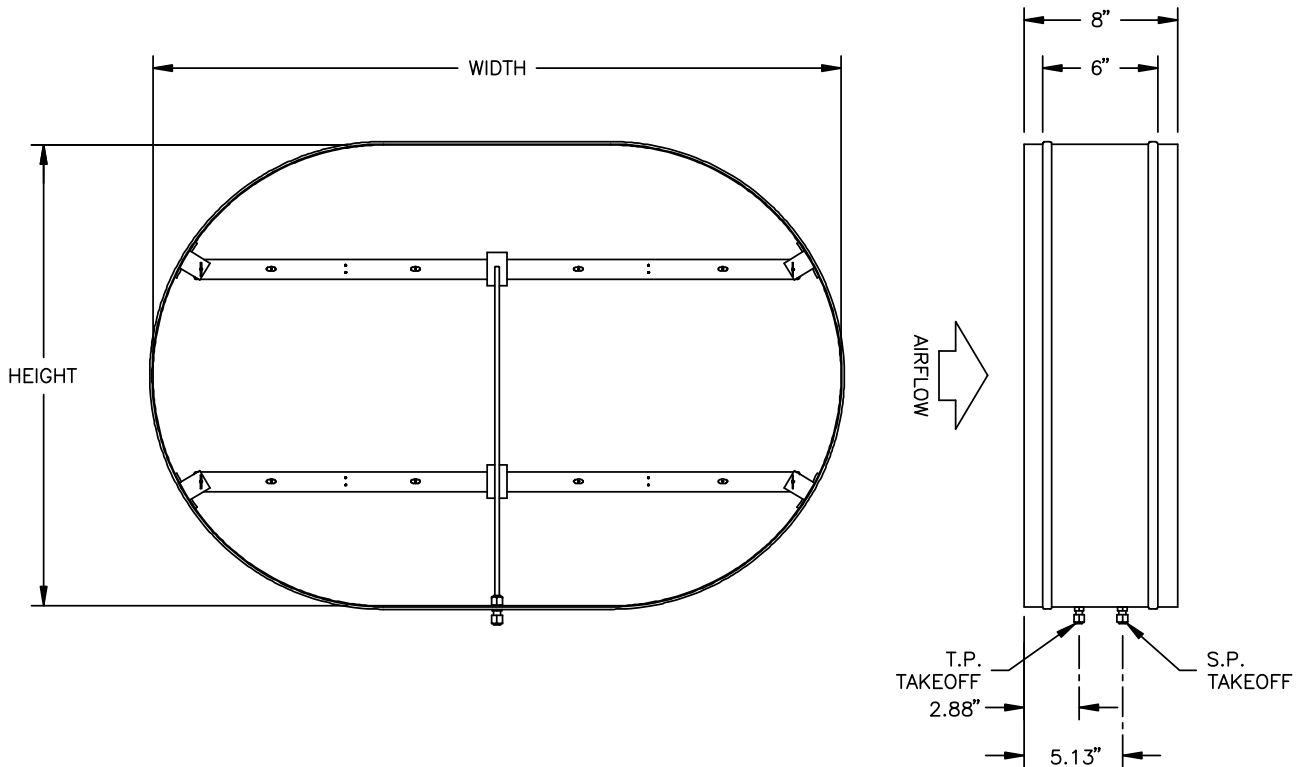
### STANDARD CONSTRUCTION

<b>Casing.</b>	18 ga. galvanized sheetmetal, spot welded casing seams.
<b>Flanges.</b>	Beaded edge available on measuring stations with a height $\geq 8"$ , $\leq 24"$ .
<b>Total Pressure Probes.</b>	Type 6063 extruded aluminum, sealed with silicone RTV.
<b>Static Pressure Probes.</b>	Type 6063 extruded aluminum, sealed with silicone RTV.
<b>Casing Depth.</b>	8" deep. 6" from bead-to-bead.
<b>Connection Fittings.</b>	1/4" brass compression type located on the long dimension.
<b>Identification Label.</b>	Paper w/pressure sensitive adhesive (Work Order Number, ID Number, Size, Shape, Station Area, Design Volume if available, System Served if applicable).

### PERFORMANCE SPECIFICATIONS

<b>Accuracy.</b>	2% when installed per recommended minimum installation requirements.
<b>Outputs.</b>	Individually averaged signals of total and static pressure.
<b>Operating Velocity.</b>	400 - 4000 FPM.
<b>Operating Temperature.</b>	Continuous operation to 200°F.
<b>Directional Sensitivity.</b>	Not measurably affected by directional airflows with pitch and yaw angles up to 30°.
<b>Traverse Pattern.</b>	Equal area.
<b>Resistance.</b>	0.085" w.c. @ 4000 FPM.

### DIMENSIONAL SPECIFICATIONS



For **OPTIONAL CONSTRUCTION**, refer to Submittal Sheet  
"Optional Construction - Stations" – 3.68.0

P.O. Box 6358 • Santa Rosa, CA 95406 • (707) 544-2706 • (707) 526-2825 Fax  
www.airmonitor.com • amcsales@airmonitor.com



**AIR MONITOR  
CORPORATION**