

VOLU-probe/VS STATION – COMMERCIAL CIRCULAR CONFIGURATION – STAINLESS STEEL 90° FLANGE



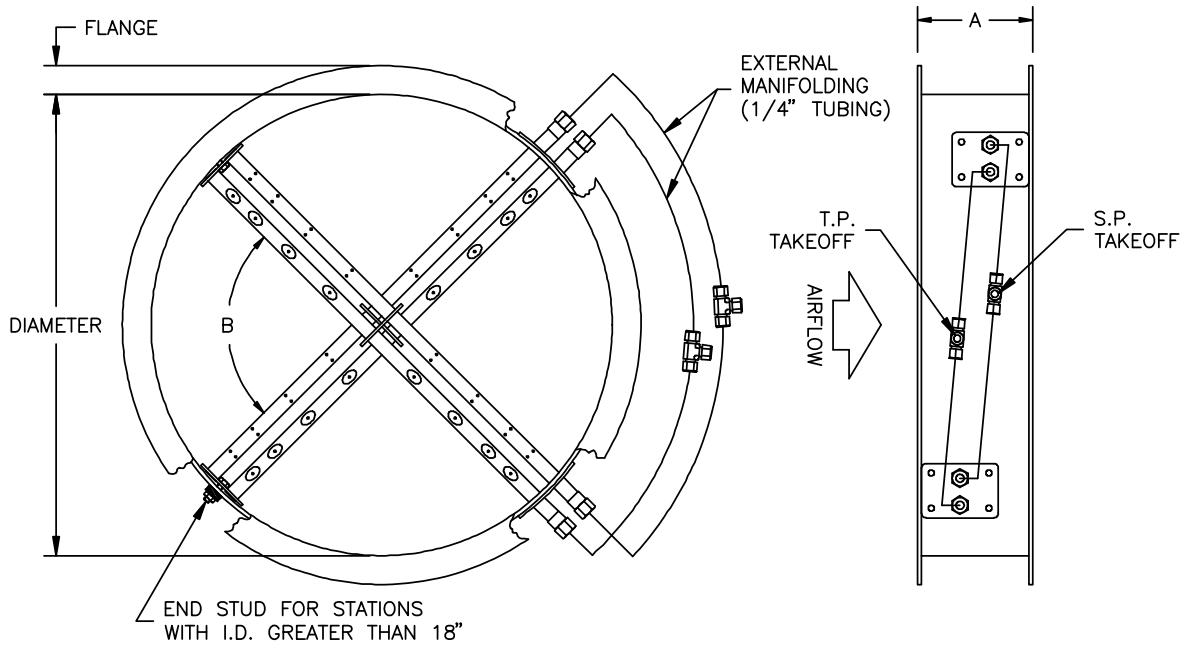
STANDARD CONSTRUCTION

Casing. 14 gauge, Type 316 stainless steel, spot welded casing seams.
Flanges. Diameters $\leq 24"$: 1" flange, 14 ga., Type 316 stainless steel, fusion welded to the casing.
 Diameters $>24"$, $\leq 44"$: 1-1/2" flange, 14 ga., Type 316 stainless steel, fusion welded to the casing.
 Diameters $>44"$: 3/16" x 2", Type 316 stainless steel barstock welded to casing.
Total Pressure Probes. Type 316 stainless steel. Neoprene gaskets.
Static Pressure Probes. Type 316 stainless steel. Neoprene gaskets.
Casing Depth. Refer to chart in "Dimensional Specifications".
Connection Fittings. 1/4" stainless steel compression type.
Identification Label. Stainless steel, tack welded on (Work Order Number, ID Number).

PERFORMANCE SPECIFICATIONS

Accuracy. 2% when installed per recommended minimum installation requirements.
Outputs. Individually averaged signals of total and static pressure.
Operating Velocity. 400 - 4000 FPM.
Operating Temperature. Continuous operation to 200°F.
Directional Sensitivity. Not measurably affected by directional airflows with pitch and yaw angles up to 30°.
Traverse Pattern. Equal area.
Resistance. 0.085" w.c. @ 4000 FPM.

DIMENSIONAL SPECIFICATIONS



DIAMETER	NUMBER OF PROBES	A	B
8" THRU 18"	1	6.00	—
>18" THRU 72"	2	8.00	90°
>72" THRU 120"	3	10.00	60°

For **OPTIONAL CONSTRUCTION**, refer to Submittal Sheet
"Optional Construction - Stations" – 3.68.0

