

ELECTRA-flo/M STATION

THERMAL AIRFLOW MEASURING SYSTEM

CIRCULAR CONFIGURATION

STANDARD CONSTRUCTION	
Casing:	18 ga. galvanized sheet metal, spot welded casing seams.
Flanges:	Diameters ≤ 24": 1" flange, 14 ga. galvanized sheet metal, fusion welded to the casing. Diameters > 24" to ≤ 44": 1-1/2" flange, galvanized sheet metal, fusion welded to the casing. Diameters > 44": 3/16" x 2" carbon steel barstock flange, fusion welded to the casing.
Casing Depth:	Based on probe quantity, see table.
Probe:	ELECTRA-flo probe, Level 1, Level 2, or Level 3. Refer to Submittal Sheet 4.82.00.
Probe Qty./Sensor Density:	Refer to Submittal Sheet 4.80.00.
Probe to Probe Connection:	Integral plenum rated cable with mini-DIN Snap & Lock connector for signal and power. Multiple probes connected serially in daisy chained configuration.
Station to Transmitter Connection:	Integral plenum rated cable with mini-DIN Snap & Lock connector. Standard length 10'.
Sensor Pattern:	On an equal area basis.

PERFORMANCE SPECIFICATIONS	
Individual Sensor Accuracy:	±2% of reading
Station Accuracy:	±2 to 3% of flow when installed per recommended minimum installation requirements
Sensor Temperature Accuracy:	±0.1 °F
Qty. Calibration Points per Sensor:	6
Velocity Calibration Range:	0 to 4000 FPM
Operating Temperature:	-20 °F to 140 °F
Operating Humidity:	0 to 99% RH, non-condensing

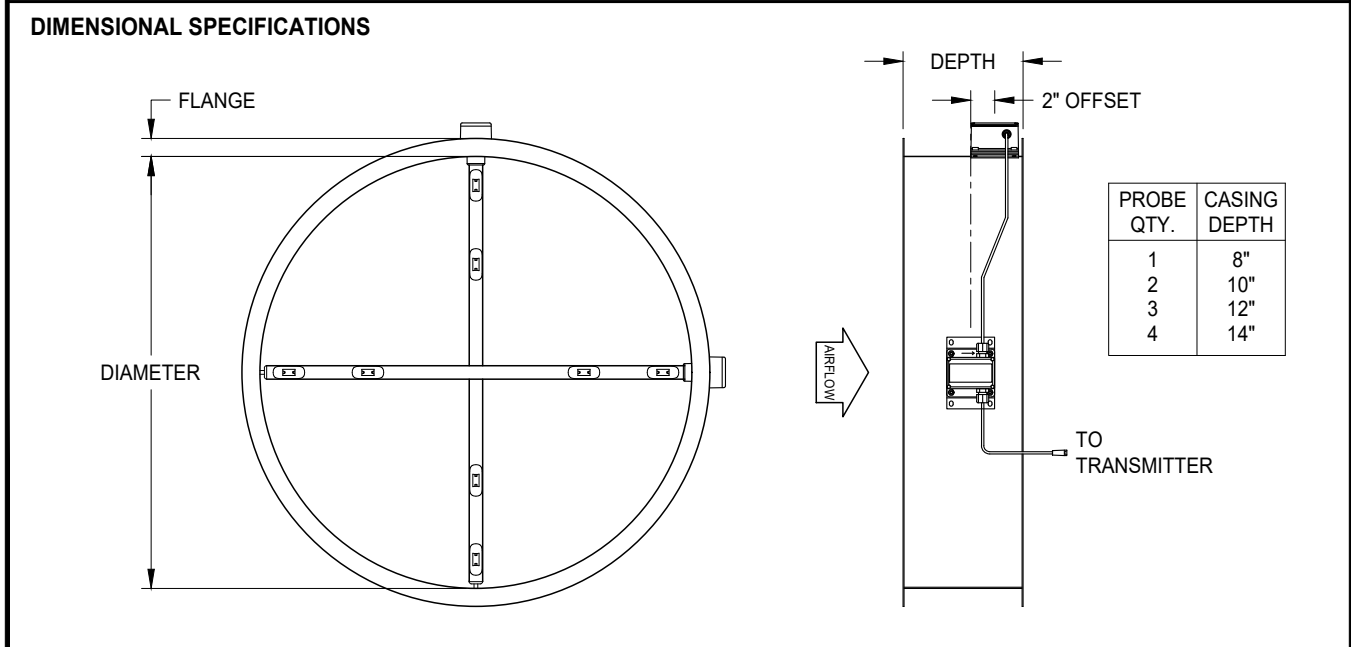
HVAC Applications:

Suitable for use in Ducted Applications including: Supply Air, Return Air, and Outdoor Air.

Refer to manufacturer's instructions regarding minimum recommended installation requirements based on obstruction.

OPTIONAL CONSTRUCTION		
<input type="checkbox"/> Engraved identification tag.	Probe Quantity / Sensor Density:	Station to Transmitter Cable Length:
<input type="checkbox"/> Factory mounted transmitter	<input type="checkbox"/> Level 1 <input type="checkbox"/> Level 2 <input type="checkbox"/> Level 3	<input type="checkbox"/> 10' (default) <input type="checkbox"/> 25' <input type="checkbox"/> 50' <input type="checkbox"/> 100'

ORDER CODE INFORMATION
Refer to Submittal Sheet 4.80.01 for Order Code Information.



P.O. Box 6358, Santa Rosa, CA 95406 (707) 544-2706
www.airmonitor.com hvacsales@airmonitor.com