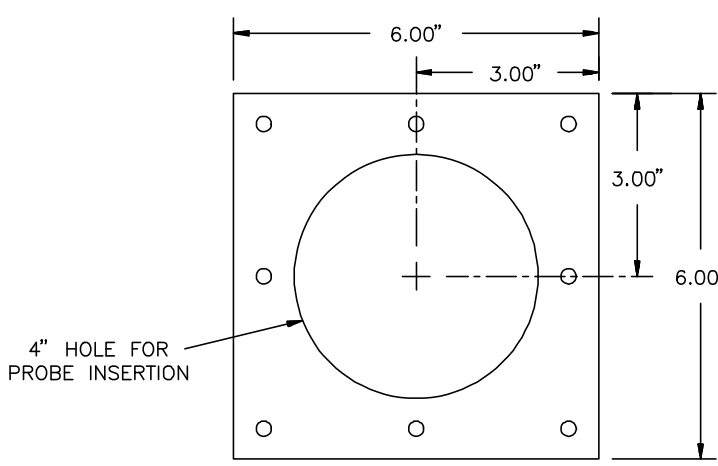
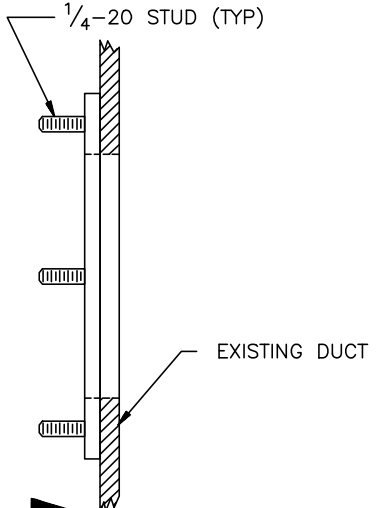
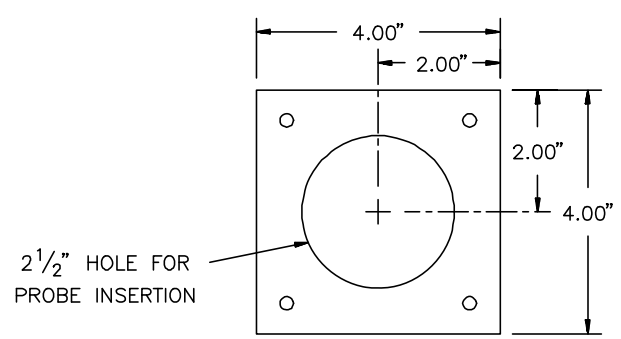
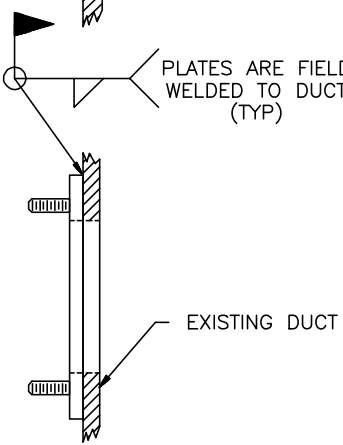


# COMPANION MOUNTING PLATE FOR MOUNTING TO FLAT CARBON STEEL DUCTS

<b>STANDARD CONSTRUCTION</b>	
<b>Plate.</b>	1/4" thick carbon steel plate.
<b>Fasteners.</b>	1/4-20 studs, lockwashers, and nuts.
<b>FUNCTION</b>	
This plate provides a means for mounting stainless steel VOLU-probes to the outside of flat ducts.	
<b>OPTIONAL SIZES</b>	
<input type="checkbox"/> 4" x 4" plate. For probes 12" to 24" long. <input type="checkbox"/> 6" x 6" plate. For probes > 24" to 240" long.	
<b>DIMENSIONAL SPECIFICATIONS (inches)</b>	
 <p>4" HOLE FOR PROBE INSERTION</p>	 <p>1/4-20 STUD (TYP)</p> <p>EXISTING DUCT</p> <p>PLATES ARE FIELD WELDED TO DUCT (TYP)</p>
 <p>2 1/2" HOLE FOR PROBE INSERTION</p>	 <p>EXISTING DUCT</p>

