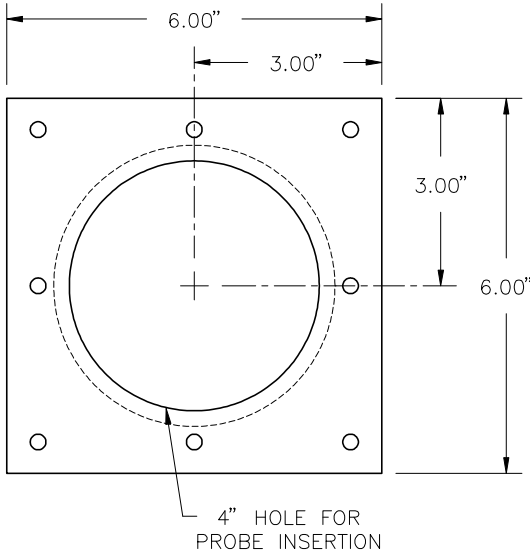
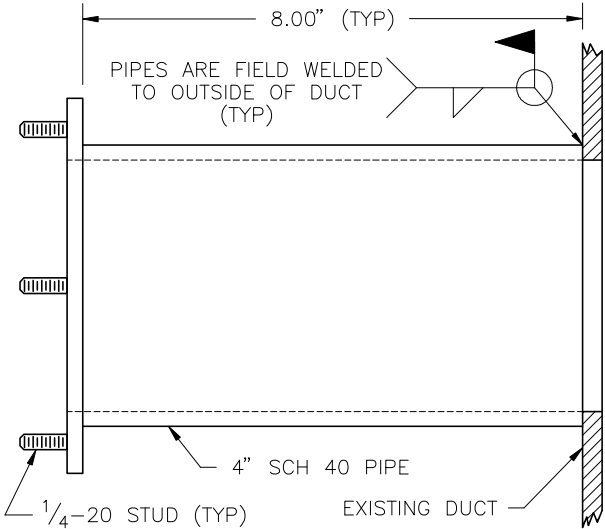
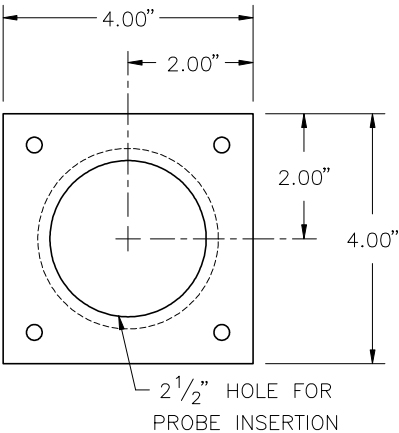
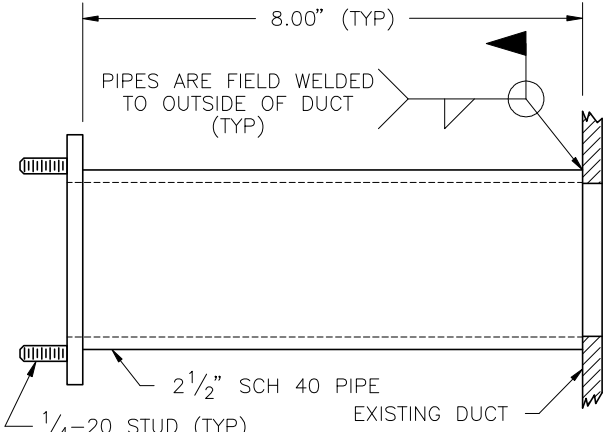


COMPANION MOUNTING PLATE, EXTENDED FOR MOUNTING TO FLAT CARBON STEEL DUCTS

STANDARD CONSTRUCTION	
Plate.	¼" thick carbon steel plate.
Fasteners.	¼-20 studs, lockwashers, and nuts.
Standoff.	Schedule 40 pipe, carbon steel.
FUNCTION	
This extended plate provides a means for mounting stainless steel VOLU-probes to the outside of insulated ducts.	
OPTIONAL SIZES	
<input type="checkbox"/> 4" x 4" plate with 2½" Schedule 40 pipe. For probes 12" to 24" long. <input type="checkbox"/> 6" x 6" plate with 4" Schedule 40 pipe. For probes > 24" to 240" long.	
DIMENSIONAL SPECIFICATIONS (inches)	
 <p style="text-align: center;">4" HOLE FOR PROBE INSERTION</p>	 <p style="text-align: center;">4" SCH 40 PIPE EXISTING DUCT</p>
 <p style="text-align: center;">2½" HOLE FOR PROBE INSERTION</p>	 <p style="text-align: center;">2½" SCH 40 PIPE EXISTING DUCT</p>

