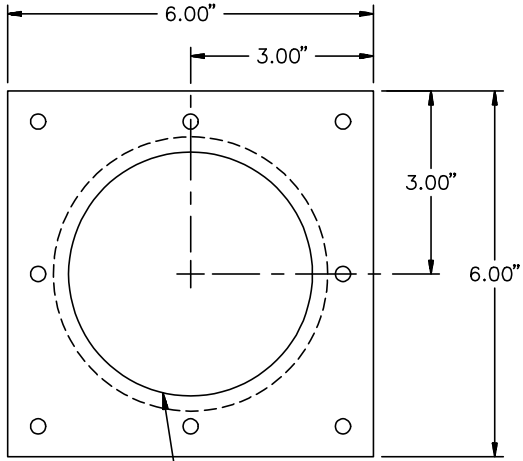
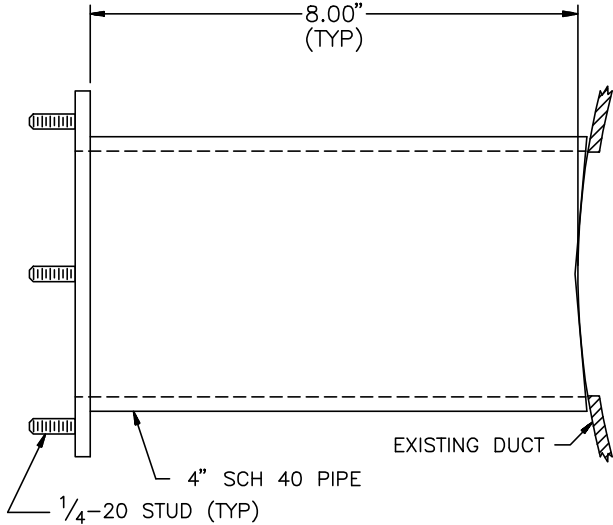
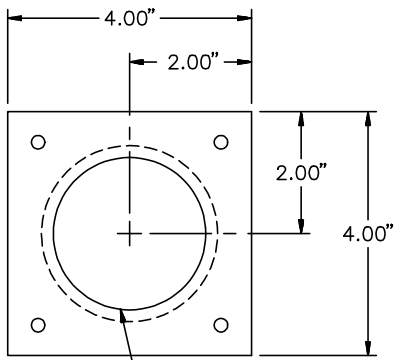


# COMPANION MOUNTING PLATE, EXTENDED FOR MOUNTING TO ROUND CARBON STEEL DUCTS

<b>STANDARD CONSTRUCTION</b>	
<b>Plate.</b>	¼" thick carbon steel plate.
<b>Fasteners.</b>	¼-20 studs, lockwashers, and nuts.
<b>Standoff.</b>	Schedule 40 pipe, carbon steel.
<b>FUNCTION</b>	
This extended plate provides a means for mounting stainless steel VOLU-probes to the outside of insulated ducts.	
<b>OPTIONAL SIZES</b>	
<input type="checkbox"/> 4" x 4" plate with 2½" Schedule 40 pipe. For probes 12" to 24" long. <input type="checkbox"/> 6" x 6" plate with 4" Schedule 40 pipe. For probes > 24" to 240" long.	
<b>DIMENSIONAL SPECIFICATIONS (inches)</b>	
 <p style="text-align: center;">4" HOLE FOR PROBE INSERTION</p>	 <p style="text-align: center;">PIPES ARE FIELD WELDED TO OUTSIDE OF DUCT (TYP)</p>
 <p style="text-align: center;">2½" HOLE FOR PROBE INSERTION</p>	