

SOCKET END SUPPORT BRACKET – INTERNAL FOR MOUNTING INSIDE CARBON STEEL DUCTS

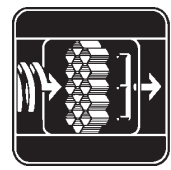
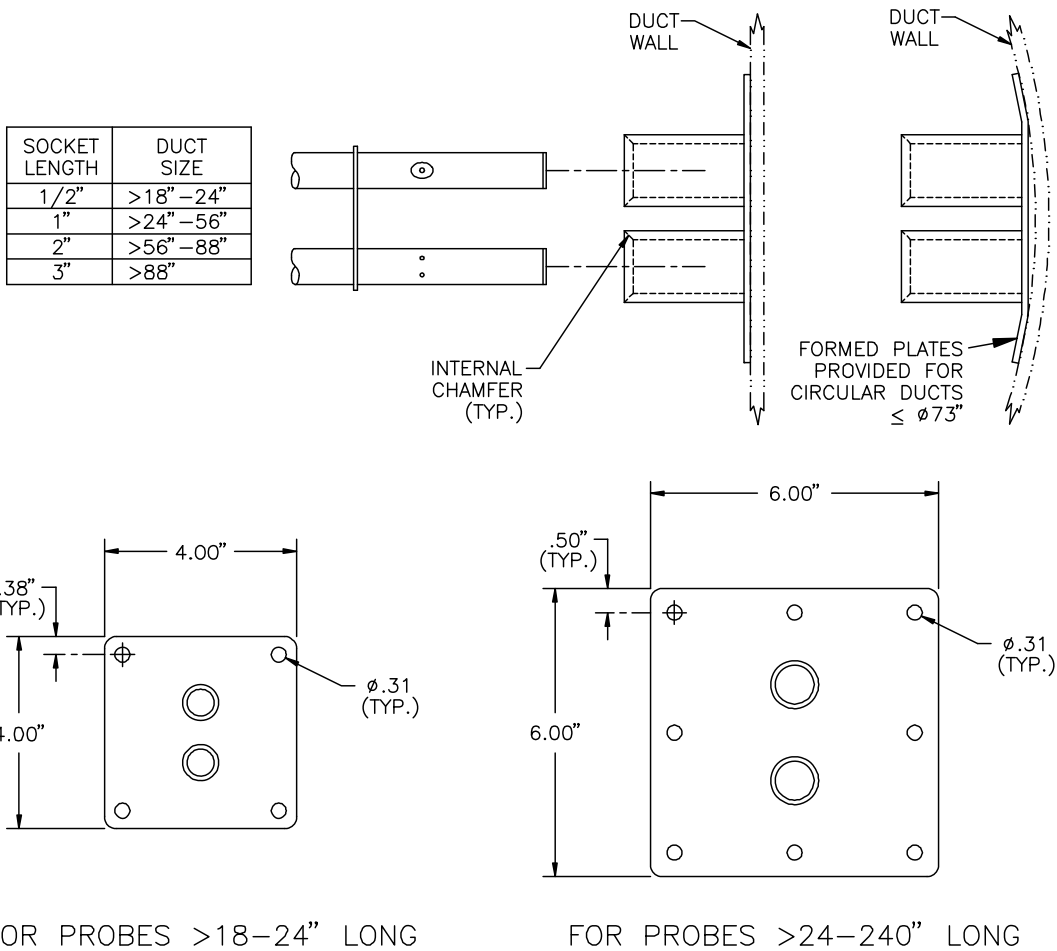
STANDARD CONSTRUCTION

Sockets. Stainless steel tubing.
Plate. 10 ga. (0.135) stainless steel.

FUNCTION

This bracket provides an alternate means for guide-in and securing the end of stainless steel VOLU-probes inside carbon steel ducts. Bracket may be bolted in place or welded directly to duct wall.

DIMENSIONAL SPECIFICATIONS (inches)



AIR MONITOR
CORPORATION