

# SOCKET END SUPPORT BRACKET – EXTERNAL FOR MOUNTING OUTSIDE DUCTS

**STANDARD CONSTRUCTION**

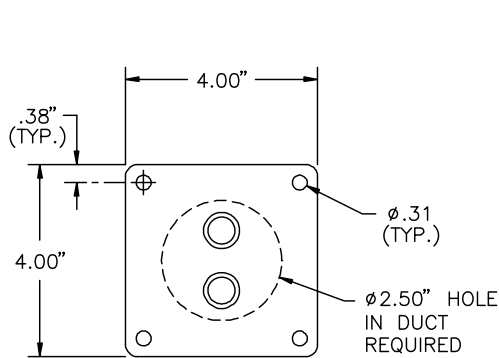
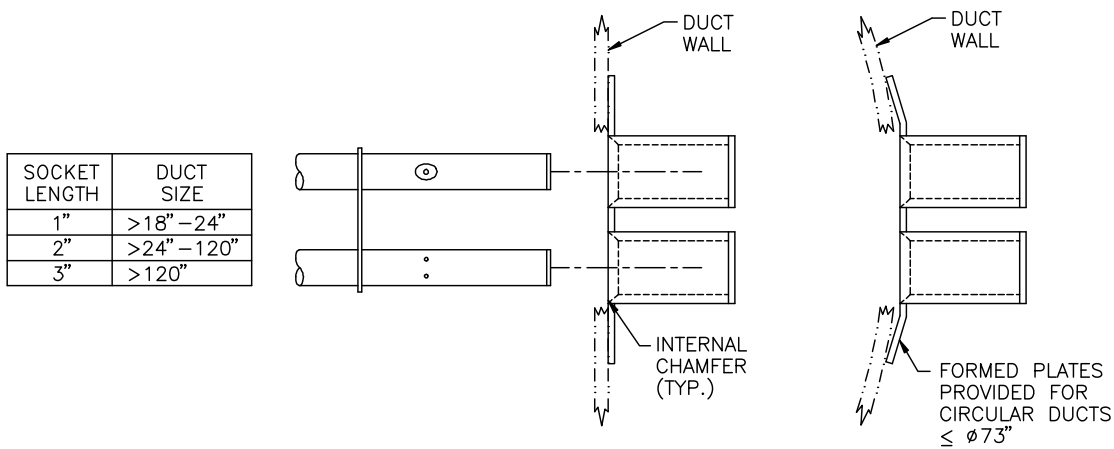
**Sockets.** Stainless steel tubing.  
**Plate.** 10 ga. (0.135) stainless steel.

**FUNCTION**

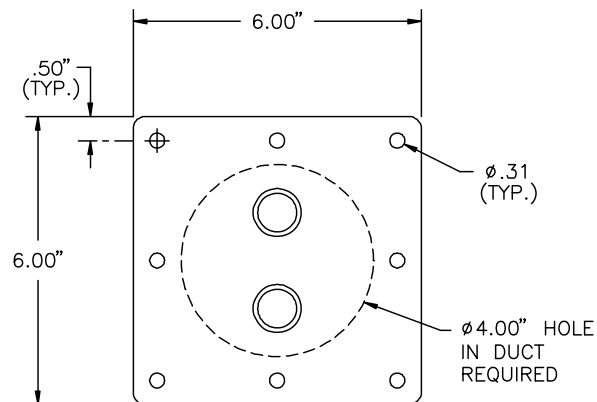
This bracket provides an alternate means for guide-in and securing the end of stainless steel VOLU-probes outside ducts. Bracket may be bolted in place OR welded directly to duct wall. Gasket provided.

- Neoprene (up to 200°F)     
  Silicone (200-400°F)     
  Fiber (400-900°F)

**DIMENSIONAL SPECIFICATIONS (inches)**



FOR PROBES >18–24" LONG



FOR PROBES >24–240" LONG

