

STAT-probe / 1SS – INDUSTRIAL EXTERNALLY MOUNTED STAINLESS STEEL AIRFLOW TRAVERSE PROBE

STANDARD CONSTRUCTION

Probe. 1/2" or 3/4" tube sensing manifold, threaded end support, washer and nut, mounting plate with signal takeoff connection, and identification tag, all fabricated of Type 316 stainless steel.

Mounting. External duct mounted. Threaded end support for probes greater than 18" long.

Mounting Gasket. Neoprene.

Connection Fitting. 1/2" FPT stainless steel.

Operating Temperature. Continuous operation to 900°F.

PERFORMANCE SPECIFICATIONS

Accuracy. 2%; dependent upon placement of probe to achieve traverse of ducted airflow.

Outputs. Averaged signal of static pressure.

Operating Velocity. 0-10,000 FPM.

Directional Sensitivity. Not measurably affected by directional airflows with pitch and yaw angles up to 30°.

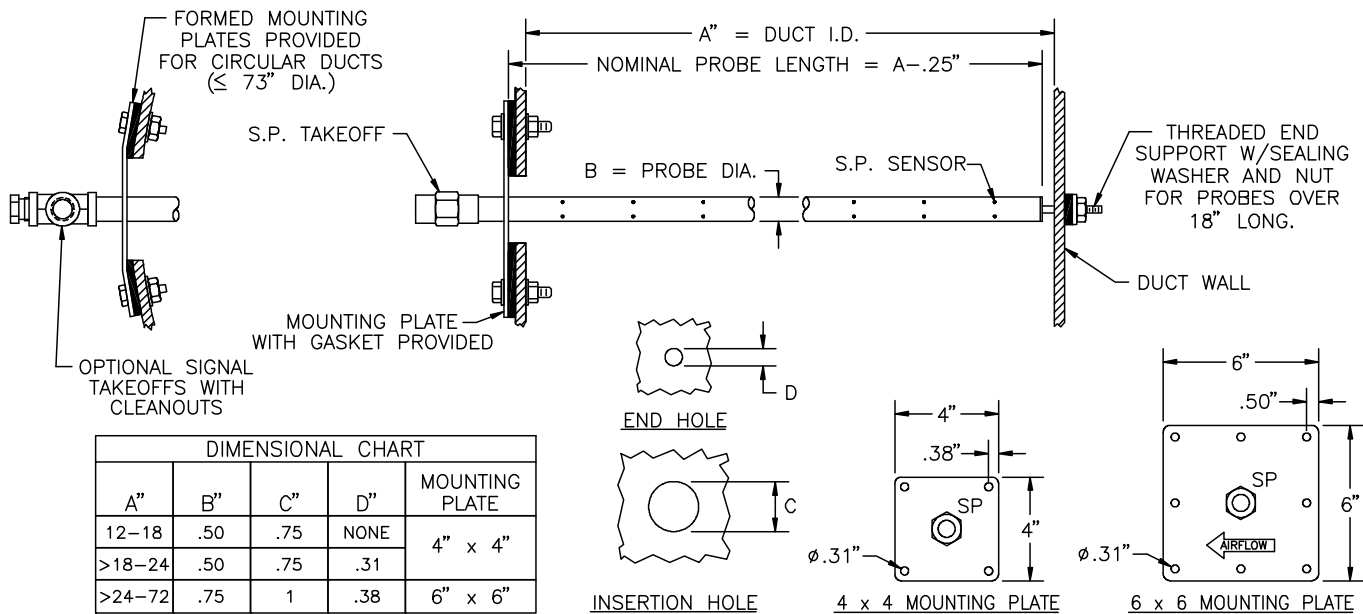
Traverse Pattern. On an equal area basis for rectangular probes. On an equal concentric area basis for circular probes.

Resistance. Less than 0.1 times the velocity pressure head at probe operating velocity.

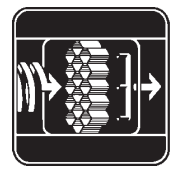
OPTIONAL CONSTRUCTION

- | | | |
|--|--|--|
| <p>Connection Fitting.</p> <ul style="list-style-type: none"> <input type="checkbox"/> 1/4" Compression <input type="checkbox"/> 1/2" Compression | <p>Signal Connection.</p> <ul style="list-style-type: none"> <input type="checkbox"/> Cleanout | <p>150 lb Mounting Flange.</p> <ul style="list-style-type: none"> <input type="checkbox"/> 4" raised face mounting flange, Type 316 stainless steel. |
|--|--|--|
- High Temperature Gaskets.**
- Silicone; for continuous operation between 200°F and 400°F.
 - Fiber; for continuous operation between 400°F and 900°F.

DIMENSIONAL SPECIFICATIONS



DIMENSIONAL CHART				
A"	B"	C"	D"	MOUNTING PLATE
12-18	.50	.75	NONE	4" x 4"
>18-24	.50	.75	.31	4" x 4"
>24-72	.75	1	.38	6" x 6"



AIR MONITOR
CORPORATION

P.O. Box 6358 • Santa Rosa, CA 95406 • (707) 544-2706 • (707) 526-2825 Fax
www.airmonitor.com • amcsales@airmonitor.com