

ELECTRA-flo PROBE ARRAY

THERMAL AIRFLOW MEASURING SYSTEM

INTERNALLY MOUNTED

STANDARD CONSTRUCTION

Probe:	Type 6063 anodized aluminum. 1-1/8" diameter.
Sensor Housing:	Injection molded polycarbonate.
Sensor Type:	Hermetically sealed, precision matched thermistors mounted in flow conditioning aperture.
Sensor Signal Processing:	Microprocessor with 16 bit A/D conversion for each sensor node.
Probe Mounting:	Internally duct mounted via galvanized steel brackets.
Gland Plate Mounting Gasket:	Closed cell neoprene, 1/4" thick.
Probe to Probe Connection:	Integral plenum rated cable with mini-DIN Snap & Lock connector for signal and power. Multiple probe array connected serially in daisy chained configuration.
Junction Box to Transmitter Connection:	Integral plenum rated cable with mini-DIN Snap & Lock connector. Standard length 10'.
Probe Size Range:	8" to 120".
Sensor Pattern:	On an equal area basis.
Sensor Density:	Level 1, Level 2, or Level 3. Refer to Submittal Sheet 4.80.00.

PERFORMANCE SPECIFICATIONS

Individual Sensor Accuracy:	±2% of reading
Station Accuracy:	±2 to 3% of flow when installed per recommended minimum installation requirements
Sensor Temperature Accuracy:	±0.1 °F
Qty. Calibration Points per Sensor:	6
Velocity Calibration Range:	0 to 5000 FPM
Operating Temperature:	-20 °F to 140 °F
Operating Humidity:	0 to 99% RH, non-condensing

HVAC Applications:

Suitable for use in Ducted Applications including: Supply Air, Return Air, and Outdoor Air.

Refer to manufacturer's instructions regarding minimum recommended installation requirements based on obstruction.

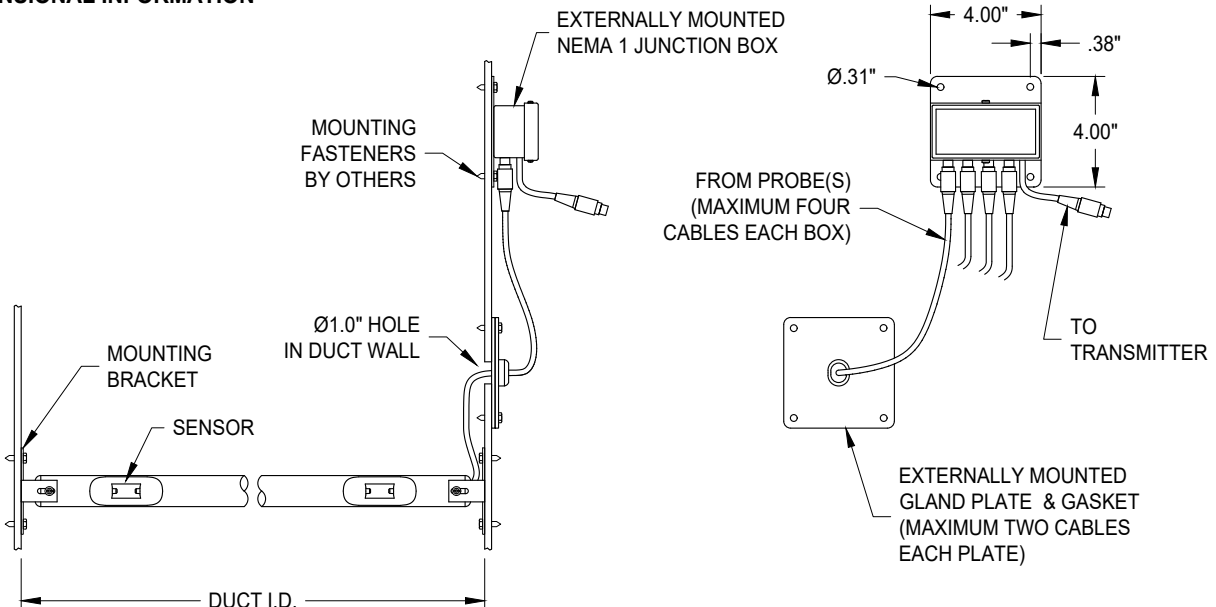
CONSTRUCTION OPTIONS:

Junction Box to Transmitter Cable Length:
 10' (default) 25' 50' 100'

ORDER CODE INFORMATION

Refer to Submittal Sheet 4.80.02 for Order Code Information.

DIMENSIONAL INFORMATION



P.O. Box 6358, Santa Rosa, CA 95406 (707) 544-2706
 www.airmonitor.com hvacsales@airmonitor.com

