

FAN-E and Aluminum LO-flo

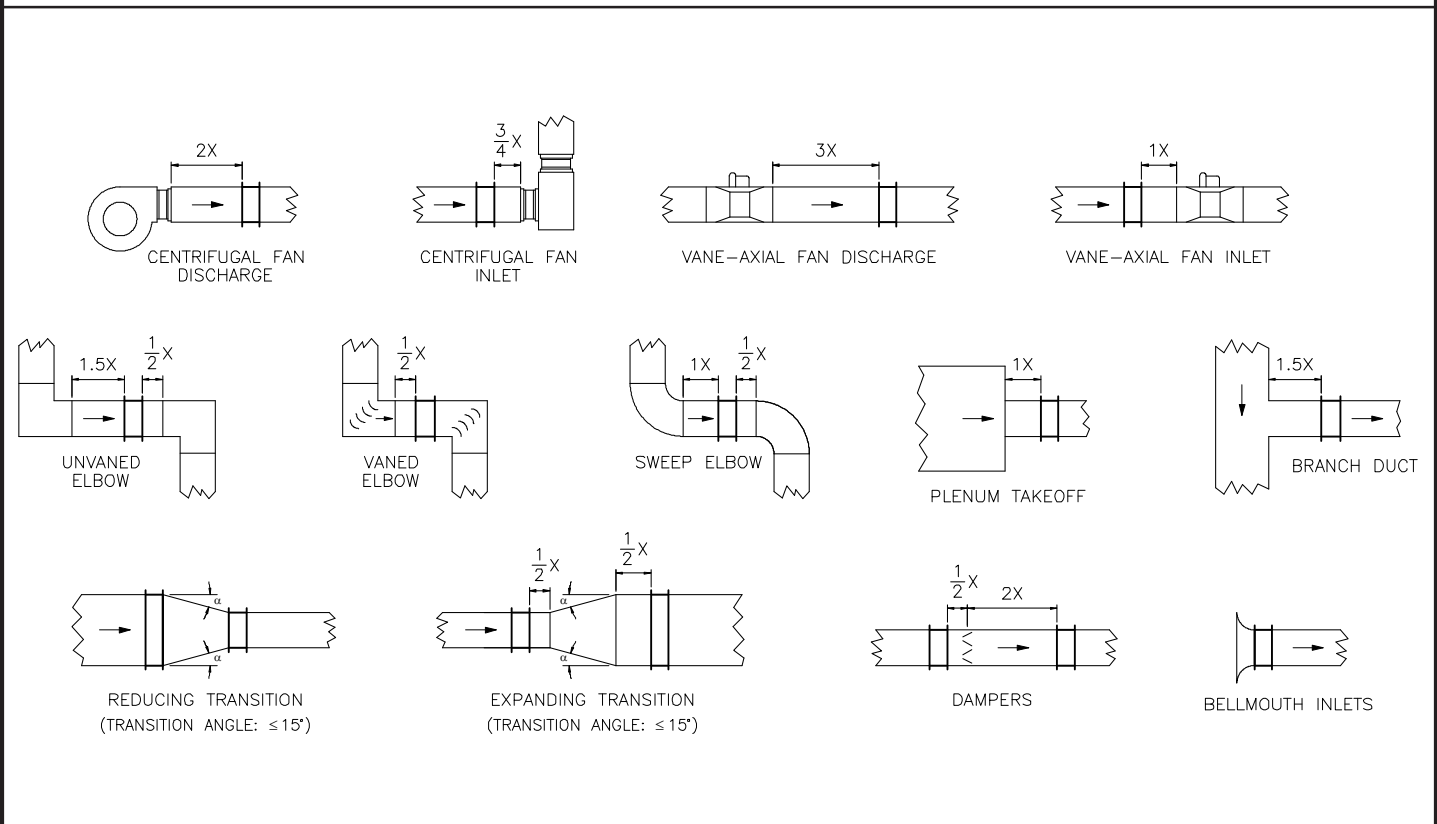
MINIMUM INSTALLATION REQUIREMENTS

INSTALLATION CONSIDERATIONS. Installation factors to be considered when applying the FAN-E and Aluminum LO-flo are as follows:

Turbulent Airflow. The unique use of honeycomb airflow straightener permits accurate flow measurement in the presence of moderate air turbulence. The distances from air turbulence producing fittings, transitions, etc., shown below are the **minimum** requirements for installation to assure accurate airflow measurement. Wherever possible, the FAN-E and Aluminum LO-flo should be installed with longer runs of straight duct (or clearances) than shown.

Airborne Contaminants. The levels of air filtration and cleanliness associated with commercial HVAC Systems, whether supply/return/exhaust/outside air, are satisfactory for operation of the FAN-E and Aluminum LO-flo. Applications containing airborne contaminants may require periodic manual or automatic cleaning using compressed air applied via the signal fittings, and/or physical cleaning.

Direction of Airflow. The FAN-E and Aluminum LO-flo will function only with the airflow passing through the air straightener section prior to entering the total and static pressure sensing section. To prevent improper installation, each FAN-E and Aluminum LO-flo is marked with an arrow indicating the required direction of airflow.



Equivalent Duct Diameter X

Rectangular Duct: $X = \frac{2(H \times W)}{H + W}$

Circular Duct: X = Duct Diameter

