

Installation, Operation, and Maintenance Manual

MASS-tron II/CEM

**Microprocessor Based
Mass Flow "Smart" Transmitter**

Versions 5.3X

Installation, Operation & Maintenance

**Air Monitor Corporation provides complete
technical support between the hours of
7 a.m. and 5 p.m. PST, M-F**

**Contact our Service Department
Toll Free: 1-800-AIRFLOW**

or fax us at 1-707-526-2825



TABLE OF CONTENTS

INSTRUMENT WARRANTY i

SECTION 1 – GENERAL INFORMATION

1.1 DESCRIPTION 1
 1.2 THEORY OF OPERATION 1

SECTION 2 – PERFORMANCE SPECIFICATIONS

2.1 TRANSMITTER 2
 2.2 INDICATION 2
 2.3 INPUTS/OUTPUTS 2
 2.4 POWER 2

SECTION 3 – FEATURES

3.1 OPERATOR SETUP MENU 3
 3.2 40CFR75 COMPLIANT 3
 3.3 AIR DENSITY CORRECTION 3
 3.4 TRANSMITTER HOLD 3
 3.5 AUTOMATIC ZEROING 3
 3.6 AUTO-purge MANAGEMENT 3
 3.7 ALARM 4
 3.8 DATA DISPLAY 4
 3.9 K-FACTOR 4
 3.10 FLOW/DIFFERENTIAL/PRESSURE CALCULATOR 4
 3.11 NETWORK 4
 3.12 MULTIPLE OPERATING POWER SELECTIONS 4
 3.13 ENCLOSURE 4

SECTION 4 – INSTALLATION

4.1 RECEIVING AND INSPECTION 5
 4.2 LOCATION 5
 4.3 MOUNTING 5
 4.4 PROCESS CONNECTIONS 6-7
 4.5 POWER/SIGNAL CONNECTIONS 8-10
 4.6 INPUT/OUTPUT SELECTION 11
 4.7 DISPLAY CONTRAST ADJUSTMENT 11

TABLE OF CONTENTS

SECTION 5 – OPERATION

5.1 INTRODUCTION 12

5.2 START-UP 12

5.3 NORMAL OPERATION 12-13

5.4 CONFIGURATION 14

5.5 PUSHBUTTON DEFINITION 15

5.6 CONFIGURATION PROGRAMMING 16-18

5.7 OPERATOR PASSWORD SELECTION 19

5.8 TRANSMITTER SCALING & CONFIGURATION 20-31

5.9 LOW PASS FILTER SELECTION 32

5.10 AUTO-zero CONFIGURATION 33

5.11 AUTO-purge CONFIGURATION 34

5.12 AUTO-calibration CONFIGURATION 35-36

5.13 ALARM CONFIGURATION 37-38

5.14 CONTROLLER CONFIGURATION 38

5.15 SPECIAL FUNCTION CONFIGURATION 38

5.16 K-FACTOR CONFIGURATION 39-40

5.17 ENHANCED DISPLAY CONFIGURATION 41-44

5.18 ANALOG OUTPUT CONFIGURATION 45

5.19 TRANSDUCER SPAN SELECTION 46

5.20 TRANSMITTER INPUT CALIBRATION 47

5.21 TRANSMITTER OUTPUT CALIBRATION 47

5.22 POWER SUPPLY CALIBRATION 47

5.23 TRANSDUCER CHARACTERIZATION SELECTION 48

5.24 NETWORK CONFIGURATION 49

5.25 MENU INACTIVITY TIMEOUT SELECTION 50

SECTION 6 – CALIBRATION

6.1 REQUIRED EQUIPMENT 51

6.2 PREPARATION 51

6.3 TRANSMITTER INPUT CALIBRATION 52-56

6.4 TRANSMITTER OUTPUT CALIBRATION 57-58

6.5 AUTO-span PRESSURE REFERENCE CALIBRATION 59

SECTION 7 – MAINTENANCE 60

SECTION 8 – TROUBLESHOOTING 61-62

SECTION 9 – PARTS LIST 63-64

SECTION 10 – CUSTOMER SERVICE 65

INSTRUMENT WARRANTY

Air Monitor Corporation (hereinafter referred to as "Seller") warrants that at the time of shipment, products sold pursuant to this contract will be free from defects in materials and workmanship, and will conform to the specifications furnished or approved in writing by Seller. No warranty is given that delivered products will conform to catalog sheets, data sheets, and the like, which are subject to change without notice.

product which has been repaired or altered by persons not expressly approved by Seller. Nor does Seller warrant equipment against normal deterioration due to environment; nor items such as lamps, glass, and similar items subject to wear or burnout through usage. Adjustments for items or equipment not manufactured by Seller shall be made to the extent of any warranty of the manufacturer or supplier thereof.

Seller will repair or replace, at its option, any products listed under this warranty which is returned freight prepaid to Seller within the earlier of three (3) years after start-up or thirty-nine (39) months after shipment that, upon test and examination, proves defective within the terms of this warranty. The warranty period for any item repaired or replaced shall be for the time remaining on the warranty period of the original components. Purchaser shall notify Seller in writing of such defect within sixty (60) days of discovery of the defect.

Seller shall not be liable for any special or consequential damages or for loss of damage, directly or indirectly arising from the use of the products. Seller's warranty shall be limited to replacement of defective equipment and shall not include field removal and installation expenses.

This warranty does not extend to any product sold by Seller which has been the subject of misuse, neglect, accident, damage or malfunction caused by interconnection with equipment manufactured by others, improper installation or storage, or used in violation of instructions furnished by Seller, nor does it extend to any

The warranty set forth above is in lieu of all other warranties either express or implied and constitutes the full extent of Air Monitor Corporation's liability to the customer, or any other party for breach of warranty.

THERE ARE NO EXPRESS WARRANTIES EXCEPT AS SET FORTH HEREIN AND THERE ARE NO IMPLIED WARRANTIES OF MERCHANTABILITY OF FITNESS FOR ANY PARTICULAR PURPOSE, WHICH ARE PARTICULARLY DISCLAIMED.

NOTICE OF PROPRIETARY RIGHTS

This document contains confidential technical data, including trade secrets and proprietary information which are the sole property of Air Monitor Corporation. The use of said data is solely limited to use as specified herein. Any other use is strictly prohibited without the prior written consent of Air Monitor Corporation.

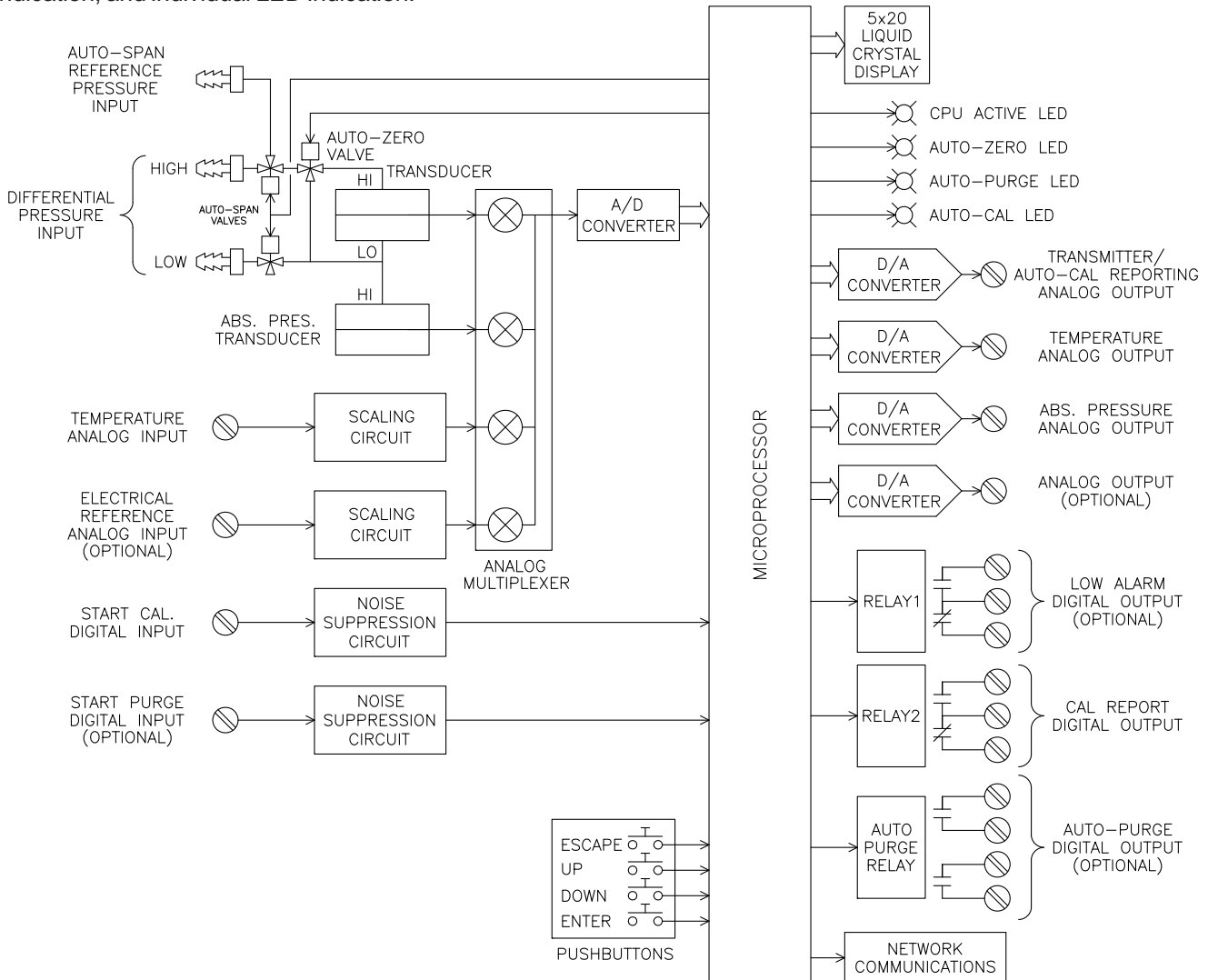
1 – GENERAL INFORMATION

1.1 – DESCRIPTION

The MASS-tron II/CEM is an ultra-low differential pressure "smart" massflow transmitter designed to convert the low magnitude pressure signals generated by airflow probes, plus process temperature and static pressure inputs into analog output signals of mass flow, temperature, pressure, and transmitter drift. Each MASS-tron II/CEM is equipped with numerous standard features: A multi-line LCD used during configuration/calibration and for display of process; AUTO-zero for elimination of transmitter zero error; AUTO-cal to measure transmitter zero and span drift; user selectable primary signal noise filter, input power isolation; capability of 10:1 flow or 100:1 pressure turndown; NEMA 1 enclosure, and a long list of construction options.

1.2 – THEORY OF OPERATION

High and low pressure signals generated by airflow stations or probes act upon opposite sides of a flexible diaphragm within the transducer. The differential between the two pressure signals displaces the diaphragm; the magnitude of the displacement being measured creates an electrical DC output from the transducer. Additional analog signals of process temperature (via external temperature input) and process static pressure (via internal absolute pressure transmitter) are made available. After being multiplexed and undergoing A/D conversion, the resulting digital signals representing process velocity pressure, temperature and static pressure can be manipulated within the microprocessor: square rooted; density compensated for air temperature and air pressure correction; scaled for units of measure and area for process outputs; filtered and scaled for local data display and utilized in performing a Special Function (see Section 3 – Features). The built-in microprocessor runs the program that provides the following basic functions: Timing, logic, mathematical operations, analog input signal multiplexing, analog input/output calibration, digital input (contact closure) detection, output relay operation, automatic zeroing valve operation, Operator Setup menu system, display (LCD) indication, and individual LED indication.



2 – PERFORMANCE SPECIFICATIONS

2.1 – TRANSMITTER

Ranges. Natural Full Spans

0 to 25.00 IN w.c.	0 to 0.50 IN w.c.
0 to 10.00 IN w.c.	0 to 0.25 IN w.c.
0 to 5.00 IN w.c.	0 to 0.10 IN w.c.
0 to 2.00 IN w.c.	0 to 0.05 IN w.c.
0 to 1.00 IN w.c.	

Span Rangeability. The calibrated span can be down ranged to 40% of the Natural Span.

Accuracy. ±0.1% of Natural Span, including non-linearity, hysteresis, and non-repeatability.

Stability. ±0.5% of Natural Span for six months.

Transducer Response Time. 0.5 second to reach 98% of a step change.

Temperature Effect. Zero. None; corrected by AUTO-zero. Span. 0.015% of Full Span/°F.

Mounting Position Effect. None; corrected by AUTO-zero.

Span and Zero Adjustment. Digital, via internally located push-buttons.

Automatic Zeroing. Accuracy. Within 0.1% of calibrated span. Frequency. Every 1 to 24 hours selectable on 1 hour intervals.

Low Pass Filtration. Response time to reach 98% of a step change is adjustable from 2.0 to 256.0 seconds.

Overpressure and Static Pressure Limit. 25 psig.

Temperature Limits. -20 to 180°F Storage. +40 to 140°F Operating.

Humidity Limits. 0-95% RH, non-condensing.

2.2 – INDICATION

Displays. Graphical backlit LCD provides up to five lines of data display.

LED's indicate CPU Activated, AUTO-zero in Progress, AUTO-zero over-ranged, AUTO-purge in Progress, and AUTO-cal in Progress.

2.3 – INPUTS/OUTPUTS

Analog Input. Analog input for temperature is available and field configurable via jumper for 0-5VDC, 0-10VDC, or 4-20mADC.

Analog Outputs. Transmitter/AUTO-cal Reporting, Temperature, Absolute Pressure, and one selectable output are individually configurable via jumper for 0-5VDC, 0-10VDC, or 4-20mADC.

Digital Inputs. Dry contacts input from "smart" relay for AUTO-purge start signal and AUTO-cal external start.

Digital Outputs. Dry contacts for optional Alarm or AUTO-purge activation/acknowledgment. Contacts are rated for:

- Maximum 3 amps @ 24 to 120VAC
- Maximum 3 amps @ 24VDC
- Maximum 0.5 amps @ 48VDC

Temperature Compensation Selection. Push-button selection of linearized or non-linear input. Choice of thermocouple or 100 ohm platinum RTD temperature sensor type.

Type E	-50 to 1750°F	-50 to 950°C
Type T	-50 to 750°F	-50 to 400°C
Type J	-50 to 2000°F	-50 to 1090°C
Type K	-50 to 2000°F	-50 to 1090°C
RTD	-50 to 1500°F	-50 to 815°C

Pressure Compensation. Absolute pressure (atmospheric or duct static), up to 60 IN Hg.

Network Communication. Optional ModBus TCP/IP over Ethernet.

2.4 – POWER

Power Supply. 24VDC (20-40VDC) or 24VAC (20-28VAC).

Power Consumption. 18VA @ 24VAC, 13VA @ 24VDC.

	Standard		w/AUTO-purge	
	In Rush	Contin	In Rush	Contin
24VAC	14.4VA	14VA	85VA	73VA
24VDC	9.6W	9.0W	37W	37W
120VAC	19.2VA	18.67VA	106VA	92VA

Circuit Protection. Power input is isolated, fused, and reverse polarity protected.

3 – FEATURES

3.1 – OPERATOR SETUP MENU

The microprocessor program contains a Operator Setup menu system for setting user selectable parameters. Four pushbuttons, **ESC, UP, DN, ENT**, allow the user access to the menu for setting configuration modes and values. Refer to the Configuration Programming (Section 5.6) instructions for operation details. Also contained in the Operator Setup menu is all input and output calibration. The calibration method is completely digital and contains no analog potentiometer adjustments which are susceptible to drift. Non-volatile memory is used for storing all setup parameters and calibration values, and will remain unchanged after set, even when power to the unit is off.

3.2 – 40CFR75 COMPLIANT

The MASS-tron II/CEM is designed to provide all functions and meet all data reporting requirements specified under 40CFR75: signals (4-20mADC standard; 0-5V or 0-10V optional) of mass flow and temperature; daily AUTO-cal reporting of transmitter zero and span drift; daily AUTO-purge of flow sensors; AUTO-purge in progress acknowledgment; and AUTO-cal in progress acknowledgment. AUTO-cal and AUTO-purge cycles can be internally timed or externally activated, with selection via Operator set-up menu.

3.3 – AIR DENSITY CORRECTION

The MASS-tron II/CEM transmitter is capable of performing both process temperature and process static pressure correction. Temperature input is an analog signal from a remote temperature device; non-linear temperature inputs can be linearized by the microprocessor. Process static pressure is measured by means of an internal absolute pressure transmitter connected to the transmitter static pressure signal input.

3.4 – TRANSMITTER HOLD

Certain operations performed by the microprocessor place the unit into a *Hold* mode. This occurs when the Operator Setup menu system is activated, when an AUTO-zero is performed, when an AUTO-cal is performed, or when an AUTO-purge cycle is in progress. When in *Hold*, all *Normal* mode processing is halted and outputs are held at their last value prior to *Hold*. *Normal* operation is indicated by the "CPU Activated" LED flashing at a rate of four times per second. A *Hold* mode is indicated by the "CPU Activated" LED flashing at a rate of one flash per second.

3.5 – AUTOMATIC ZEROING

At periodic intervals the microprocessor will automatically execute an AUTO-zero cycle consisting of the following sequence: The transmitter output and display signals are put on *Hold*; a valve is activated which disconnects the process high pressure from the high port of the transducer and connects the process static pressure to both sides of the transducer, creating a true zero differential pressure; after a brief stabilization period, the transducer zero offset signal is measured and stored in memory; the valve is deactivated and after a brief period for process signal stabilization, the *Hold* is released and *Normal* process measurement resumes. During *Normal* operation, the zero offset value stored in memory is subtracted from subsequent transducer readings until the next AUTO-zero cycle occurs and repeats the process. AUTO-zero On/Off and Interval are available and configurable using the Operator Setup menu.

3.6 – AUTO-purge MANAGEMENT

For "dirty process air" applications requiring the use of an Air Monitor AUTO-purge system, the MASS-tron II/CEM along with a "smart" relay provides the capabilities of establishing purge frequency and duration, while also giving the user a choice of either internally timed cycle frequency or externally triggered purge initiation. During the purge cycle all transmitter outputs are maintained at their last value prior to the start of the purge cycle.

3.7 – ALARM

The MASS-tron II/CEM Alarm Option provides the means for having the process signal compared to a user selectable Low Flow alarm point and automatically activates a Form C relay to generate a dry contact alarm signal. Alarm On/Off, Setpoint, Dead Band, and Delay are configurable via the Operator Setup menu. Alarm Setpoint can be displayed on during *Normal* operating mode. An Alarm Delay is available, if implemented (any time setting greater than zero), any condition that would normally cause an alarm, triggers the delay timer first. If the alarm condition still exists after the delay times out, then the alarm relay is activated.

3.8 – DATA DISPLAY

The integral display is a graphical backlit LCD. It is capable of displaying the transmitter flow, process temperature and static pressure signals in Engineering units, plus other signals of alarm or AUTO-cal functions. It can also display a user settable I.D. number using any combination of standard ASCII characters. It is also used by the Operator Setup menu for displaying the menu parameters and values. Configuring the display for *Normal* operation is done using the Operator Setup menu.

3.9 – K-FACTOR

The MASS-tron II/CEM is equipped with a K-Factor feature which allows for the introduction of a bias and/or gain factor into the transmitter's flow calculations. The K-Factor feature is intended to be used in two types of applications:

1. To adjust for flow measurement error as a result of highly distorted airflow induced by upstream or downstream flow disturbances.
2. To adjust the transmitter's output to bring it into close correlation with field measured flow data.

The K-Factor gain and bias values can be entered directly or the MASS-tron II/CEM can calculate these values based on measured and reference values from a 1 or 3 point airflow traverse.

3.10 – FLOW/DIFFERENTIAL PRESSURE CALCULATOR

The MASS-tron II/CEM is equipped with an integral calculator feature that allows the user to determine the maximum flow or differential pressure from the appropriate variables. This feature allows the user to determine input or output values at various points of the process or new values if the process parameters have changed. Also, the calculator can be used to implement a single-point density compensation for operating temperature and/or absolute pressure.

3.11 – NETWORK (option)

The MASS-tron II can be provided with optional ModBus TCP/IP over Ethernet for serial data communication.

3.12 – MULTIPLE OPERATING POWER SELECTIONS

The MASS-tron II/CEM can be powered by 24VAC or 24VDC, or 120VAC with optional transformer.

3.13 – ENCLOSURE

The MASS-tron II/CEM transmitter is furnished in a NEMA 1 aluminum enclosure with external, unitary plug in terminal strips for ease of installation and removal. An optional conduit connection box is available for applications requiring enclosed field wiring.

4 – INSTALLATION

All MASS-tron II/CEM systems are supplied to the customer either rack mount or mounted in an enclosure. Because each application is configured to specific customer requirements, previously submitted detail drawings should be consulted when performing Sections 4.3, 4.4, and 4.5.

Sections 4.4. and 4.5 contain generic information on the MASS-tron II/CEM transmitter. This information may not be needed during installation but will be useful in performing calibration and any troubleshooting.

4.1 – RECEIVING AND INSPECTION

- Carefully remove the MASS-tron II/CEM from the shipping container taking ESD (electrostatic discharge) precautions.
- Inspect unit for any damage. If damaged, contact freight company.
- Review the Factory Setup Information Sheet provided with the unit and verify the W.O. # and Serial # match those on the unit. Verify that the configuration recorded on the Factory Set-Up Information Sheet is correct for your application. If not, contact Air Monitor's Customer Service Department at 1-800-AIRFLOW for further guidance.

Note: The MASS-tron II/CEM has been configured and calibrated to customer specified parameters (see "Factory Setup Information Sheet" provided with the unit), and requires no additional calibration/verification prior to installation.

4.2 – LOCATION

- The MASS-tron II/CEM should be mounted in a location suitable for its enclosure/rack rating (review application drawings for enclosure rating).
- The ambient temperature of the selected mounting location must be between 40° – 140°F. Consideration should be given to units exposed to direct sunlight.
- The selected mounting location should be rigid and free of vibration.

4.3 – MOUNTING

Refer to applicable drawings for mounting the MASS-tron II/CEM.

- The MASS-tron II/CEM can be mounted in any position provided it is secured.
- Reasonable consideration should be given to clearances for pressure and electrical connections.

4.4 – PROCESS CONNECTIONS

The MASS-tron II/CEM comes standard with brass 1/8" FPT connections (or special fittings if ordered). To these connections the customer can install fittings required for the type of tube/pipe used to connect to process sensor (i.e. flow station, flow probe, static pressure sensors).

When connecting the MASS-tron II/CEM to an airflow measuring device, connections must be completed as follows:

- High Port on MASS-tron II/CEM connects to Total Pressure from airflow measuring device.
- Low Port on MASS-tron II/CEM connects to Static Pressure from airflow measuring devices.

Although any size of tube/pipe can be used, the response time of the MASS-tron II/CEM to process change may increase if there is a increase in tube/pipe size or an increase in tube/pipe length.

CAUTION

- Selected fittings should be compatible with the brass 1/8" FPT bulkhead connection, and installed using an appropriate thread lubricant/sealant.
- When signal fittings are added or removed, use a 9/16 wrench to prevent the 1/8" FPT bulkhead fitting from turning.
- It is extremely important that no pressure be present in signal tubing at the time of installation, and the orientation of high and low pressure signal lines is maintained between the source and the MASS-tron II/CEM.

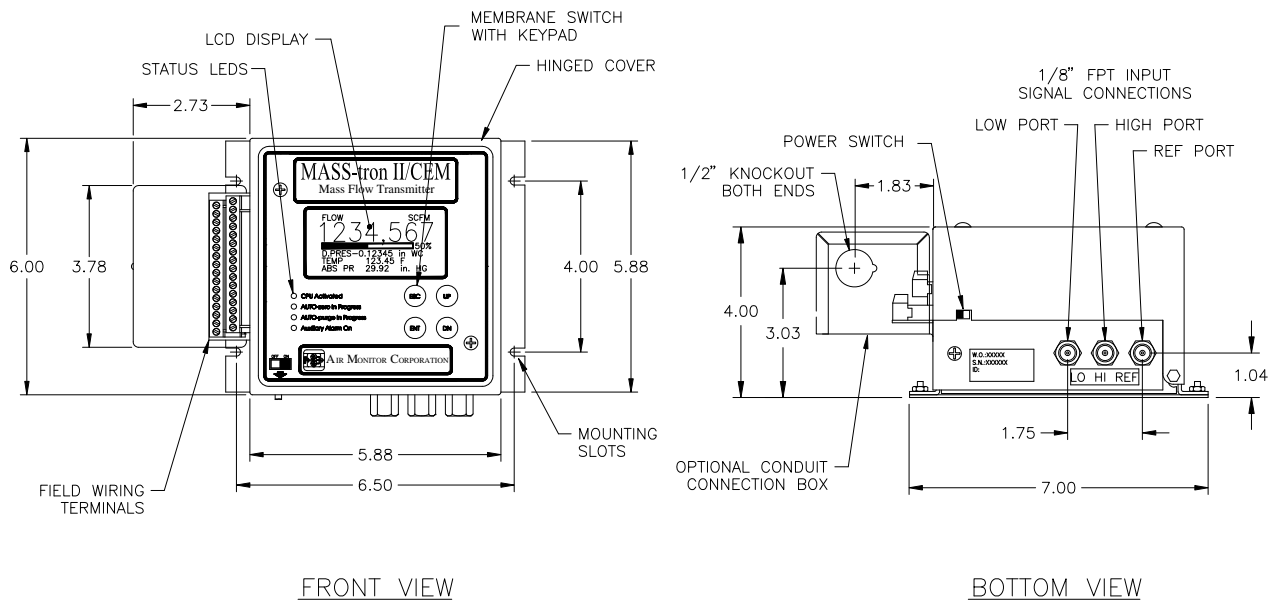


Figure 4.1

4.4 – PROCESS CONNECTIONS (con't)

If process being measured contains humidity or moisture, it is recommended a drip leg with drain on each tube/pipe be installed to preclude the migration of water into the MASS-tron II/CEM. See Figure 4.2. for typical drip leg installation.

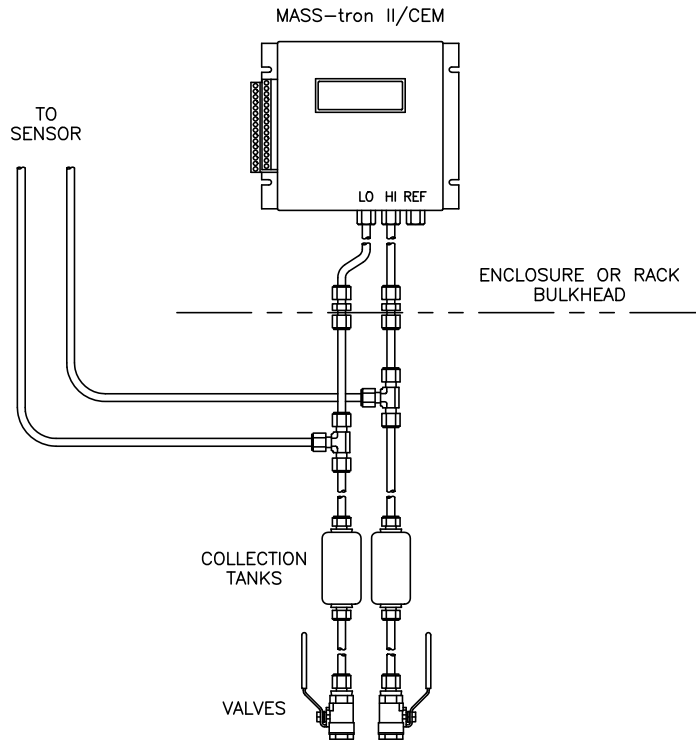
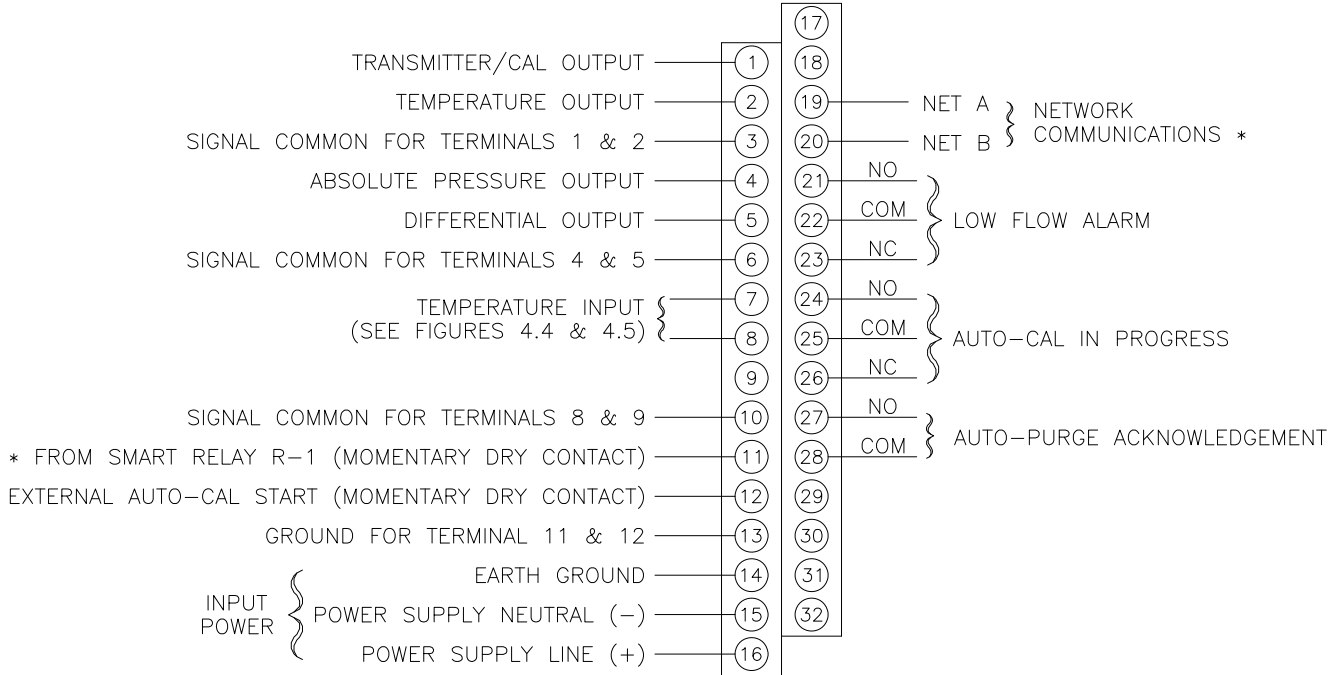


Figure 4.2

CAUTION
Migration of water into the MASS-tron II/CEM will void warranty.

4.5 – POWER/SIGNAL CONNECTIONS

All power and signal wiring is done at the terminal strip at the left side of the MASS-tron II/CEM. Figure 4.3 below represents the terminal strip and the connections for power input and the various inputs/outputs available (review Factory Set-Up Information Sheet for which inputs/outputs are included with your unit).



* USED ONLY WHEN AN OPTION IS PURCHASED

Figure 4.3

CAUTION

When connecting or disconnecting any wiring to the MASS-tron II/CEM, the unit's power switch (see Figure 4.1) must be in the OFF position.

WIRING.

It is recommended that any power wiring be 14 awg to 18 awg, and any signal wiring should be 14 awg to 22 awg. 14 awg is the maximum wire gauge that the terminal strip can accommodate.

No more than two wires should be connected to any one terminal. 18 awg is the maximum gauge wire that can be doubled up in one terminal.

To facilitate wiring and any future removal of the MASS-tron II/CEM, each terminal strip is removable from the unit. Remove terminal strip marked 1-16 first by pulling sideways, away from the unit. A flat blade screwdriver can also be used to gently pry strip free. Once the strip is removed, the second strip marked 17-32 can be similarly removed.

If the unit was furnished with optional conduit connection box, loosen screw, and remove cover to gain access to the terminal strip.

4.5 – POWER/SIGNAL CONNECTIONS (con't)

Transmitter/AUTO-cal Reporting Output 1 (Terminals 1 and 3). This output is sourced (powered) by the MASS-tron II/CEM.

- 4-20mADC: Maximum load resistance is 750 ohms.
- 0-10VDC: Minimum load resistance is 5000 ohms.
- 0-5VDC: Minimum load resistance is 2500 ohms.

Review Factory Set-Up Information Sheet for your signal type.

Temperature Output 2 (Terminals 2 and 3). This output is sourced (powered) by the MASS-tron II/CEM.

- 4-20mADC: Maximum load resistance is 750 ohms.
- 0-10VDC: Minimum load resistance is 5000 ohms.
- 0-5VDC: Minimum load resistance is 2500 ohms.

Review Factory Set-Up Information Sheet for your signal type.

Absolute Pressure Output 3 (Terminals 4 and 6). This output is sourced (powered) by the MASS-tron II/CEM.

- 4-20mADC: Maximum load resistance is 750 ohms.
- 0-10VDC: Minimum load resistance is 5000 ohms.
- 0-5VDC: Minimum load resistance is 2500 ohms.

Review Factory Set-Up Information Sheet for your signal type.

Analog Output 4 (Terminals 5 and 6). This output is sourced (powered) by the MASS-tron II/CEM.

- 4-20mADC: Maximum load resistance is 750 ohms.
- 0-10VDC: Minimum load resistance is 5000 ohms.
- 0-5VDC: Minimum load resistance is 2500 ohms.

Review Factory Set-Up Information Sheet for your signal type.

Temperature Input (Terminals 7, 8, and 10). Follow the appropriate figure below for connecting a temperature input signal.

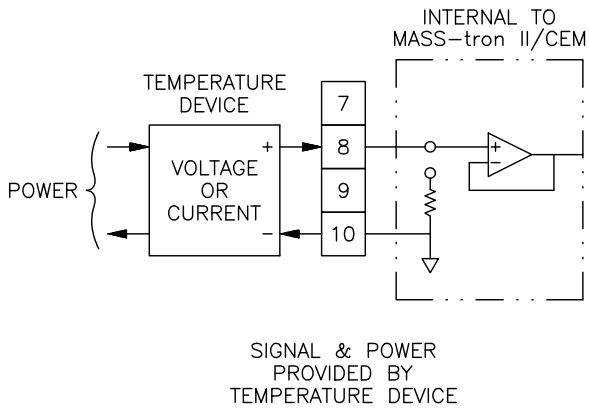


Figure 4.4

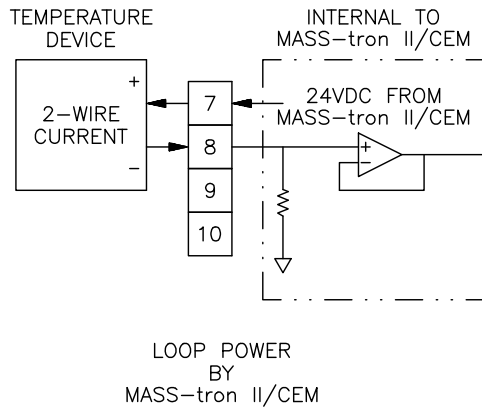


Figure 4.5

AUTO-purge "Start" Signal (Terminals 11 and 13). Customer to provide momentary (0.5 to 10 second unpowered) dry contact as notification of AUTO-purge cycle initiation (typically from "smart" relay). Upon receiving this signal, transmitter hold will be activated.

External AUTO-cal Start (Terminals 12 and 13). Customer to provide momentary (0.5 to 10 second unpowered) dry contact to initiate AUTO-cal cycle.

Input Power (Terminals 14, 15, and 16). Power required by MASS-tron II/CEM must be connected to Terminals 15 and 16. Earth ground should be connected to Terminal 14. When powering multiple units from one power source, polarity must be maintained.

Low Flow Alarm (Terminals 21, 22, and 23). Customer to connect according to desired alarm logic. Figure 4.3 indicates de-energized (alarm off) state.

4.5 – POWER/SIGNAL CONNECTIONS (con't)

AUTO-cal in Progress (Terminals 24, 25, and 26). Acknowledgment contact for customer use. See Section 5.12 for contact logic.

AUTO-purge "IN PROGRESS" (Terminals 29 and 30). Acknowledgment contact for customer use. Contacts close upon AUTO-purge cycle initiation, remain closed through the programmed Purge Duration.

4.6 – INPUT/OUTPUT SELECTION

Selections of input and output signal types are made on the Jumper section of the I/O board, see Figure 5.2. Remove top cover to gain access to the Jumpers. Figure 4.7 depicts the Jumper board and the pins associated with specific input and output signal types.

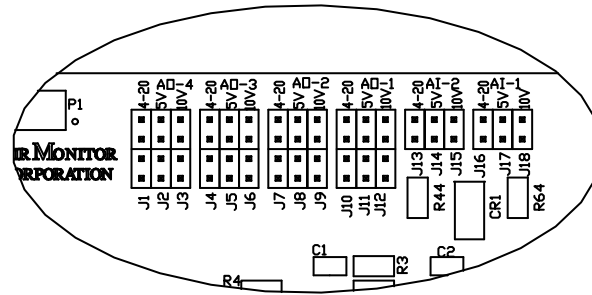


Figure 4.7

Table 4.1 lists the identifier for each row of pins to be jumpered for a specific input or output signal type.

	SIGNAL TYPE		
	4 to 20mADC	0 to 5 Volts	0 to 10 Volts
Analog Output (AO-1) (Transmitter AUTO-cal Reporting)	J10	J11	J12
Analog Output (AO-2) (Temperature)	J7	J8	J9
Analog Output (AO-3) (Absolute Pressure)	J4	J5	J6
Analog Output (AO-4) (Selectable)	J1	J2	J3
Analog Input (AI-1) (Temperature)	J16	J17	J18
Analog Input (AI-2) (Not Used)	J13	J14	J15

Table 4.1

The necessary jumpers have been installed at the Factory for customer specified inputs and outputs (see Factory Set-Up Information Sheet). The availability of inputs and outputs depends on options purchased.

To change the signal type of an available input or output, remove all jumpers from the present signal type pins and install them on the desired signal type pins.

Inputs have a single jumper covering two pins, and outputs have two jumpers covering four pins.

4.7 – DISPLAY CONTRAST ADJUSTMENT

To compensate for different ambient lighting conditions and viewing angles, the MASS-tron II/CEM display's contrast can be adjusted for optimum visibility.

Contrast is adjusted using potentiometer R1 on CPU board (see Figure 5.1). To gain access to R1:

- Remove the two 10-32 screws from front cover and pull the cover straight up and to the right.
- Turn R1 clockwise to increase contrast (darken characters relative to background) and counterclockwise to decrease contrast.

5 – OPERATION

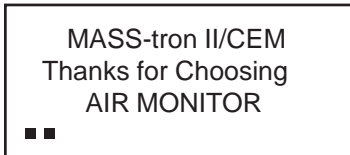
5.1 – INTRODUCTION

The MASS-tron II/CEM has been configured and calibrated at the Factory to customer specified parameters which are recorded on the MASS-tron II/CEM Factory Set-Up Information Sheet, included with the unit. Review this information and verify that the MASS-tron II/CEM setup is correct for your applications. If any problems or discrepancies are detected, contact Air Monitor's Customer Service Department at 1-800-AIRFLOW prior to proceeding.

5.2 – START-UP

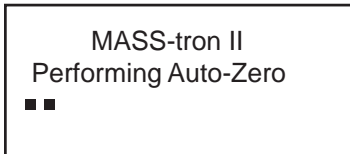
1. After Installation has been verified in accordance with Section 4, turn power switch located at the lower left side to the ON position (see Figure 4.1).

2. Display will briefly indicate:



with the ■ progressing from left to right.

Followed by:



After approximately 10 seconds, and then return to *Normal* display mode, and green LED indicating "CPU Activated" will flash rapidly (4 times per second). This is *Normal* operation mode and no further user interface is required. If, however, user would like to verify configuration or change user controlled parameters, continue to Section 5.4 entitled "CONFIGURATION".

5.3 – NORMAL OPERATION

Under *Normal* operation the MASS-tron II/CEM's display will continuously indicate current process variables and other parameters selected.

AUTO-zero. At periodical intervals* (see Factory Set-Up Information Sheet) the AUTO-zero cycle will be initiated. When this occurs, the display will be frozen and all outputs will remain constant. During this cycle the "AUTO-zero in Progress" LED will be lit.

This cycle will not occur if AUTO-zero has been turned OFF in configuration programming (see Section 5.10).

The AUTO-zero cycle can be manually activated by user (if ON in configuration programming) by simultaneously pressing **ESC** and **UP**, then scrolling until Perform AUTO-zero is displayed, then press **ENT**.

If "AUTO-zero In Progress" LED remains on, continuously or flashes rapidly, refer to Section 8 - Troubleshooting for the required action.

5.3 – NORMAL OPERATION (con't)

AUTO-purge. AUTO-purge cycle will be activated at periodic intervals determined by the "smart" relay programming. When activated, display will be frozen and all outputs will remain constant. During this cycle, the "AUTO-purge In Progress" LED will remain lit. Length of cycle depends on purge duration and after-purge duration (see Factory Set-Up Information Sheet).

This cycle will not occur if AUTO-purge has been turned OFF in configuration programming (see Section 5.11).

AUTO-cal. Every 24 hours* or when externally activated, the AUTO-cal cycle will be initiated. When this occurs, the display will be frozen and all outputs will remain constant (Note: Transmitter/AUTO-cal Reporting Output 1 will vary during the reporting phase of the AUTO-cal cycle. See Section 5.12 for more specific details).

During the AUTO-cal cycle, the MASS-tron II/CEM will first perform an AUTO-zero cycle which creates a zero differential pressure across the transducer. Any zero signal error is measured and stored.

Upon completion of the AUTO-zero cycle, the MASS-tron II/CEM performs an AUTO-span cycle which creates a percent (see Factory Set-Up Information Sheet) of full scale differential pressure across the transducer. Any span signal error is measured and stored.

The remainder of the AUTO-cal cycle consists of: Start Report Delay; Zero Report Duration, In Between Report Duration; and Span Report Duration – all of which have user selectable durations.

During the AUTO-cal cycle, the "AUTO-cal In Progress" LED will be lit.

The AUTO-cal cycle can be manually activated by user by simultaneously pressing **ESC** and **UP**, then scrolling until Perform Auto-Calib. is displayed, then press **ENT**.

If the "AUTO-cal In Progress" LED remains lit after completion of the AUTO-cal cycle, the error between the input reference pressure and the reference value (see Section 5.15) is 3% to 5%. If the LED flashes rapidly, the error is greater than 5%. Refer to Section 8 – Troubleshooting for the required action.

Additionally, if the "AUTO-zero In Progress" LED remains lit or flashes rapidly after completion of the AUTO-cal cycle (see AUTO-zero above for meaning) refer to Section 8 – Troubleshooting for the required action.

ALARMS. If alarm has been turned on in Configuration Programming and process conditions exist to activate the alarm, the alarm relay will be energized (after set delay time).

***Note:**

The interval clock for AUTO-zero, AUTO-purge, and AUTO-cal cycles is initiated when the MASS-tron II/CEM's power switch is turned on. The time intervals (preset in Operator Set-Up menu) will then start their timing sequence.

To reset the interval clock, turn power off for a minimum of 10 seconds, then turn power back on. Interval clock will then initiate at time zero.

Changing the interval selection in Operator Setup does not reset time clock.

5.4 – CONFIGURATION

The MASS-tron II/CEM's onboard microprocessor controls Configuration: Operating parameter selection; input/output activation and scaling, display scaling, and transducer calibration.

The customer can verify configuration and change certain parameters (within defined ranges) by entering the MASS-tron II/CEM's Configuration mode. This is accomplished using the four pushbuttons located on the MASS-tron II/CEM's top cover.

The type (i.e., 4-20mA, 0-5V, 0-10V) of available outputs can also be changed by jumper selections on I/O board (see Section 4.6).

To gain access to the jumpers, remove two 10-32 screws on front cover and pull the cover straight up and swing to the right..

CAUTION: With cover removed, ESD (electrostatic discharge) precautions should be observed at all times to protect sensitive components.

Refer to Figure 5.1 for location of pushbuttons: **UP, DN, ESC, ENT**, and Figure 5.2 for location of jumper board.

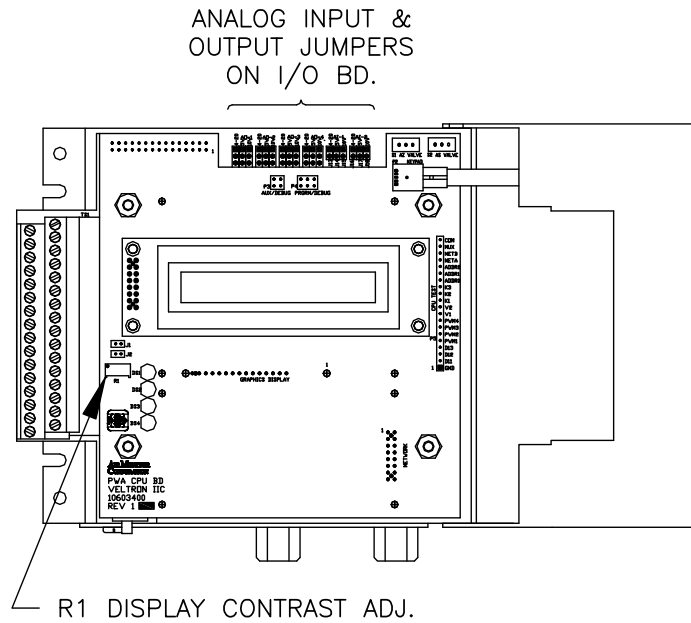


Figure 5.1

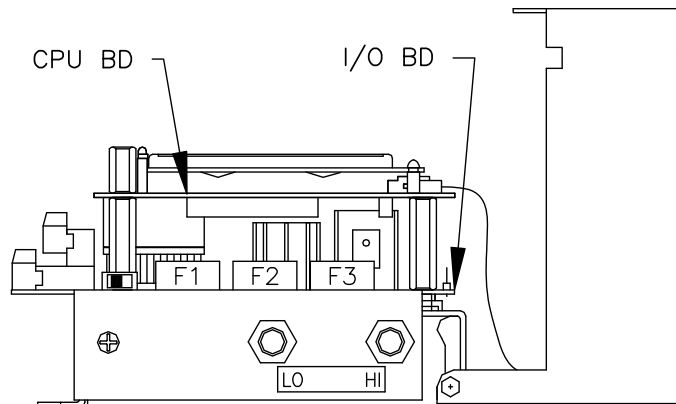


Figure 5.2

5.5 – PUSHBUTTON DEFINITION

In addition to Configuration programming, pushbuttons can be used for certain functions when in the *Normal* operation mode. The following list describes the pushbutton function when in the *Normal* operation mode and in the Operator Setup (programming).

When in Normal Operation Mode.

- ESC + ENT** Activates the Operator Setup menu.
- ESC + UP** Displays a list of Manual Actions available on the top line of the display. Use **UP** or **DN** to scroll through selections.

The following list describes all possible actions. Those available depend on installed options.

- Turn On AutoSpan Vlv Output not held.
- Turn On AutoZero Vlv Output not held.
- Perform Auto-Zero Output held.
- Perform Auto-Calib. Output held.
- UP + DN** Displays software Version, W.O. #, S/N, and ID.

When in Operator Setup.

- UP or DN** Use to scroll to the desired Main Menu item.
Use to scroll to the value or mode within a Parameter.
- ENT** Enters user into specific selection sub-menu from Main Menu Selection.
Displays current setting of selected Parameter.
Enters the selected value or mode into memory.
- ESC** Use to exit Main Menu selection to avoid scrolling to "Return to MAIN MENU".

The following pushbutton combinations can be used to more quickly set user selected values (i.e. display zero and span, K-factor, Scaling Values, etc.).

- UP* + ESC** Increase the second column digit.
 - DN* + ESC** Decrease the second column digit.
 - UP* + DN** Increase the third column digit.
 - DN* + UP** Decrease the third column digit.
 - UP* + ESC and DN** Increase the fourth column digit.
 - DN* + ESC and UP** Decrease the fourth column digit.
- XXXXX

2nd Column
3rd Column
4th Column

*Must be pressed and held before other button(s) are pressed.

NOTE
Pushbuttons are momentary type and should be quickly pressed and released to initiate desired change, unless otherwise instructed to press and hold.

5.6 – CONFIGURATION PROGRAMMING

With power ON and initialization complete (see Section 5.2), simultaneously press **ESC** and **ENT**, and display will indicate:

OPERATOR SETUP

Pressing **ENT** again will enter the user into the Main Menu of configuration programming. The display will indicate:

Operator Password
Selection

5.6 – CONFIGURATION PROGRAMMING (con't)

By using **UP** and **DN**, the user can scroll through the following selections:

MAIN MENU SELECTION	DESCRIPTION
Operator Password Selection	Allows for the selection of a numeric password needed to gain further access to menu items. Also allows for the password to be bypassed.
Transmitter Scaling & Configuration	Allows for the configuration of process variable such as: Density Compensation ON/OFF, Square root, process type, process minimum/ maximum/units, duct area, percent lockdown, and Temperature & Pressure configuration. Also offers a Flow/D.P. calculator that allows user to calculate maximum flow or differential pressure based on entered variables.
Low Pass Filter Selection	Selects amount of filtering applied to transducer output.
AUTO-zero Configuration	Turns AUTO-zero function ON or OFF, and selects activation interval.
AUTO-purge Configuration	Refer to "smart" relay manual for configuration information.
AUTO-cal Configuration	Allows for the selection of internal/external activation, reference value, and configuration of report sequence.
Alarm Configuration	Turns alarm function ON or OFF. Allows selection of Setpoint, Deadband, and Alarm Delay.
Controller Configuration	Not installed with MASS-tron II/CEM.
Special Function Configuration	Not installed with MASS-tron II/CEM.
K-Factor Configuration	Turns K-Factor ON or OFF, and allows for the calculation or selection of gain and bias values.
Display Configuration	Allows for the configuration of Display Parameters and Filter.
Analog Output Configuration	Allows for the selection of Analog Outputs 4 parameter.
Transducer Span Selection	Allows for displaying the natural span of the installed transducer.
Transmitter Input Calibration	Allows for the zeroing and spanning transmitter analog Inputs.
Transmitter Output Calibration	Allows for the zeroing and spanning of transmitter analog Outputs.
Power Supply Calibration	Allows for adjustment of power supply voltage.
Transducer Characterization Selection	Allows transducer characterization data to be entered when transducer is replaced.
Network Configuration	Turns the Network ON or OFF, selection of input source.
Menu Inactivity Timeout Selection	Allows for the selection a time after which the unit returns to normal operation if no activity in the Operator Menu.
Exit User Setup	Returns display to <i>Normal</i> operation.

5.6 – CONFIGURATION PROGRAMMING (con't)

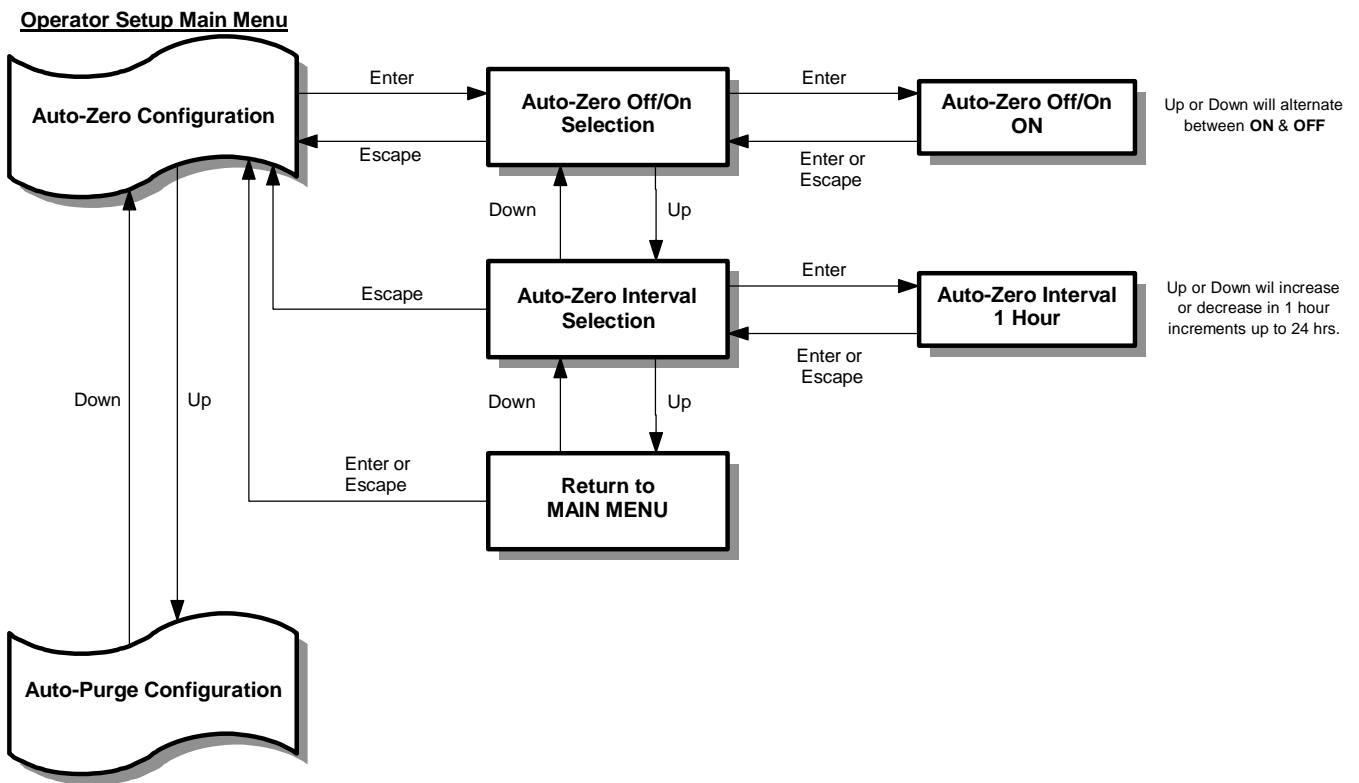
At any time while in the Main Menu, User can return to *Normal* operation mode by pressing **ESC** or scrolling to:



and pressing **ENT**.

Once the desired Selection is displayed, its sub-menu can be entered by pressing **ENT**.

To better understand the process of Configuration Programming, arrows with pushbutton designations have been included on the following flow chart of AUTO-zero Configuration. This will aid in the navigation of the Configuration Programming Process.



This example of navigation is similar for all Main Menu selections.

Note: All selections that are available for further configuration programming will have an "arrow" symbol displayed in the right side of the display field. Those that are not available for further configuration programming will not have the arrow symbol displayed and will display NOT INSTALLED beneath the selection description.

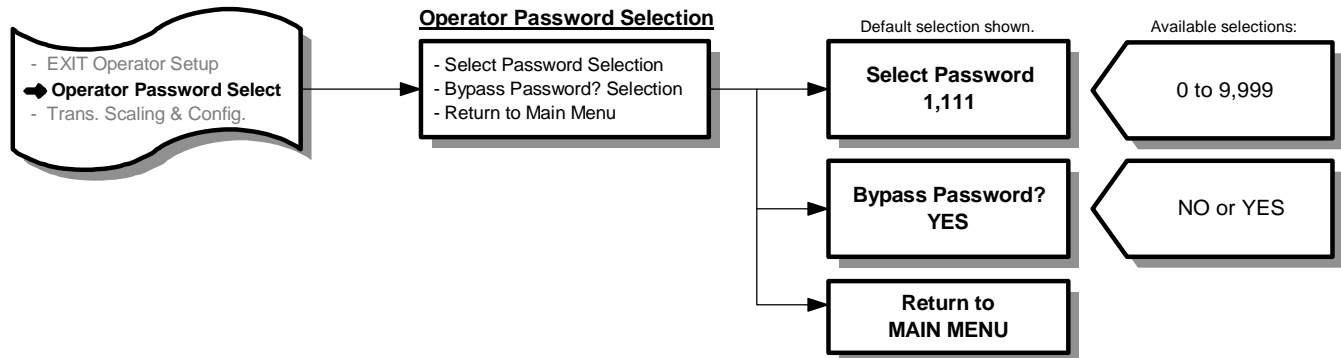
Example:



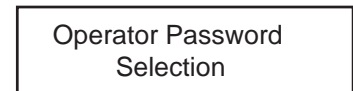
The remainder of this Section details steps to verify or change Configuration Programming of all Main Menu Selections.

5.7 – OPERATOR PASSWORD SELECTION

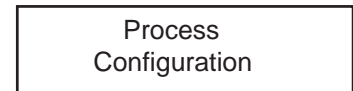
User can select numeric password or bypass password requirement. Note: Units are shipped from the Factory with the password set to 1,111 and bypassed.



1. While in Main Menu, use **UP** or **DN** to scroll to:



2. Press **ENT** to enter Operator Password Selection menu. Display will indicate:



3. Press **ENT** and display will indicate current password (1,111).

4. Use **UP** or **DN** to change password. Once desired password is displayed, press **ENT**. New password will be stored in memory and display will return to Operator Password Selection menu as in Step 2.

Note: If user desired not to change the password and return to Operator Password Selection menu, press **ESC**. Unit will remain programmed as it was originally.

5. Use **UP** or **DN** to select remaining parameters to be changed.

6. Follow Step 4 to make any changes to parameters.

7. To return to Main Menu, select Return to MAIN MENU in Standard Display Configuration menu and press **ENT**.

5.8 – TRANSMITTER SCALING & CONFIGURATION

This Main Menu selection is where all application specific data is entered to configure the MASS-tron II/CEM for a unique application. Data is entered in sub-menu, Process Configuration, and as applicable, sub-menus, Temperature Configuration and Absolute Pressure Configuration. Typical data includes: Process Type, Process Minimum/Maximum, Density Compensation ON/OFF, Temperature Range, Absolute Pressure Range, Duct Area/Units, etc.

Note: Factory has entered data in this section based on customer supplied information. Data can be reviewed and verified by scrolling through the individual menu items or reviewing the Factory Set-Up Information Sheet. Review this information **BEFORE** making any changes, as they can have a significant effect on the operation of the MASS-tron II/CEM.

Under a fourth sub-menu, Calculator for Max Diff. Pres. or Flow, user can calculate either maximum flow or maximum differential pressure (D.P.) when operating parameters have changed.

Each sub-menu will be addressed separately.

5.8 – TRANSMITTER SCALING & CONFIGURATION (con't)

Operator Setup Main Menu

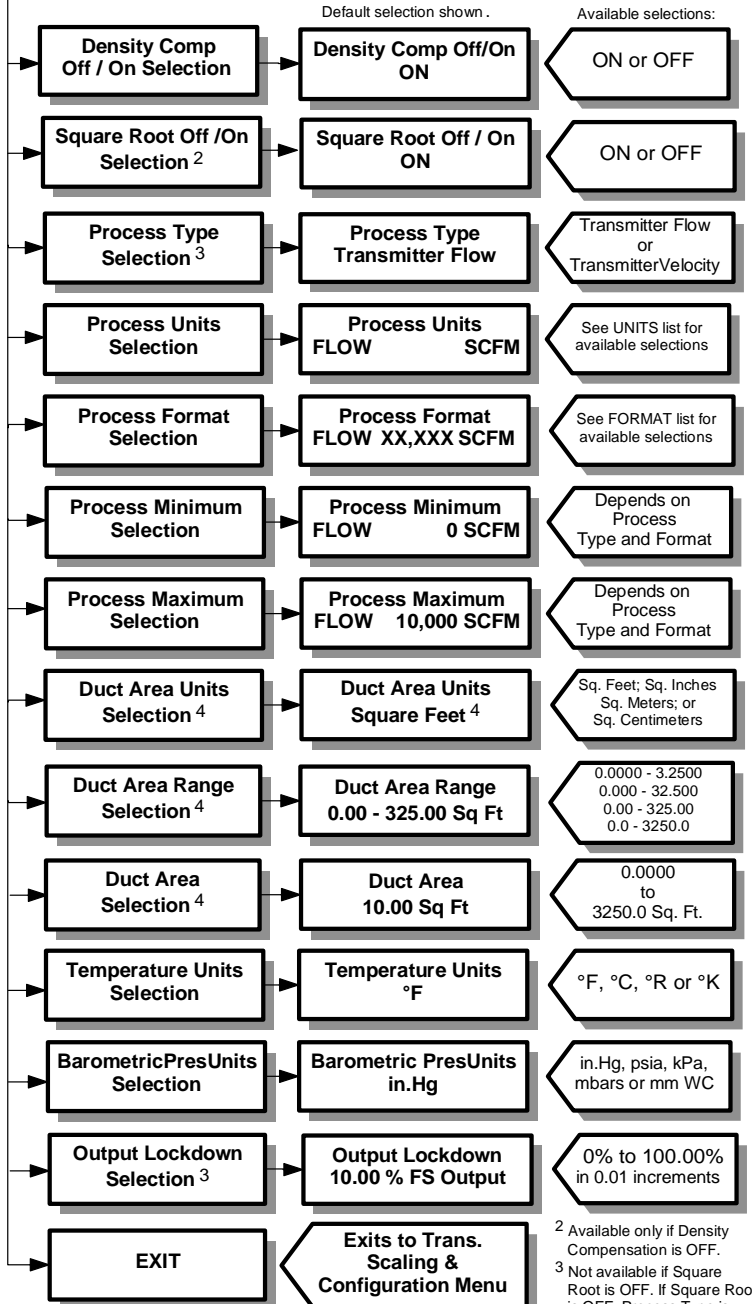
- EXIT User Setup
- ➔ **Trans. Scaling & Config.**
- Low Pass Filter Selection

Trans. Scaling & Configuration

- Process Configuration
- Temperature Configuration
- Absolute Pressure Configuration
- Calc. for Max Diff Pres or Flow ¹
- Return to MAIN MENU

¹ Available only if Square Root is ON in Process Configuration.

Process Configuration



² Available only if Density Compensation is OFF.
³ Not available if Square Root is OFF. If Square Root is OFF, Process Type is Differential Pressure (D.P.).
⁴ Available only if Process Type is Transmitter Flow. Available units depends on Process Type selected.

5.8 – TRANSMITTER SCALING & CONFIGURATION (con't)

1. While in Main Menu, use **UP** or **DN** to scroll to:

Transmitter Scaling and Configuration
--

2. Press **ENT** to enter Transmitter Scaling & Configuration menu. Display will indicate:

Process Configuration

3. Press **ENT** to enter the Process Configuration sub-menu. Display will indicate:

Density Comp. Off/On Selection

4. Press **ENT** and display will indicate current setting of Density Compensation (OFF or ON).

5. Use **UP** or **DN** to change setting. Once desired setting is displayed, press **ENT**, new setting will be stored in memory and display will return to Process Configuration sub-menu as in Step 3.

Note: If user desires not to change the setting and return to the Process Configuration sub-menu, press **ESC**. Unit will remain programmed as it was originally.

6. Use **UP** or **DN** to select remaining parameters to be changed within the Process Configuration sub-menu.

See the follow Units Lists for the available Process Units selections for the appropriate Process Type.
See the following Format List for the available Process Format selections.

7. Follow Step 5 to make any changes to parameters.

8. To return to the Transmitter Scaling & Configuration menu, select EXIT in the Process Configuration sub-menu and press **ENT**.

Note: If Process Minimum is selected to be a value greater than zero (0), Transmitter Output 1 will not increase until the actual process exceeds this selected value. This is known as "Zero Suppression".

Zero Suppression (Process Minimum) can be set up to 60% of the Process Maximum selected.

Display of process is not affected by this selection, and will indicate the actual process value.

If Analog Output 2, 3 and/or 4 is selected to represent TRANSMITTER, it will act the same as Transmitter Output 1.

5.8 – TRANSMITTER SCALING & CONFIGURATION (con't)

UNITS LIST For Process Type – Flow

		UNIT OF MEASUREMENT	DISPLAY
NOTE 1		cubic feet per second	CFS
		cubic feet per minute	CFM
		cubic feet per hour	CFH
		liters per second	l/s
		liters per minute	l/m
		liters per hour	l/hr
		cubic meters per second	m3/s
		cubic meters per minute	m3/m
		cubic meters per hour	m3/hr
NOTES 1 & 2		Actual cubic feet per second	ACFS
		Actual cubic feet per minute	ACFM
		Actual cubic feet per hour	ACFH
		Actual liters per second	Al/s
		Actual liters per minute	Al/m
		Actual liters per hour	Al/hr
		Actual cubic meters per second	Am3/s
		Actual cubic meters per minute	Am3/m
NOTES 1 & 3		Actual cubic meters per hour	Am3/h
		Percent	%
		Standard cubic feet per second	SCFS
		Standard cubic feet per minute	SCFM
		Standard cubic feet per hour	SCFH
		Standard liters per second	Sl/s
		Standard liters per minute	Sl/m
		Standard liters per hour	Sl/hr
		Standard cubic meters per second	Sm3/s
		Standard cubic meters per minute	Sm3/m
		Standard cubic meters per hour	Sm3/h
		Normal liters per second	Nl/s
		Normal liters per minute	Nl/m
		Normal liters per hour	Nl/hr
		Normal cubic meters per second	Nm3/s
		Normal cubic meters per minute	Nm3/m
		Normal cubic meters per hour	Nm3/h
		pounds per second	lb/s
		pounds per minute	lb/m
		pounds per hour	lb/hr
		Tons per hour	T/hr
		Tons per day	T/day
		grams per second	gm/s
kilograms per second	kg/s		
kilograms per minute	kg/m		
kilograms per hour	kg/hr		

Notes:

1. All units listed are available if Density Compensation is OFF.
2. Only these units are available if Density Compensation is ON.

5.8 – TRANSMITTER SCALING & CONFIGURATION (con't)

UNITS LIST for Process Type – Velocity		
	UNIT OF MEASUREMENT	DISPLAY
N O T E 1	feet per second	FPS
	feet per minute	FPM
	feet per hour	FPH
	meters per second	m/s
	meters per minute	m/m
	meters per hour	m/hr
	Actual feet per second	AFPS
	Actual feet per minute	AFPM
	Actual feet per hour	AFPH
	Actual meters per second	Am/s
	Actual meters per minute	Am/m
	Actual meters per hour	Am/hr
	N O T E S 1 & 2	Standard feet per second
Standard feet per minute		SFPM
Standard feet per hour		SFPH
Standard meters per second		Sm/s
Standard meters per minute		Sm/m
Standard meters per hour		Sm/hr
Normal meters per second		Nm/s
Normal meters per minute		Nm/m
Normal meters per hour		Nm/hr
Percent		%

Notes:

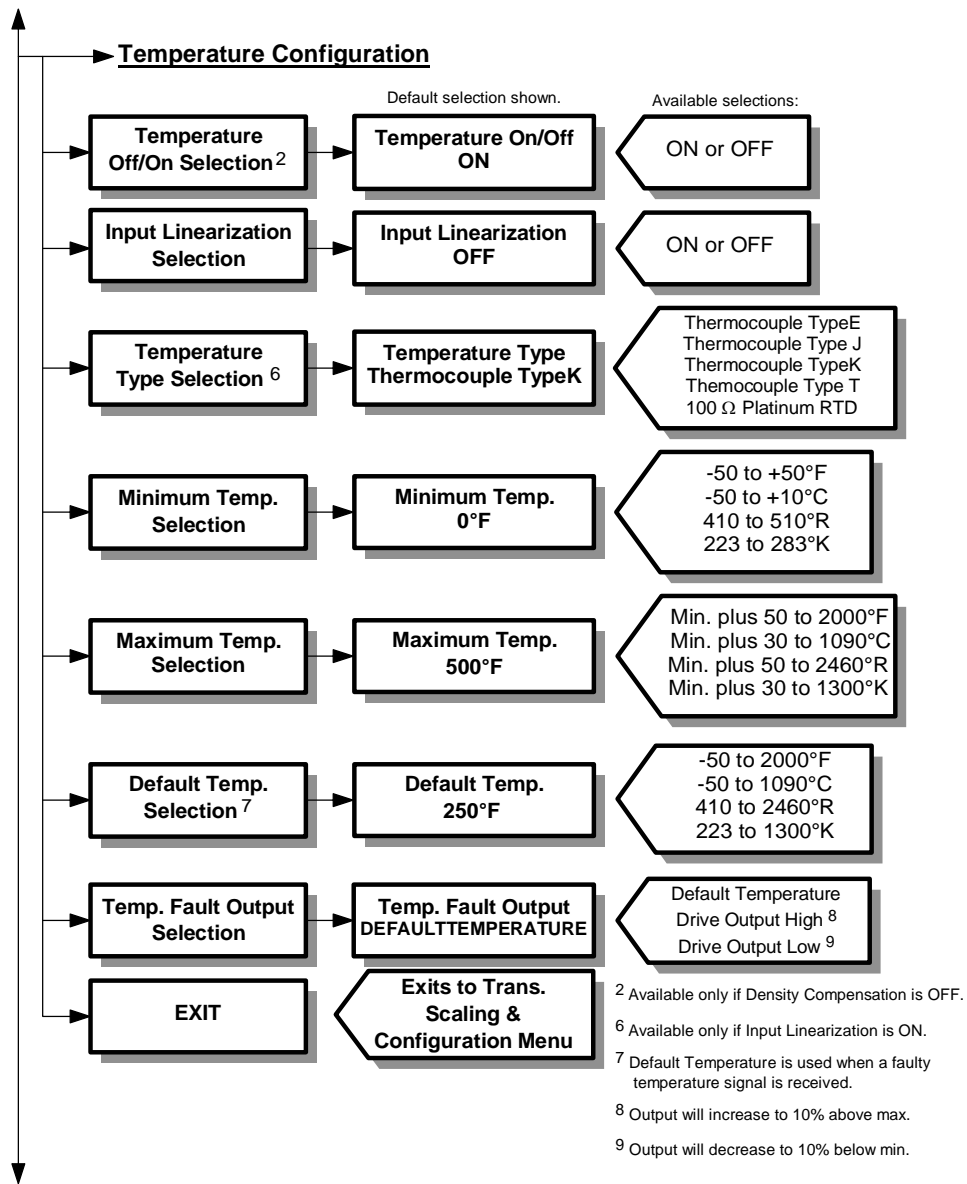
1. All units listed are available if Density Compensation is OFF.
2. Only these units are available if Density Compensation is ON.

5.8 – TRANSMITTER SCALING & CONFIGURATION (con't)

UNITS LIST for Process Type – Differential Pressure	
UNIT OF MEASUREMENT	DISPLAY
inches of water column	in.WC
inches of mercury	in.Hg
pounds per square inch, gauge	psig
Pascals	Pa
kilo Pascals	kPa
bars	bars
millibars	mbars
millimeter of water column	mm WC
millimeter of mercury	mm Hg
kilograms per square meter	kg/m ²
Percent	%

FORMAT LIST	
.0XXXXX	(0 to .025000)
0.XXXXX	(0 to 0.25000)
XXXXX	(0 to 2.5000)
XXXXX	(0 to 25.000)
XXXXX	(0 to 250.00)
X,XXXXX	(0 to 2,500.0)
XX,XXX	(0 to 25,000)
XXX,XX0	(0 to 250,000)
XXXX,X00	(0 to 2500,000)
XXXX,000	(0 to 9999,000)

5.8 – TRANSMITTER SCALING & CONFIGURATION (con't)



9. While in Transmitter Scaling & Configuration menu, use **UP** or **DOWN** to scroll to:

Temperature Configuration

10. Press **ENT** to enter the Temperature Configuration sub-menu.

If Density Compensation is ON (see Process Configuration above), display will indicate:

Input Linearization Selection

If Density Compensation is OFF display will indicate:

Temperature Off/On Selection

11. Press **ENT** and display will indicate current selection of applicable menu from Step 10.

5.8 – TRANSMITTER SCALING & CONFIGURATION (con't)

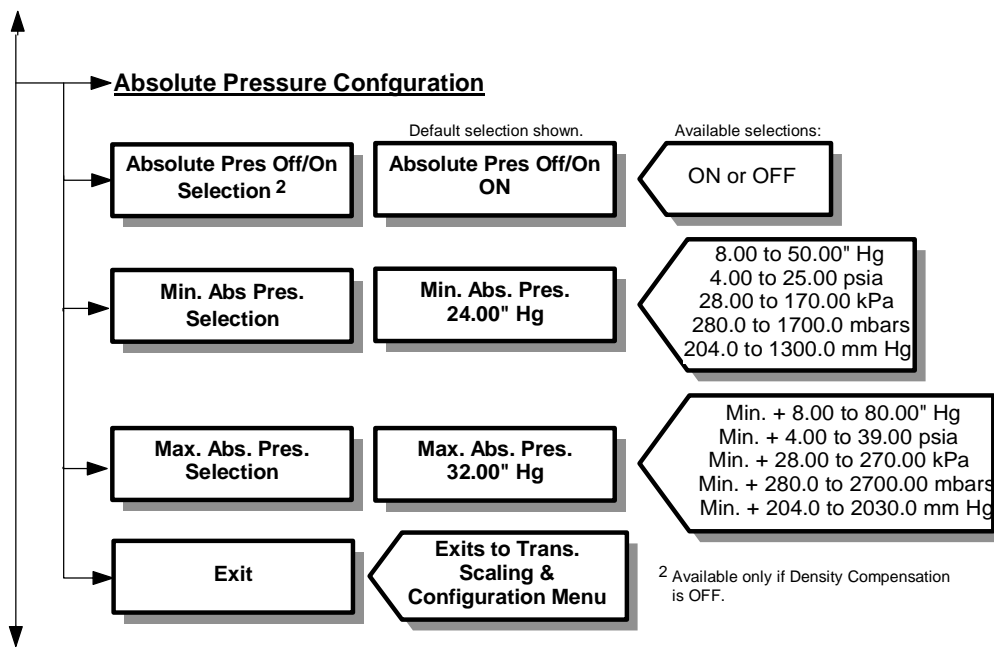
12. Use **UP** or **DN** to change setting. Once desired setting is displayed, press **ENT**, new setting will be stored in memory and display will return to the Temperature Configuration sub-menu as in Step 10.

Note: If user desires not to change the setting and return to the Temperature Configuration sub-menu, press **ESC**. Unit will remain programmed as it was originally.

13. Use **UP** or **DN** to select remaining parameters to be changed within the Temperature Configuration sub-menu.

14. Follow Step 12 to make any changes to parameters.

15. To return to the Transmitter Scaling & Configuration menu, select EXIT in the Temperature Configuration sub-menu and press **ENT**.



16. While in Transmitter Scaling & Configuration menu, use **UP** or **DN** to scroll to:

Absolute Pressure Configuration

17. Press **ENT** to enter the Absolute Pressure Configuration sub-menu.

If Density Compensation is ON (see Process Configuration above), display will indicate:

Min Abs. Pressure Selection

If Density Compensation is OFF (see Process Configuration above), display will indicate:

Abs. Pressure Off/On Selection

18. Press **ENT** and display will indicate current selection of applicable menu from Step 17.

5.8 – TRANSMITTER SCALING & CONFIGURATION (con't)

19. Use **UP** or **DN** to change setting. Once desired setting is displayed, press **ENT**, new setting will be stored in memory and display will return to the Absolute Pressure Configuration sub-menu as in Step 17.

Note: If user desires not to change the setting and return to the Absolute Pressure Configuration sub-menu, press **ESC**. Unit will remain programmed as it was originally.

20. Use **UP** or **DN** to select remaining parameters to be changed within the Absolute Pressure Configuration sub-menu.

21. Follow Step 19 to make any changes to parameters.

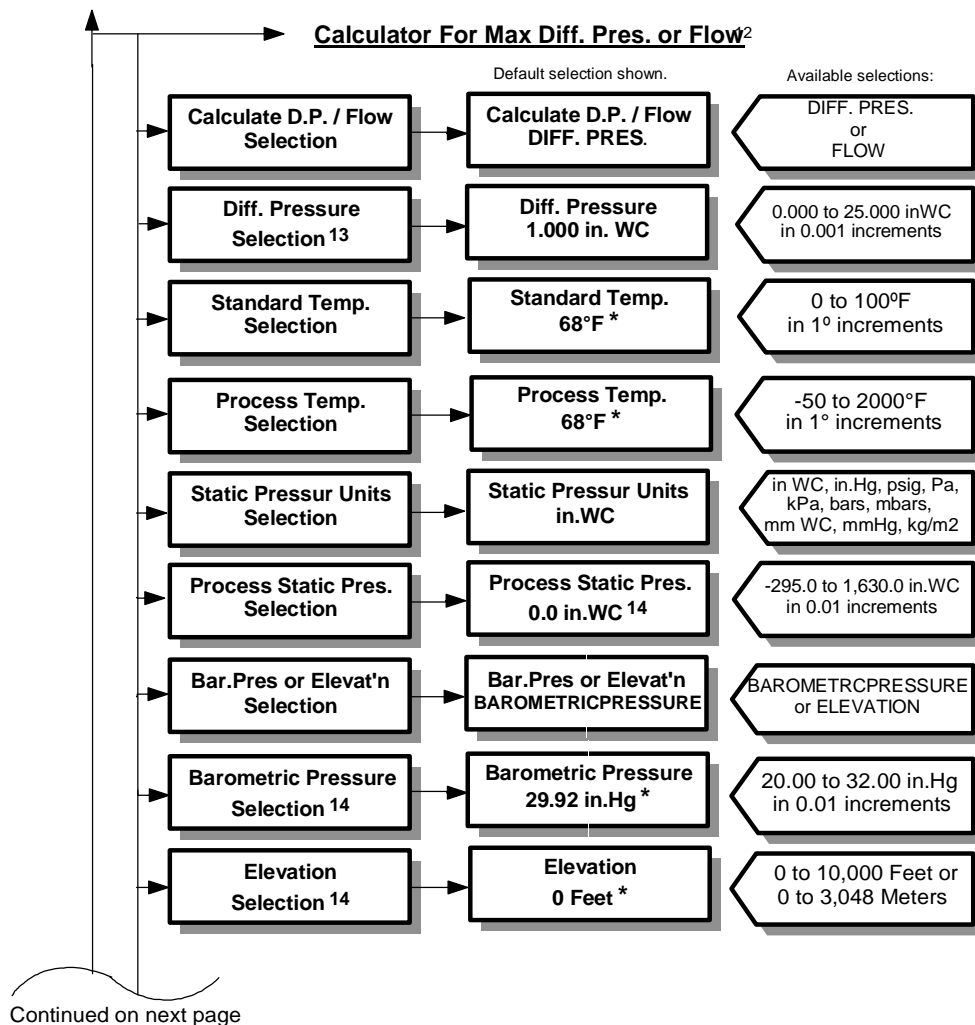
22. To return to the Transmitter Scaling & Configuration menu, select EXIT in the Absolute Pressure Configuration sub-menu and press **ENT**.

5.8 – TRANSMITTER SCALING & CONFIGURATION (con't)

User should not need to use the following Calculator unless:

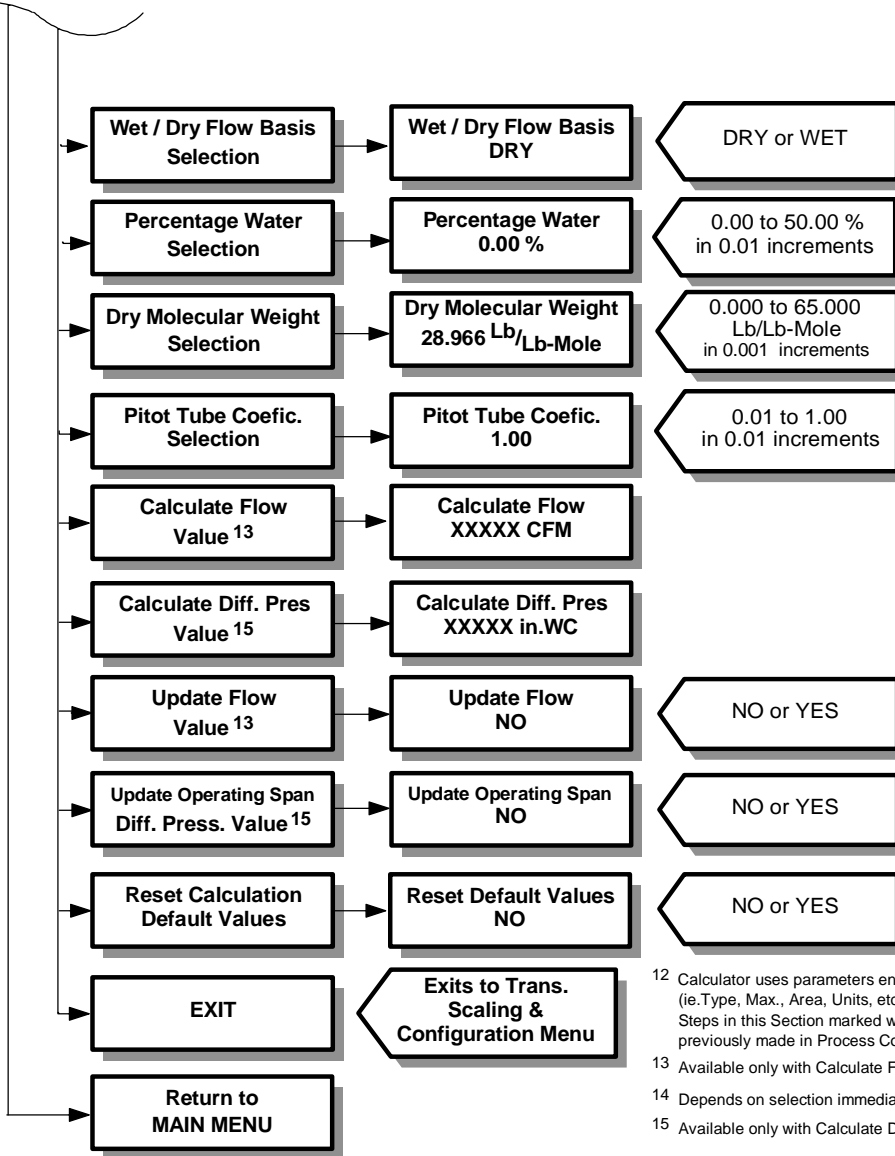
- a. Process parameters have changed and new Differential Pressure or Flow values are needed.
- b. Mid-point operating Differential Pressure or Flow values are wanted.
- c. It is desired to implement a single-point density compensation for process temperature and/or absolute pressure that is significantly different than standard conditions (68°F and 29.92" Hg).

Values entered in this section will have no effect on normal operation unless user enters YES in the Update Flow/ Operating Span Value menu item (see below).



5.8 – TRANSMITTER SCALING & CONFIGURATION (con't)

Continued from next page



¹² Calculator uses parameters entered in Process Configuration (ie.Type, Max., Area, Units, etc.) as necessary to perform calculation. Steps in this Section marked with * indicate values or choices previously made in Process Configuration.

¹³ Available only with Calculate Flow.

¹⁴ Depends on selection immediately above.

¹⁵ Available only with Calculate D.P.

5.8 – TRANSMITTER SCALING & CONFIGURATION (con't)

As an example of how to utilize the calculator, the following shows how to change the Operating Span if the process temperature is 150°F.

23. While in Transmitter Scaling & Configuration menu, use **UP** or **DN** to scroll to:

Calculator for Max
Diff. Pres. or Flow

24. Press **ENT** to enter the Calculator for Max Diff. Pres. or Flow sub-menu.
Display will indicate:

Calculate D.P./Flow
Selection

25. Press **ENT** and display will indicate:

Calculate D.P./Flow
DIFF. PRES.

26. Press **ENT** and then **UP** twice and display will indicate:

Process Temperature
Selection

27. Press **ENT** and use **UP** button until temperature reads 150°F.

28. Press **ENT** and scroll to:

Calculate Diff. Pres
Value

29. Press **ENT** and a new value for Differential Pressure will be displayed.

30. Press **ENT** and then **UP** and display will read:

Update Operating Span
Diff. Pres. Value

31. Press **ENT**, scroll to YES and press **ENT**, display will return to that shown in Step 30, and new operating span will be stored in memory.

Note: If during this step, display indicated CAL. SPAN NOT UPDATED NAT. SPAN TOO LOW or HIGH, new span is less than 40% or greater than 100% of the natural span of the transducer installed. User should contact Factory for further assistance (see section 10.0).

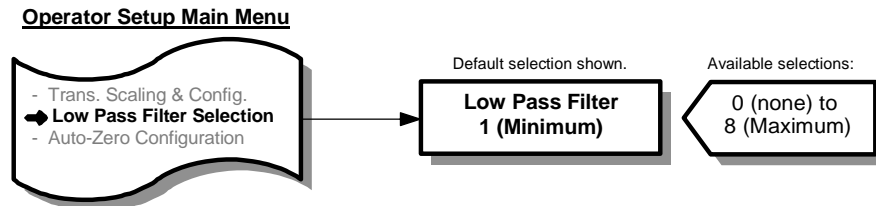
32. To return to the Transmitter Scaling & Configuration menu, select EXIT in the Calculator for Max Diff. Pres. or Flow sub-menu and press **ENT**.

33. To return to the Main Menu, select Return to MAIN MENU in the Transmitter Scaling & Configuration menu and press **ENT**.

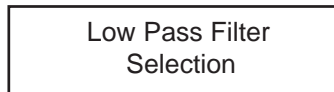
5.9 – LOW PASS FILTER SELECTION

User can select level of filtering applied to the transducer output*. Levels are 0 to 8, with 0 representing no filtering, 1 representing minimal filtering (0.5 sec time constant), and 8 representing maximum filtering (64 sec time constant).

*This filtering affects all subsequent outputs, displays, special function, alarms, etc., that utilize the transducer output.



1. While in Main Menu, use **UP** or **DN** to scroll to:

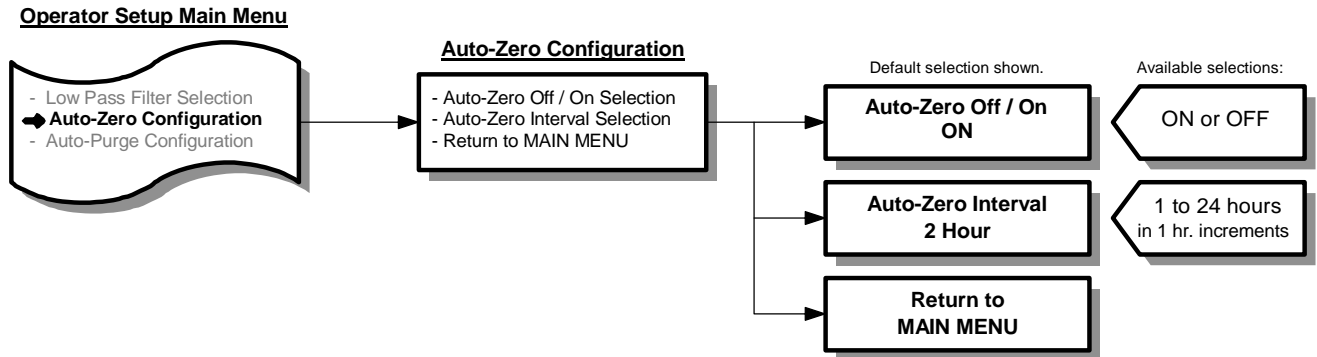


2. Press **ENT** and display indicates current setting of Low Pass Filter; 0 (none) to 8 (Maximum).
3. Use **UP** or **DN** to change setting. Once desired setting is displayed, press **ENT** and new setting will be stored in memory and display will return to Main Menu.

Note: If user desires not to change the setting and return to Main Menu, press **ESC**. Unit will remain programmed as it was originally.

5.10 – AUTO-zero CONFIGURATION

User can turn AUTO-zero function ON or OFF, and select activation interval.



1. While in Main Menu, use **UP** or **DN** to scroll to:

Auto-Zero Configuration
2. Press **ENT** to enter AUTO-zero Configuration menu. Display will indicate:

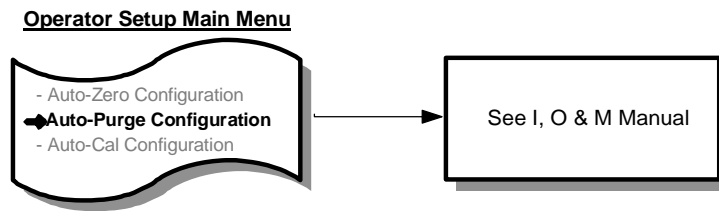
Auto-Zero Off/On Selection
3. Press **ENT** and display will indicate current setting of AUTO-zero (OFF or ON).
4. Use **UP** or **DN** to change setting. Once desired setting is displayed, press **ENT** and new setting will be stored in memory and display will return to AUTO-zero Configuration menu as in Step 2.

Note: If user desires not to change the setting and return to AUTO-zero Configuration menu, press **ESC**. Unit will remain programmed as it was originally.

5. Use **UP** or **DN** to select remaining parameters to be changed.
6. Follow Step 4 to make any changes to parameters.
7. To return to Main Menu, select Return to MAIN MENU in AUTO-zero Configuration menu and press **ENT**.

5.11 – AUTO-purge CONFIGURATION

Refer to "smart" relay manual for configuration information.



5.12 – AUTO-cal CONFIGURATION

User can select method of AUTO-cal activation (Internal and External or External Only), and set the following values:

Reference Value Selection. Allows for the selection of the AUTO-cal span report level in percent full scale (% FS).

Start Report Delay Selection. Allows for the selection of the duration of the Start Report Delay phase of the AUTO-cal cycle. This period of time is adjustable from 20 to 300 seconds and during this time, Output #1 and display will be held at last value prior to AUTO-cal initiation. This duration includes the 10 seconds for zero error measurement (T_0 to T_1 , Figure 5.3) and 10 seconds for span error measurement (T_1 to T_2 , Figure 5.3).

Zero Report Duration Selection. Allows for the selection of the duration of the Zero Report phase of the AUTO-cal cycle. This period of time is adjustable from 0 to 300 seconds and during this time, Output #1 will represent the value of zero error (if any). Display will remain frozen with last value prior to AUTO-cal initiation. Also during this period, AUTO-cal Relay will be energized. This is the time between T_3 and T_4 in Figure 5.3.

Between Report Duration Selection. Allows for the selection of the duration of the In Between Report phase of the AUTO-cal cycle. This period of time is adjustable from 0 to 300 seconds and during this time, Output #1 will drop to its minimum value. Display will remain frozen, and AUTO-cal relay will de-energize. This is the time between T_4 and T_5 in Figure 5.3.

Span Report Duration Selection. Allows for the selection of the duration of the Span Report phase of the AUTO-cal cycle. This period of time is adjustable from 0 to 300 seconds and during this time, Output #1 will represent transmitter output with the reference value (% FS) selected (see above) as an input pressure. Display will remain frozen, and AUTO-cal relay will energize. This is the time between T_5 and T_6 in Figure 5.3.

At the end of the AUTO-cal cycle (T_6), Output #1 and display will return to normal process monitoring, and AUTO-cal relay will de-energize.

Note: If Xmit D.P. and Report is selected for Output #4, output will be identical to Output #1 during the AUTO-cal cycle.

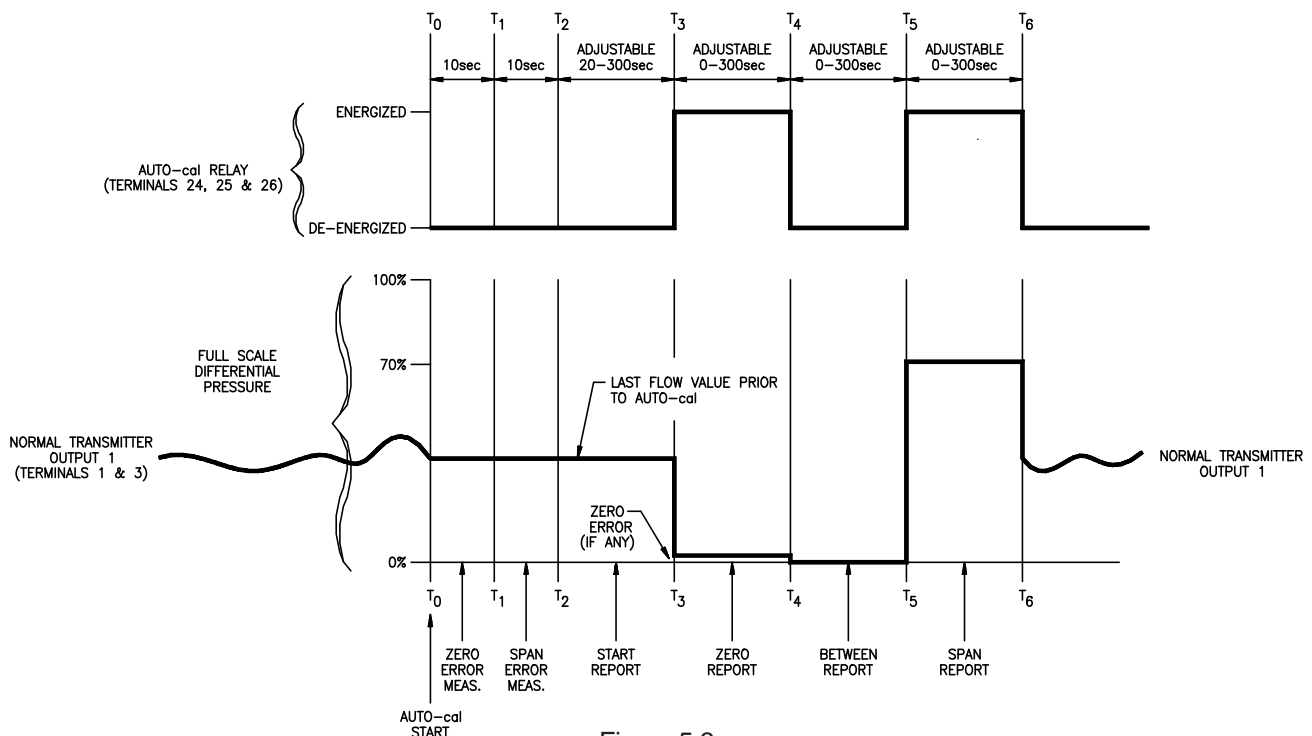


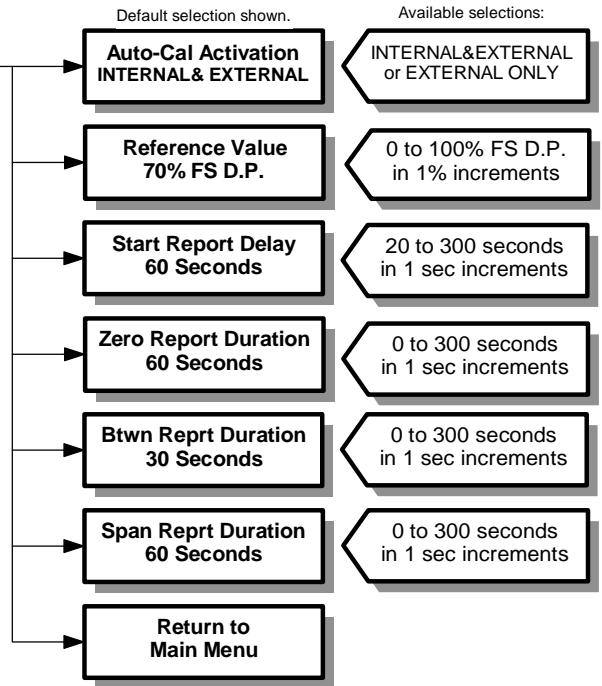
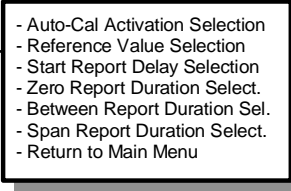
Figure 5.3

5.12 – AUTO-cal CONFIGURATION (con't)

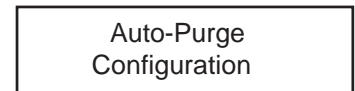
Operator Setup Main Menu



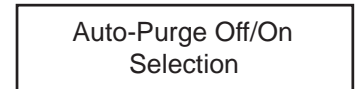
Auto-Cal Configuration



1. While in Main Menu, use **UP** or **DN** to scroll to:



2. Press **ENT** to enter AUTO-purge Configuration menu. Display will indicate:



3. Press **ENT** and display will indicate current setting of AUTO-purge (OFF or ON).

4. Use **UP** or **DN** to change setting. Once desired setting is displayed, press **ENT**. New setting will be stored in memory and display will return to Auto-purge Configuration menu as in Step 2.

Note: If user desires not to change the setting and return to AUTO-purge Configuration menu, press **ESC**. Unit will remain programmed as it was originally.

5. Use **UP** or **DN** to select remaining parameters to be changed.

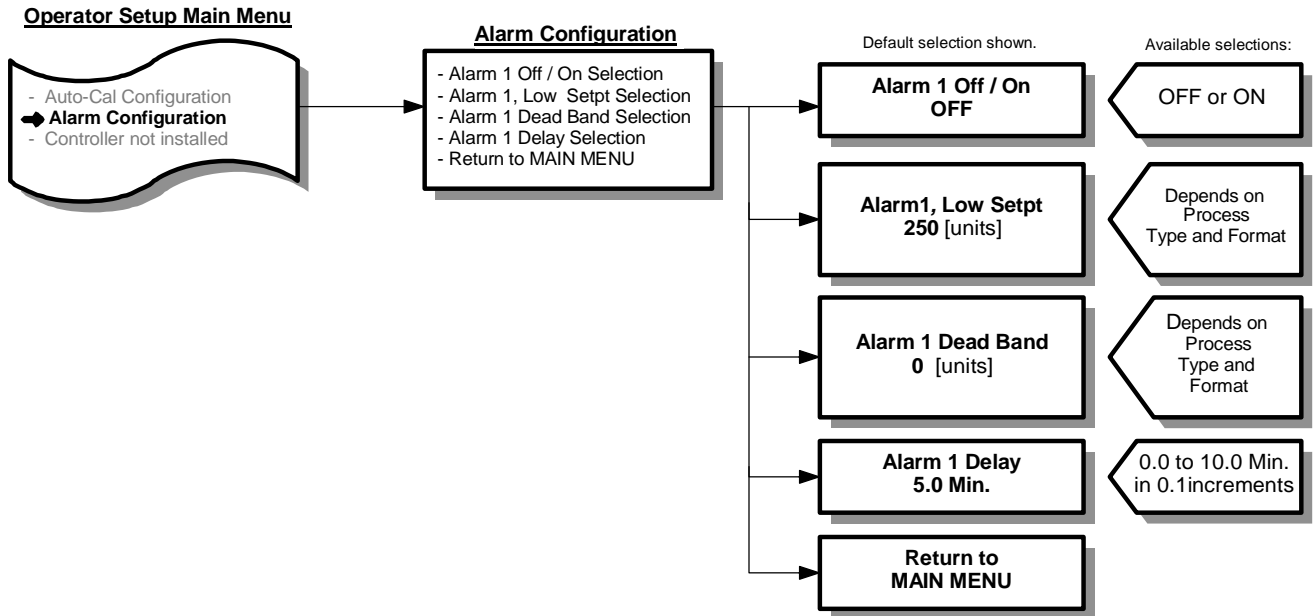
6. Follow Step 4 to make any changes to parameters.

7. To return to Main Menu, select Return to MAIN MENU in AUTO-purge Configuration menu and press **ENT**.

5.13 – ALARM CONFIGURATION

User can turn Alarm function ON or OFF, and set the following values:

- Low Setpoint:** Selected value of transmitter span, below which an alarm condition will exist. Value is selected in same units as transmitter format.
- Alarm Deadband:** Value that transmitter signal has to reach above before an activated alarm will reset. Value is selected in same units as transmitter format.
- Alarm Delay:** Time between an alarm condition existing and alarm activation. Adjustable between 0.0 and 10.0 minutes in 0.1 minute increments.

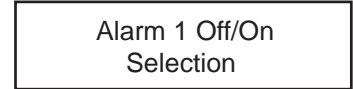


5.13 – ALARM CONFIGURATION (con't)

1. While in Main Menu, use **UP** or **DN** to scroll to:



2. Press **ENT** to enter Alarm Configuration menu. Display will indicate:



3. Press **ENT** and display will indicate current setting of Alarm 1 (OFF or ON).

4. Use **UP** or **DN** to change setting. Once desired setting is displayed, press **ENT**. New setting will be stored in memory and display will return to Alarm Configuration menu as in Step 2.

Note: If user desires not to change the setting and return to Alarm Configuration menu, press **ESC**. Unit will remain programmed as it was originally.

5. Use **UP** or **DN** to select remaining parameters to be changed.

6. Follow Step 4 to make any changes to parameters.

7. To return to Main Menu, select Return to MAIN MENU in Alarm Configuration menu and press **ENT**.

5.14 – CONTROLLER CONFIGURATION

Operator Setup Main Menu



5.15 – SPECIAL FUNCTION CONFIGURATION

Operator Setup Main Menu



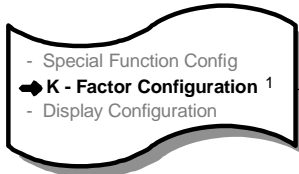
5.16 – K-FACTOR CONFIGURATION

Caution

In the majority of applications, the use of a K-Factor is neither required nor desirable. Before using the K-Factor feature, contact the Service Department (see Section 10) to review the application and obtain assistance in determining the K-Factor gain and bias values.

User can turn K-Factor function ON or OFF, calculate a K-Factor gain and bias based on measured data, or select a K-Factor gain value and K-Factor bias value. The K-Factor gain is a number applied as a multiplier to the differential pressure and the K-Factor bias is an offset added to the differential pressure. Note: If K-Factor is ON, Process displays will have an asterisk (*) after the description (i.e. FLOW*).

Operator Setup Main Menu



¹ Not available if Process Type is D.P. (see Transmitter Scaling & Config.)

K- Factor Configuration

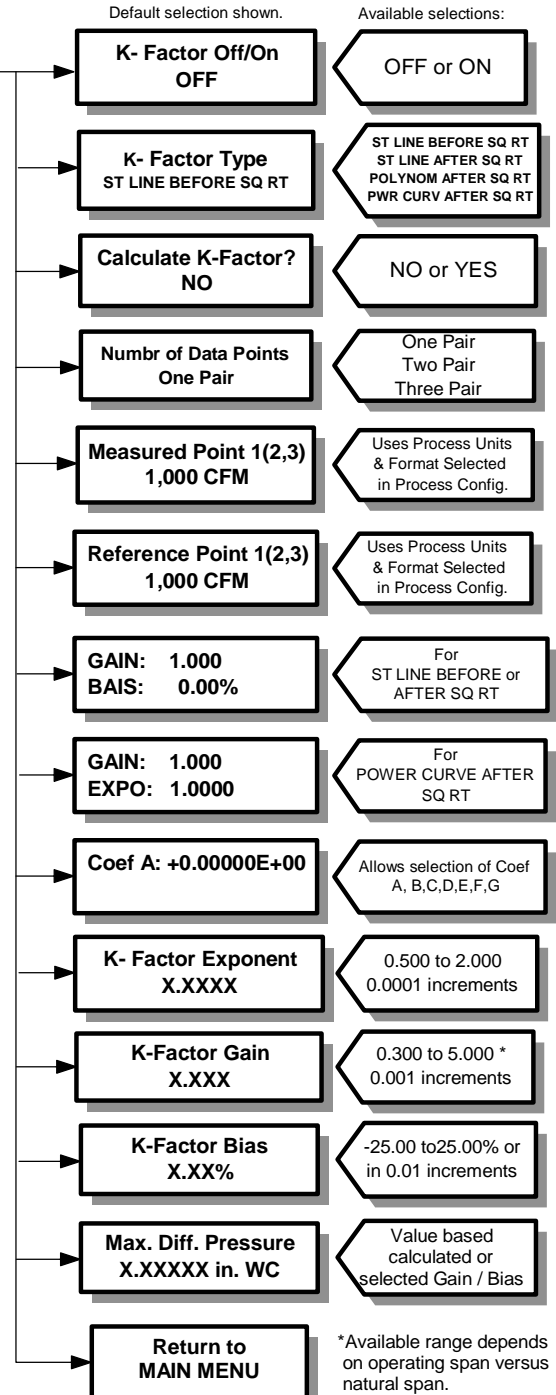
- K - Factor Off/On Selection
- K - Factor Type Selection
- Calculate K-Factor? Selection ²
- Numbr of Data Points Selection ³
- Measured Point 1 (2,3) Selection ³
- Reference Point 1 (2,3) Selection ³
- Perform Calculation ³
- Coefficient A (B,C,D,E,F,G) Selection ⁴
- K - Factor Exponent Selection ⁵
- K - Factor Gain Selection ⁵
- K - Factor Bias Selection ⁵
- Display Max D.P. ²
- Return to MAIN MENU

² Not available if K-Factor Type is Polynomial.

³ Available only if YES is selected in Calculate K-Factor?

⁴ Available only if K-Factor Type is Polynomial.

⁵ Available only if NO is selected in Calculate K-Factor? and depends on Type of K-Factor.



5.16 – K-FACTOR CONFIGURATION (con't)

1. While in Main Menu, use **UP** or **DN** to scroll to:



2. Press **ENT** to enter K-Factor Configuration menu. Display will indicate:



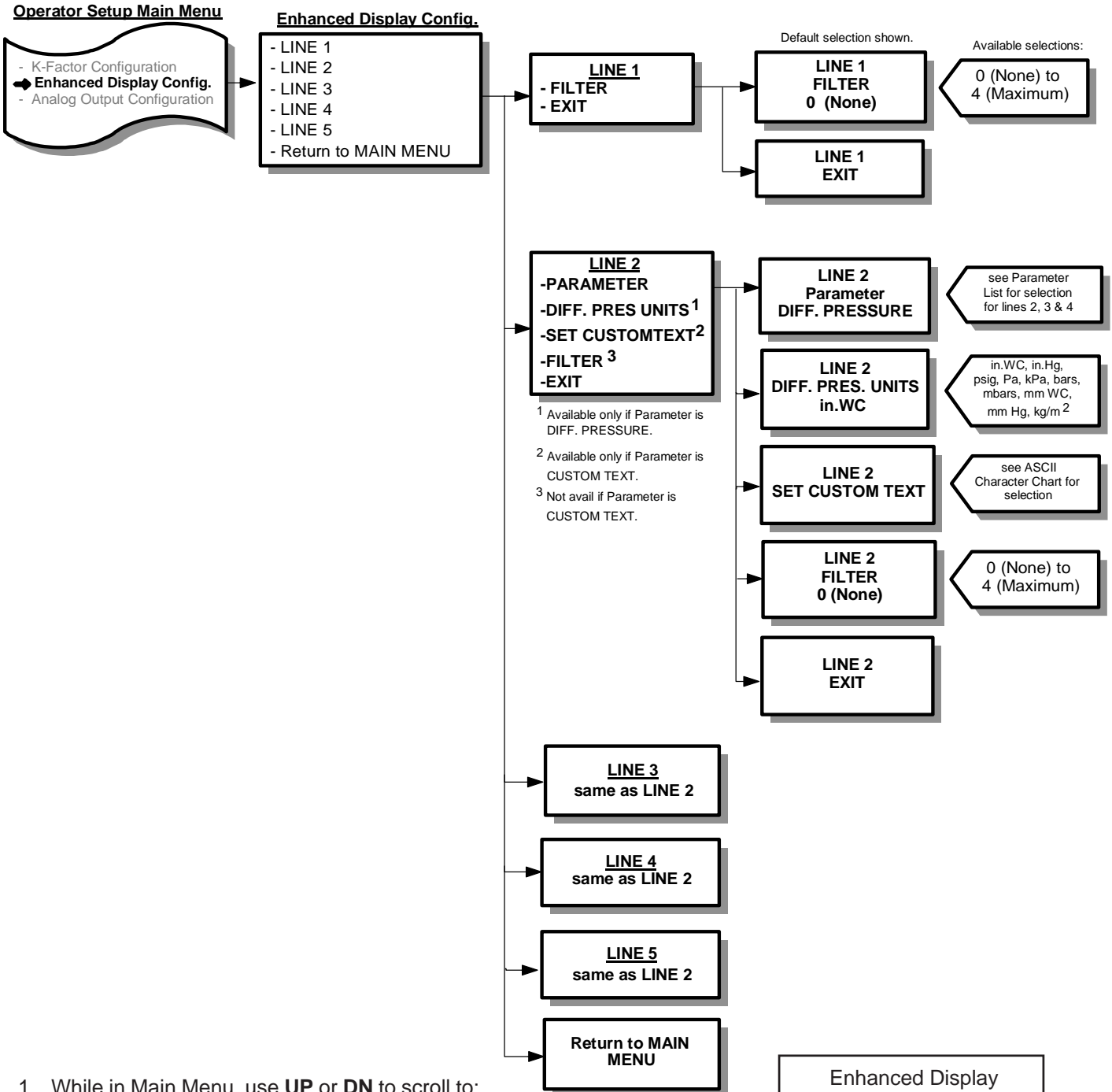
3. Press **ENT** and display will indicate current setting of K-Factor (OFF or ON).
4. Use **UP** or **DN** to change setting. Once desired setting is displayed, press **ENT**. New setting will be stored in memory and display will return to K-Factor Configuration menu as in Step 2.

Note: If user desires not to change the setting and return to K-Factor Configuration menu, press **ESC**. Unit will remain programmed as it was originally.

5. Use **UP** or **DN** to select remaining parameters to be changed.
6. Follow Step 4 to make any changes to parameters.
7. To return to Main Menu, select Return to MAIN MENU in parameter menu and press **ENT**.

5.17 – ENHANCED DISPLAY CONFIGURATION

User can select display parameter, for lines 2, 3, 4, and 5. Also, each line can have a level of filtering, 0 through 4 (4 is maximum) selected by User.



1. While in Main Menu, use **UP** or **DN** to scroll to:

Enhanced Display Configuration

2. Press **ENT** to enter Enhanced Display Configuration menu. Display will indicate:

LINE 1

3. Press **ENT** to enter Setup menu. Display will indicate:

LINE 1 FILTER

5.17 – ENHANCED DISPLAY CONFIGURATION (con't)

- 4. Press **ENT**, and display will indicate current setting of the filter [0 (None), 1 (Minimum), 2, 3, or 4 (Maximum)].
- 5. Use **UP** or **DN** to change setting. Once desired setting is displayed, press **ENT**. New setting will be stored in memory and display will return to Enhanced Display Configuration menu as in Step 3.

Note: If user desires not to change the setting and return to Enhanced Display Configuration menu, press **ESC**. Unit will remain programmed as it was originally.

6. Press **UP** and display will indicate:

LINE 1
EXIT

7. Press **ENT** then **UP** and display will indicate:

LINE 2

8. Press **ENT** and display will indicate:

LINE 2
PARAMETER

- 9. Press **ENT** and display will indicate current parameter selected to display on Line 2 (see Parameter List at the end of this section for available selections).

- 10. Use **UP** or **DN** to scroll to desired parameter. Press **ENT** and parameter will be stored in memory and display will indicate as in Step 8.

Note: If user desires not to change the setting and return to Setup menu, press **ESC**. Unit will remain programmed as it was originally.

- 11. If CUSTOM TEXT was selected and **ENT** pressed in Step 10, proceed to Step 20. For other parameters, continue with Step 12.

12. Press **UP** and display will indicate:

LINE 2
FILTER

Note: Filter selection will not be available if selected parameter is ALARM SETPOINT.

- 13. Press **ENT** and display will indicate current Filter setting selected for Line 1 [0 (None), 1 (Minimum), 2, 3, or 4 (Maximum)].

- 14. Use **UP** or **DN** to scroll to desired filter setting. Press **ENT** and filter setting will be stored in memory and display will indicate as in Step 12.

15. Press **UP** and display will indicate:

LINE 2
EXIT

16. Press **ENT** then **UP** and display will indicate:

LINE 3

5.17 – ENHANCED DISPLAY CONFIGURATION (con't)

17. Repeat Steps 8 through 16 for Line 3, 4, and 5. The only differences being the change of Line # in the display.

18. After Line 5 has been set, Step 16 will yield a display:

Return to
MAIN MENU

19. Press **ENT** to return to Main Menu.

20. If Custom Text was selected and **ENT** pressed in Step 10, (for any line 2, 3, 4), press **UP** and display will indicate:

LINE 2
SET CUSTOM TEXT

21. Press **ENT** , display will indicate:

LINE 2
SET CUSTOM TEXT

Cursor indicates position to be set.
There are 20 positions available to hold custom text.

22. Use **UP** or **DN** to scroll through available characters (see ASCII Chart at the end of this section for available characters).

23. When desired character is displayed, press **ENT**, character will be stored and cursor will advance one position to the right.

24. Repeat Steps 22 and 23 for all 20 positions. When position 20 is entered, user will be exited back to display as in Step 20.

25. Press **UP** and display will indicate:

LINE 2
EXIT

26. Press **ENT** then **UP** and display will indicate:

LINE 3

27. Repeat Steps 8 through 16 for Line 3, 4, and 5. The only differences being the change of Line # in the display.

Note: In "Set Custom Text" mode, the pushbuttons can be used in the following combinations to facilitate programming:

ESC + UP: Moves position cursor to the right, one position at a time.

ESC + DN: Moves position cursor to the left, one position at a time.

ESC + ENT: Exits "Set Custom Text". Does not enter any changes to the display since the last time **ENT** was pressed.

UP + DN: Jumps up five characters at a time, to the desired character.

DN + UP: Jumps down five characters at a time, to the desired character.

5.17 – ENHANCED DISPLAY CONFIGURATION (con't)

PARAMETER LIST for Lines 2, 3, 4, and 5	
PARAMETER	DISPLAY IN "NORMAL" MODE
NONE	
DIFF. PRESSURE	D. PRESS
TRANSMITTER VELO ¹	VELO.
TEMPERATURE	TEMP.
ABSOLUTE PRESSURE	ABS PR
PERCENT OF PROCESS	(Display will indicate process type selected in Process Configuration.)
ALARM LOW SETPOINT ²	LO SP
CUSTOMTEXT	
¹ Available only if Transmitter Flow is selected as Process Type. ² Available only if Alarm Function has been installed.	

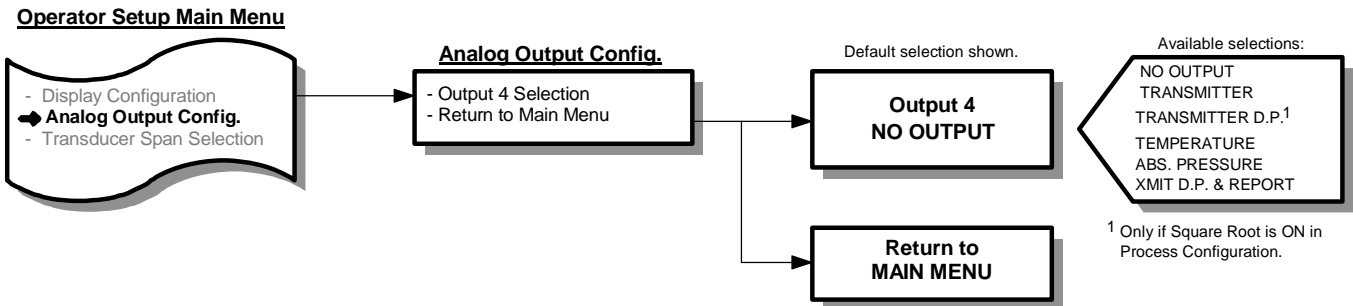
ASCII Character Chart										
!	*	3	<	E	N	W	`	i	r	{
"	+	4	=	F	O	X	a	j	s	
#	'	5	>	G	P	Y	b	k	t	}
\$	-	6	?	H	Q	Z	c	l	u	↑
%	.	7	@	I	R	[d	m	v	↓
&	/	8	A	J	S	¥	e	n	w	
'	0	9	B	K	T]	f	o	x	
(1	:	C	L	U	^	g	p	y	
)	2	;	D	M	V	-	h	q	z	

5.18 – ANALOG OUTPUT CONFIGURATION

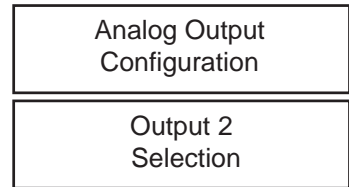
User can select which process variable Analog Output 4 represents.

Process variables available for output are:

- Transmitter Differential Pressure
- Transmitter Differential Pressure and AUTO-cal Report
- Transmitter Flow
- Temperature
- Absolute Pressure



1. While in Main Menu, use **UP** or **DN** to scroll to:



2. Press **ENT** to enter Analog Output Configuration menu. Display will indicate:

3. Press **ENT** and display will indicate current setting of Analog Output #Output 4 (NO OUTPUT, TRANSMITTER, TRANSMITTER D.P., TEMPERATURE, ABS. PRESSURE, XMIT DP & REPORT).

4. Use **UP** or **DN** to change setting. Once desired setting is displayed, press **ENT**. New setting will be stored in memory and display will return to Analog Output Configuration menu as in Step 2.

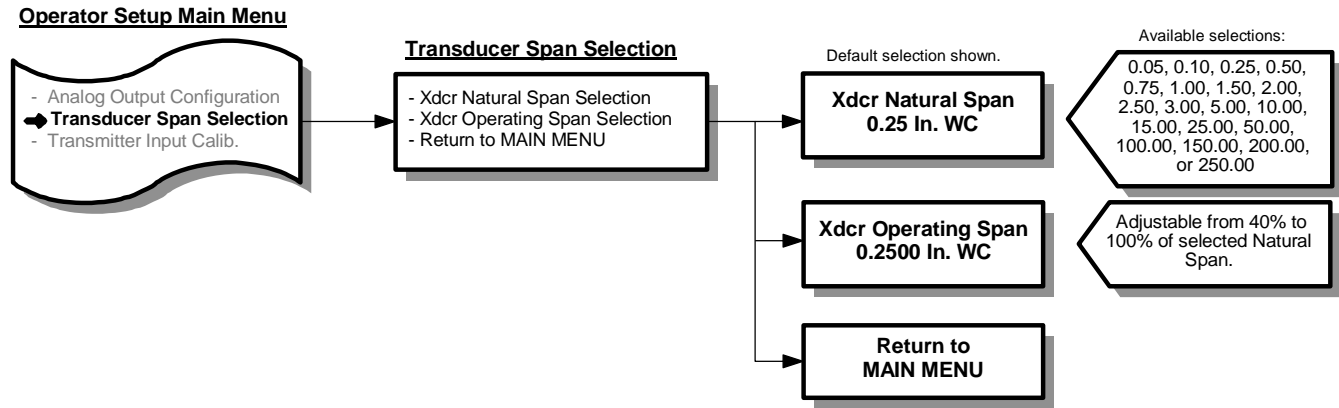
Note: If user desires not to change the setting and return to Analog Output Configuration menu, press **ESC**. Unit will remain programmed as it was originally.

5. To return to Main Menu, select Return to MAIN MENU in Analog Output Configuration menu and press **ENT**.

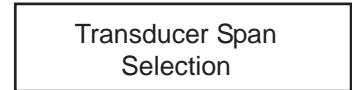
5.19 – TRANSDUCER SPAN SELECTION

Displays the transducer's natural span and operating span. The natural span represents the maximum process pressure that the transducer can accept. The displayed natural span is for user/technician reference only and should not be changed unless a new transducer of different natural span has been installed.

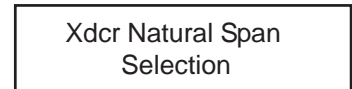
The operating span represents the calculated process pressure for a specific application, and can be adjusted 40% to 100% of the natural span.



1. While in Main Menu, use **UP** or **DN** to scroll to:



2. Press **ENT** to enter Transducer Span Selection menu. Display will indicate:



3. Press **ENT** and display indicates the natural span of the installed transducer (0.05, 0.10, 0.25, 0.50, 0.75, 1.00, 1.50, 2.00, 2.50, 3.00, 5.00, 10.00, 15.00, 25.00, 50.00, 100.00, 150.00, 200.00 or 250.00 IN w.c.).

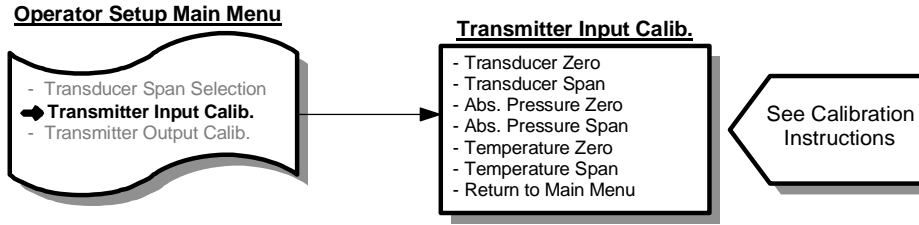
4. Use **UP** or **DN** to change setting. Once desired setting is displayed, press **ENT**. New setting will be stored in memory and display will return to Main Menu.

Caution: Only change setting if a transducer of different natural span has been installed.

Note: If user desires not to change the setting and return to Main Menu, press **ESC**. Unit will remain programmed as it was originally.

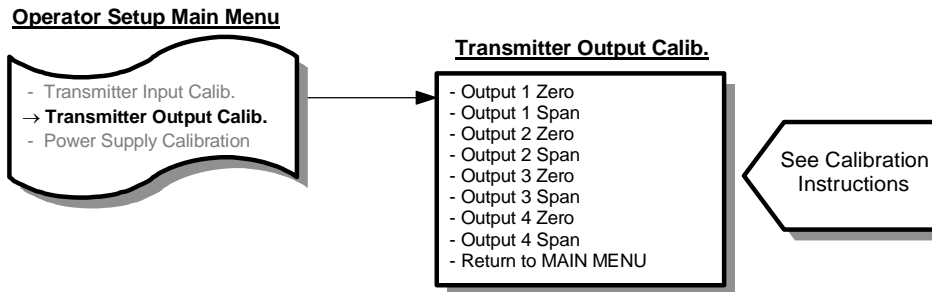
5.20 – TRANSMITTER INPUT CALIBRATION

See Section 6.3 – Calibration for details on Transmitter Input Calibration.



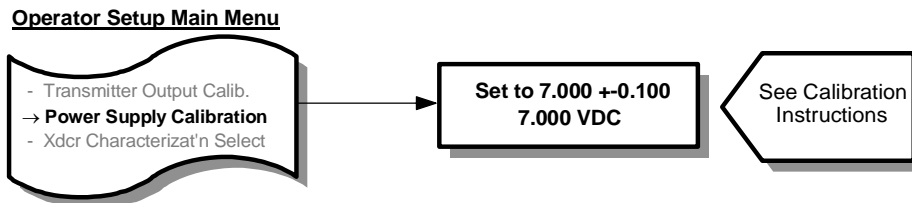
5.21 – TRANSMITTER OUTPUT CALIBRATION

See Section 6.4 – Calibration for details on Transmitter Output Calibration.

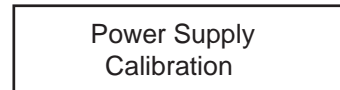


5.22 – POWER SUPPLY CALIBRATION

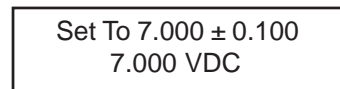
User can adjust power supply Voltage to an optimum value. The voltage has been adjusted at the Factory and should not require adjustment.



1. While in Main Menu, use **UP** or **DN** to scroll to:



2. Press **ENT** and display will indicate current power supply voltage on line 2.



3. If supply voltage is less than 6.900V or greater than 7.100V, adjust R36 on I/O Board (see Figure 5.2) until acceptable voltage reading is displayed on line 2.

4. When done, press **ENT** to return to Main Menu.

5.23 – TRANSDUCER CHARACTERIZATION SELECTION

Allows user to enter unique transducer characterization data when the transducer has been changed.

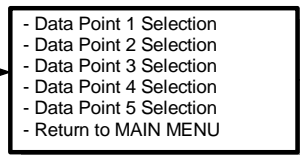
CAUTION:

- User should not make any changes to the data entered in the following menu items.
- This data has been entered by the Factory for the specific transducer installed in the unit.
- Only if the transducer is replaced by the user should new data be entered.
- This new data along with instructions will be provided with the new transducer from the Factory.

Operator Setup Main Menu

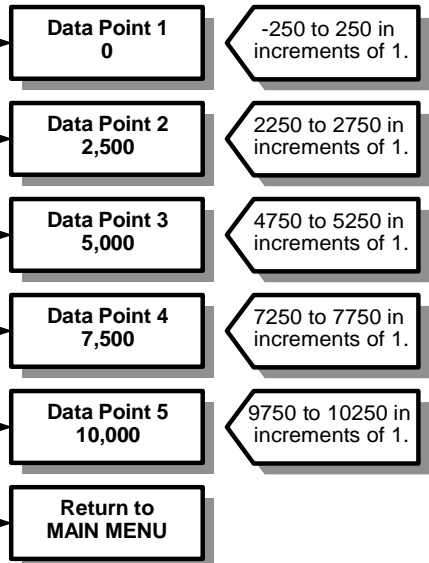


Xdcr Character. Selection



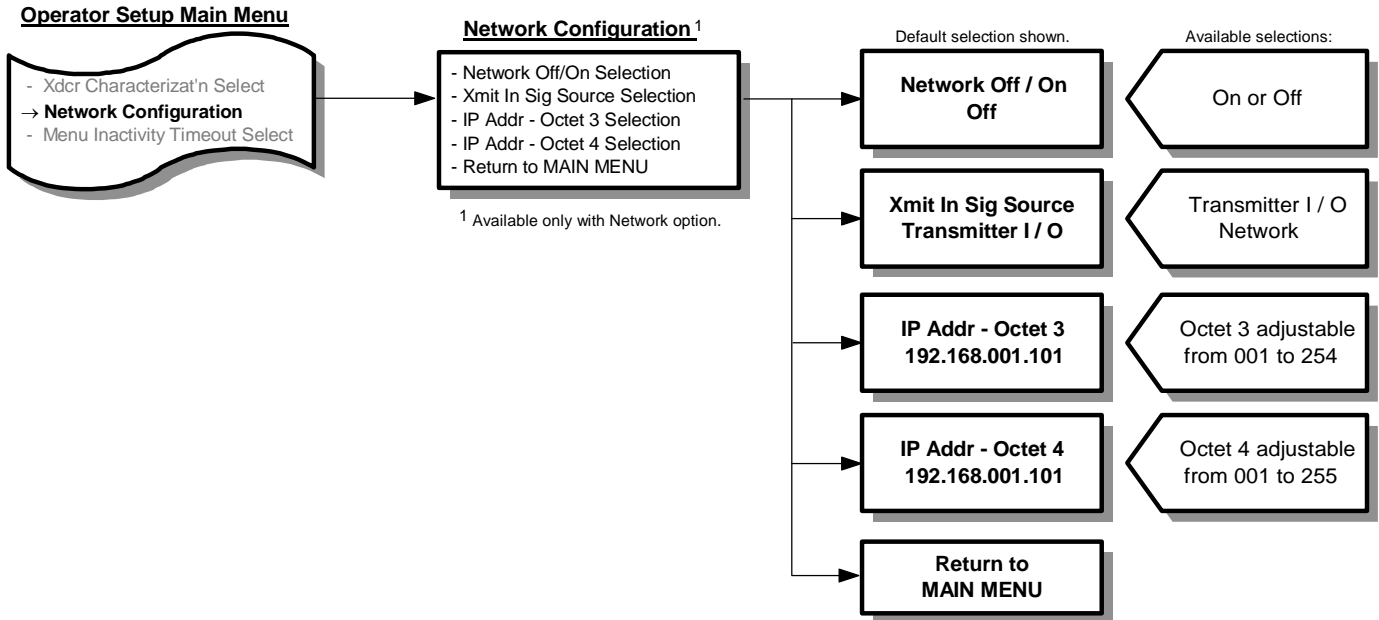
Default selection shown.

Available selections:



5.24 – NETWORK CONFIGURATION

Operator can turn network communications ON or OFF, select source, and assign IP addresses.



1. While in Main Menu, use **UP** or **DN** to scroll to:

Network Configuration

2. Press **ENT** to enter Network Configuration menu. Display will indicate:

Network Off/On Selection

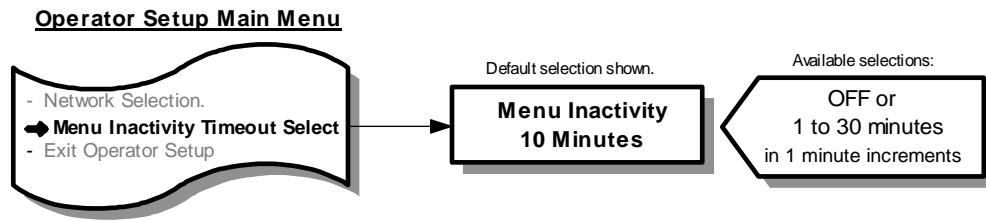
3. Press **ENT** and display will indicate current setting of Network (OFF or ON).
4. Use **UP** or **DN** to change setting. Once desired setting is displayed, press **ENT** and new setting will be stored in memory and display will return to Network Configuration menu as in Step 2.

Note: If user desires not to change the setting and return to Network Configuration menu, press **ESC**. Unit will remain programmed as it was originally.

5. Use **UP** or **DN** to select remaining parameters to be changed.
6. Follow Step 4 to make any changes to parameters.
7. To return to Main Menu, select Return to MAIN MENU in Network Configuration menu and press **ENT**.

5.25 – MENU INACTIVITY TIMEOUT SELECTION

Allows user to select a time (minutes) after which the unit returns to Normal operation if no activity in the Operator Menu.



1. While in Main Menu, use **UP** or **DN** to scroll to:

Menu Inactivity
Timeout Selection
2. Press **ENT** and display will indicate current timeout value (1 to 30 minutes or OFF).
3. Use **UP** or **DN** to change timeout value. Once desired value is displayed, press **ENT**. New setting will be stored in memory and display will return to Main Menu.

Note: If user desires not to change the setting and return to Main Menu, press **ESC**. Unit will remain programmed as it was originally.

6 – CALIBRATION

This section will detail steps necessary to calibrate the MASS-tron II/CEM. Calibration is accomplished using the four programming push buttons detailed in Section 5.

This section can be accomplished with MASS-tron II/CEM mounted in its operating location or at a test bench in a calibration lab.

If calibrated at a test bench, MASS-tron II/CEM should be positioned in the same attitude as in its operating location.

6.1 – REQUIRED EQUIPMENT

1. Digital Manometer capable of reading to the nearest 0.001" w.c.
2. Digital Multimeter.
3. Absolute Pressure gauge capable of reading 0 to 40" Hg.
4. Voltage/Current generator.
5. Source of clean, dry instrument air.
6. Adjustable low pressure regulator, such as AMC "Low Pressure Air Source" or equal.
7. Vacuum pump with regulator.
8. Temperature Simulator.
9. Pressure Regulator.

6.2 – PREPARATION

1. Turn MASS-tron II/CEM Power switch OFF (see Figure 4.1).
2. Remove Low and High pressure signal lines to the MASS-tron II/CEM.
3. Remove all signal wires connected to terminals 1 through 10 (see Figure 4.3).
4. Prepare test equipment as shown in Figure 6.1.
5. Turn Power switch ON.

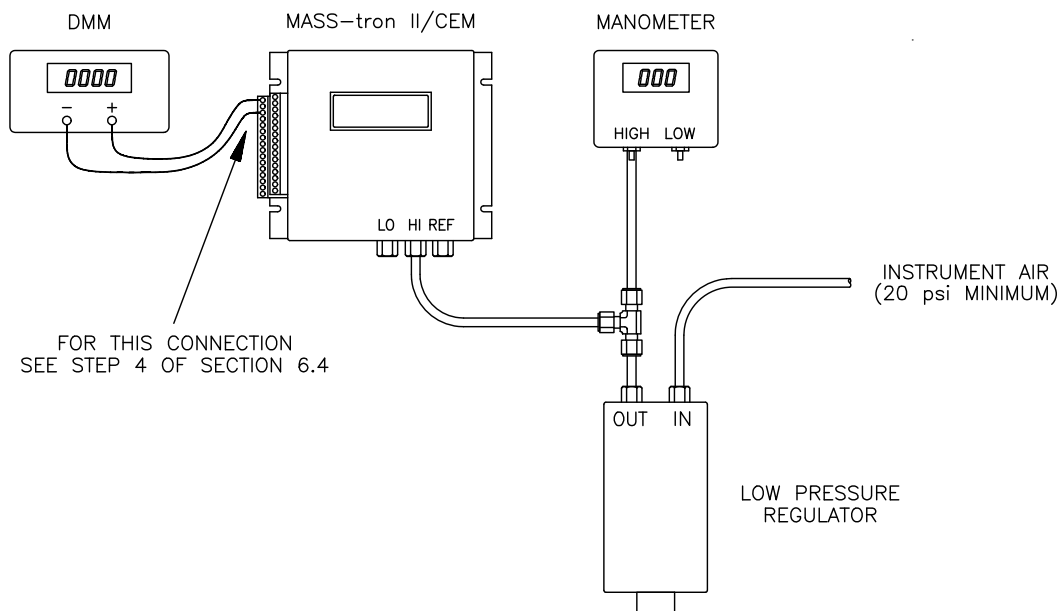


Figure 6.1

6.3 – TRANSMITTER INPUT CALIBRATION

6.3.1 Transducer Calibration

Minimum and maximum full scale differential pressure will be applied to the MASS-tron II/CEM, unit will be programmed to recognize these pressures as zero and span for transmitter input calibration.

1. While in Main Menu, scroll to:

Transmitter Input
Calibration

2. Press **ENT**, and display will indicate:

Transducer Zero
Calib: 0.00 in.WC

3. Press **ENT**, and display will indicate:

Transducer Zero
-- Push ENTER --

4. Press **ENT**, and display will indicate:

Transducer Zero
Settle Time:4 Sec

Display will count down to 0, after which it will indicate:

Input Zero Done
-- Push ESCAPE --

5. Press **ESC** and then **UP**, display will indicate:

Transducer Span
Calib: X.XX in.WC

6. Apply input pressure (as read on manometer) to the High port of the MASS-tron II/CEM. Adjust pressure to equal the transducer natural span value, which is indicated on the display.

7. Press **ENT**, and display will indicate:

Transducer Span
-- Push ENTER --

8. Press **ENT**, and display will indicate:

Transducer Span
Settle Time:4

Display will count down to 0, after which it will indicate:

Input Span Done
-- Push ESCAPE --

Note: If pressure input is less than 40% or greater than 110% of transducer's natural span value (see Factory Set-Up Information Sheet), display will indicate:

Bad Input Span
-- Push ESCAPE --

If this occurs, check input pressure (as read on manometer), and readjust as necessary. Press **ESC** and repeat Steps 6 through 8.

9. Press **ESC**.

10. Remove input pressure from High port on MASS-tron II/CEM.

6.3 – TRANSMITTER INPUT CALIBRATION (con't)

6.3.2 Absolute Pressure Calibration.

With minimum and maximum absolute pressure applied, MASS-tron II/CEM will be programmed to recognize these values for Density Compensation.

1. Prepare test equipment as shown in Figure 6.2. Have vacuum pump preset to approximately the required minimum pressure (see Factory Set-Up Information Sheet).

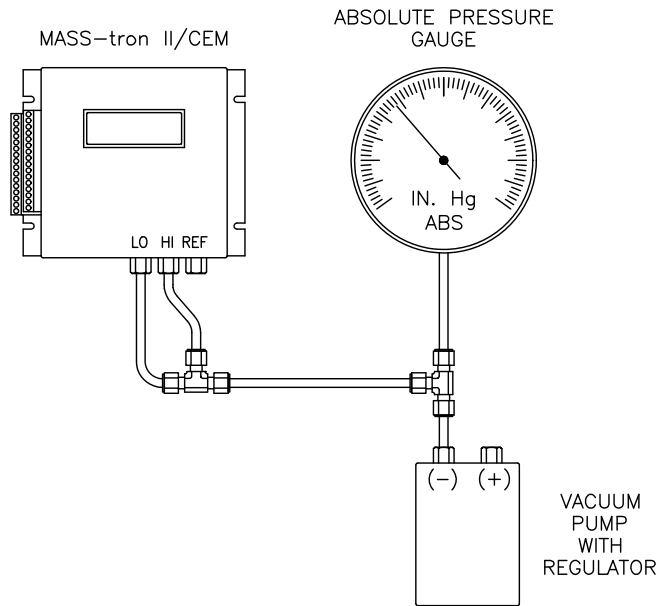


Figure 6.2

2. While in Transmitter Input Calib., scroll to:

Abs. Pressure Zero
Calib: 24.00 in.WC

3. Start vacuum pump and adjust (as read on gauge) to minimum absolute pressure value, which is indicated on the display.

4. Press **ENT**, and display will indicate:

Abs. Pressure Zero
-- Push ENTER --

5. Press **ENT**, and display will indicate:

Abs. Pressure Zero
Settle Time:4

Display will count down to 0, after which it will indicate:

Input Zero Done
-- Push ESCAPE --

6.3 – TRANSMITTER INPUT CALIBRATION (con't)

6.3.2 (con't)

Note: If zero input is less than 80% or greater than 120% of Absolute Pressure minimum input (see Factory Set-Up Information Sheet), display will indicate:

Bad Input Span
-- Push ESCAPE --

If this occurs, check input pressure (as read on gauge), and readjust as necessary. Press **ESC** and repeat Steps 4 through 5.

6. Press **ESC** and then **UP**, display will indicate:

Abs. Pressure Span
Calib: 36.00 in.Hg

7. Prepare test equipment as shown in Figure 6.3.

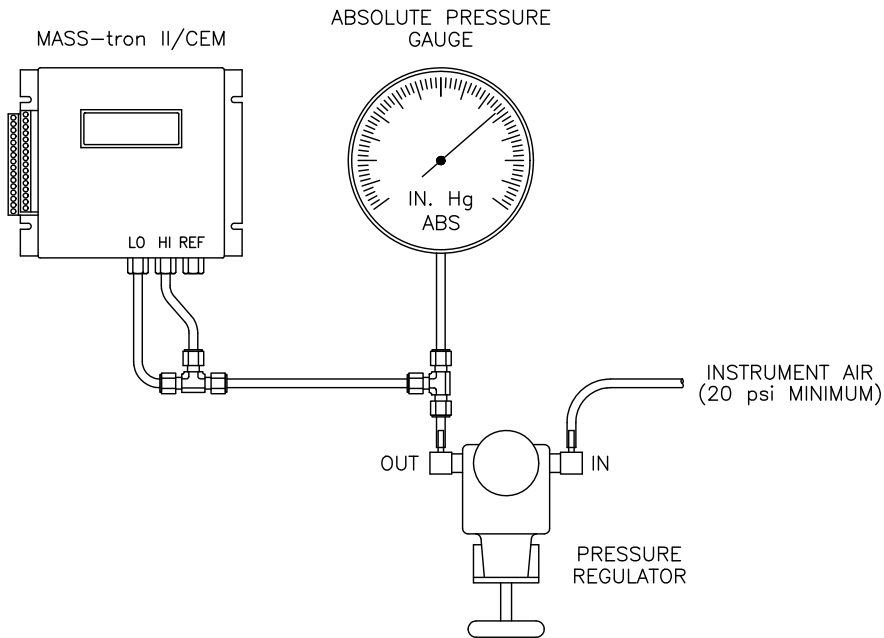


Figure 6.3

8. Adjust input pressure (as read on gauge) to the maximum absolute pressure value, which is indicated on the display.

9. Press **ENT** and display will indicate:

Abs. Pressure Span
-- Push ENTER --

10. Press **ENT**, and display will indicate:

Abs. Pressure Span
Settle Time:4

Display will count down to 0, after which it will indicate:

Input Span Done
-- Push ESCAPE --

6.3 – TRANSMITTER INPUT CALIBRATION (con't)

6.3.2 (con't)

Note: If span input is less than 80% or greater than 120% of Maximum Pressure input (see Factory Set-Up Information Sheet), display will indicate:

Bad Input Span
-- Push ESCAPE --

If this occurs, check input pressure (as read on gauge), and readjust as necessary. Press **ESC** and repeat Steps 9 through 10.

11. Press **ESC**.

12. Remove test equipment.

6.3 – TRANSMITTER INPUT CALIBRATION (con't)

6.3.3 **Temperature Calibration.** Follow these steps if Temperature was selected as a parameter in Section 5.8.

1. While in Transmitter Input Calib, scroll to:

Temperature Zero
Calib: XXX°F

2. If temperature signal is provided by temperature device, connect a voltage/current generator across Terminals 8 and 10 (see Figure 4.4). If temperature signal is powered by MASS-tron II/CEM, connect a loop powered temperature simulator across Terminals 7 and 8 (see Figure 4.5).

3. Adjust temperature signal for minimum value of temperature input value which is indicated on the display.

4. Press **ENT**, and display will indicate:

Temperature Zero
-- Push ENTER --

5. Press **ENT**, and display will indicate:

Temperature Zero
Settle Time:4

Display will count down to 0, after which it will indicate:

Input Zero Done
-- Push ESCAPE --

6. Press **ESC** and then **UP**, display will indicate:

Temperature Span
Calib: XXX°F

7. Adjust temperature signal for maximum value of temperature input value which is indicated on the display.

8. Press **ENT**, and display will indicate:

Temperature Span
-- Push ENTER --

9. Press **ENT**, and display will indicate:

Temperature Span
Settle Time:4

Display will count down to 0, after which it will indicate:

Input Span Done
-- Push ESCAPE --

Note: If span input is less than 80% or greater than 120% of Temperature maximum input (see Factory Set-Up Information Sheet), display will indicate:

Bad Input Span
-- Push ESCAPE --

If this occurs, check input signal and readjust as necessary. Press **ESC** and repeat Steps 7 through 9.

10. Press **ESC** .

11. Remove test equipment.

6.4 – TRANSMITTER OUTPUT CALIBRATION

1. Scroll Main Menu to:

Transmitter Output
Calibration

2. Press **ENT**, and display will indicate:

Output 1 Zero

3. Press **ENT**, and display will indicate:

Output 1 Zero
Perform Calibration

4. Connect a DMM set for type and scale of Transmitter Output 1 (see Factory Set-Up Information Sheet) across terminals 1 and 3 on MASS-tron II/CEM (see Figure 4.3).

Note: If the output is 4-20mA, a load resistance should be in series with the DMM. This can be accomplished by connecting the actual process load or a resistor of similar value to the actual process load.

DMM should be reading minimum value; 0.00 ± 0.01 volts or 4.00 ± 0.01 mA.

5. If DMM is reading out of tolerance, use **UP** or **DN** to adjust MASS-tron II/CEM output for an acceptable DMM reading.

Depending on DMM's selected range, the **UP** or **DN** button may need to be pressed and held for a period of time before any change occurs in the DMM's display. To speed up changes in output, pushbutton combinations can be used. The following chart lists these combinations along with the associated change in output type.

PUSHBUTTON COMBINATION	4-20mA	OUTPUT TYPE 0-5VDC	0-10VDC
UP only	+0.001mA	+0.3mV	+0.6mV
DN only	-0.001mA	-0.3mV	-0.6mV
UP* + ESC	+0.01mA	+0.003V	+0.006V
DN* + ESC	-0.01mA	-0.003V	-0.006V
UP* + DN	+0.1mA	+0.03V	+0.06V
DN* + UP	-0.1mA	-0.03V	-0.06V
UP* + ESC* and DN	+1.0mA	+0.3V	+0.6V
DN* + ESC* and UP	-1.0mA	-0.3V	-0.6V

*Must be pressed and held before other button(s) are pressed.

6.4 – TRANSMITTER OUTPUT CALIBRATION (con't)

6. Once an acceptable zero reading is obtained, press **ENT** and then **UP** and display will indicate:

Output 1 Span

7. Press **ENT**, and display will indicate:

Transmitter Span
Perform Calibration

8. With DMM still connected as in Step 4, reading should be at maximum value; 10.00 ± 0.01 volts, 5.00 ± 0.01 volts, or 20.00 ± 0.01 mA.

9. If DMM is reading out of tolerance, use **UP** or **DN** to adjust MASS-tron II/CEM output for an acceptable DMM reading.

10. Once an acceptable span reading is obtained, press **ENT** and then **UP** and display will indicate.

Output 2 Zero

11. Repeat Steps 3 through 10 for other Outputs. For Temperature Output 2, connect DMM across terminals 2 and 3; for Absolute Pressure Output 3 across terminals 4 and 6, and for Analog Output 4 across terminals 5 and 6 (see Figure 4.5).

12. Press **UP** until display indicates:

Return to
MAIN MENU

13. Press **ENT** and scroll Main Menu to:

EXIT
Operator Setup

14. Press **ENT** and MASS-tron II/CEM will return to *Normal* mode of operation.

6.5 – AUTO-span PRESSURE REFERENCE CALIBRATION

1. Disconnect tubing at output of AUTO-span Pressure Reference.
2. Connect manometer to output of AUTO-span Pressure Reference (see Figure 6.4).
3. Using coarse adjustment, adjust pressure as read on gauge to 9.0 ± 1.0 psi (tap gauge to eliminate any hysteresis).
4. Using reference adjustment, adjust reference pressure as read on manometer to desired percentage of full scale input pressure (see Factory Set-Up Information Sheet).
5. Remove manometer and reconnect tubing removed in Step 1 above.

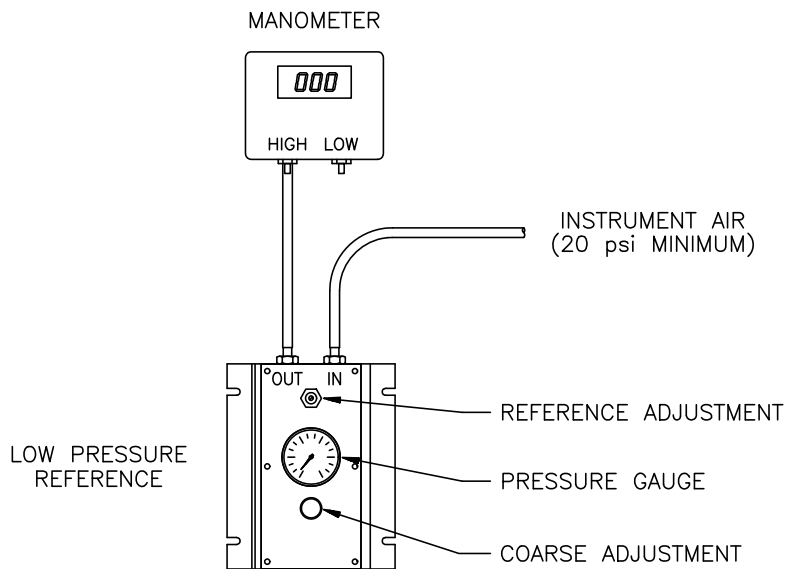


Figure 6.4

7 – MAINTENANCE

The MASS-tron II/CEM is a solid state device having few mechanical parts requiring special periodic maintenance. The following maintenance steps are not requirements, but guidelines for establishing a maintenance program for your specific installation.

Operating experience should be used to set frequency of specific types of maintenance.

7.1 – CLEANLINESS

- Periodically inspect MASS-tron II/CEM for build-up of dust and debris.
- Keep field wiring terminal strips clean to preclude shorting between terminals.
- Verify condensation (or other sources of liquids) are not present inside the MASS-tron II/CEM.

7.2 – MECHANICAL

- Verify pressure signal connections are secure.
- Inspect pressure signal lines for any cracks or leaks.
- Verify mounting hardware is secure.

7.3 – ELECTRICAL

- Periodically inspect all wiring to the MASS-tron II/CEM for good connections and absence of corrosion.

7.4 – CALIBRATION

- MASS-tron II/CEM should have calibration verified annually as a minimum.

8 – TROUBLESHOOTING

Personnel should be familiar with the operation of the MASS-tron II/CEM (see Section 5) before performing any troubleshooting.

Note: Prior to performing any troubleshooting, turn power switch OFF. After 10 seconds, turn power switch ON. If problem still exists, proceed with troubleshooting steps.

<i>Problem</i>	<i>Solution</i>
No Display and "CPU Activated" LED is not lit.	<ul style="list-style-type: none"> – Verify input power is present at the correct voltage as listed on label and connected to Terminals 15 and 16. – Verify power switch is in the ON position. – Check fuse F2 (see Figure 5.2 for location). – Replace I/O Board.
No output or incorrect output (Transmitter Output 1) and display responding correctly with process change.	<ul style="list-style-type: none"> – Review Factory Set-Up Information Sheet for type of output. – Check terminal strip wiring for proper installation. – Verify jumpers are correct for desired type of output (see Section 4.6). – Perform Transmitter Output Calibration (see Section 6.4). – Replace I/O Board.
No output or incorrect output (Transmitter Output 1) and display not responding or correctly with process change.	<ul style="list-style-type: none"> – Verify pressure signal lines are connected correctly. – Check for leaky or obstructed lines between MASS-tron II/CEM and process sensor. – Check for kinked internal signal pressure lines in transmitter base. – Replace Transducer. – Replace CPU Board.
No output or incorrect output. (Analog Output 2, 3 or 4).	<ul style="list-style-type: none"> – Verify correct output is selected (see Section 5.18). – Verify correct input is applied for process application. – Verify jumpers are correct for desired type of output (see Section 4.6). – Check wiring for proper installation. – Verify menu configuration setup is correct for process application or special function. – Replace I/O Board.
AUTO-zero Function is not working.	<ul style="list-style-type: none"> – Verify AUTO-zero is ON and interval is properly set (see Section 5.10). – Replace I/O Board.
"AUTO-zero in Progress" LED is continuously lit.	<ul style="list-style-type: none"> – Zero value measured during AUTO-zero cycle is between 90 and 100% of span. Transmitter Input Calibration should be performed as soon as possible (see Section 6.3). – Replace CPU Board.
"AUTO-zero in Progress" LED is flashing rapidly.	<ul style="list-style-type: none"> – Zero value measured during AUTO-zero cycle is greater than 100% of span. Transmitter Input Calibration should be performed immediately (see Section 6.3). – Replace Transducer.
"AUTO-cal In Progress" LED is continuously lit.	<ul style="list-style-type: none"> – Verify input pressure is correct for the reference value set in Section 5.12 (see Section 6.5 for calibration procedure). – Recalibrate Transmitter Zero and Span (see Section 6.3.1).
"AUTO-cal In Progress" LED is rapidly flashing.	<ul style="list-style-type: none"> – Verify input reference pressure is correct for the reference value set in Section 5.12 (see Section 6.5 for calibration procedure). – Recalibrate Transmitter Zero and Span (see Section 6.3.1).

If after following the Troubleshooting steps the MASS-tron II/CEM continues to operate improperly, contact the Service Department for further assistance (see Section 10).

8 – TROUBLESHOOTING (con't)

Personnel should be familiar with the operation of the MASS-tron II/CEM (see Section 5) before performing any troubleshooting.

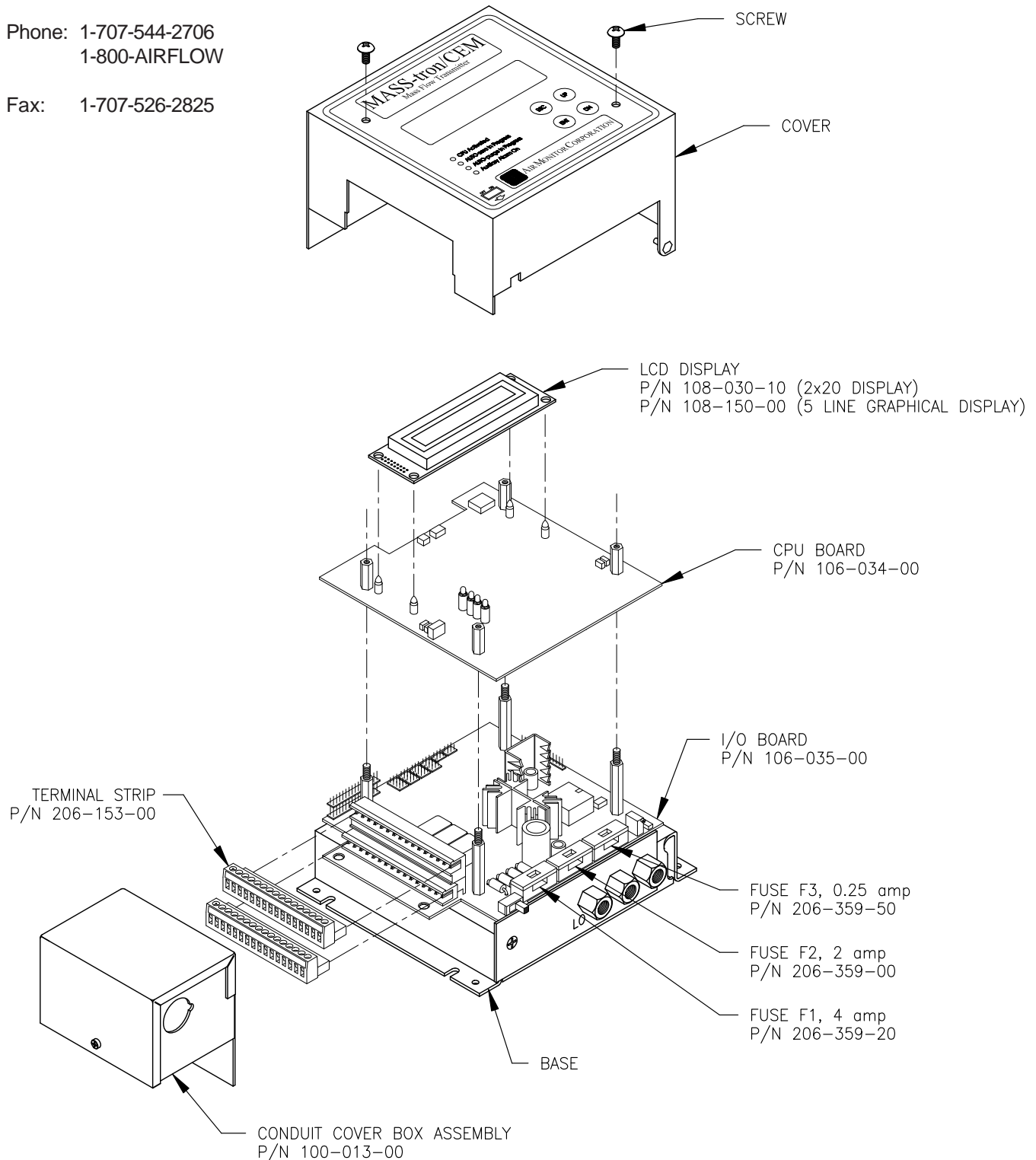
Problem	Solution
AUTO-cal Report Timing is incorrect.	– Verify AUTO-cal configuration.
AUTO-cal function not working at all.	– Verify AUTO-cal activation is set for correct operation (see Section 5.12). – Verify wiring, if externally activated.
AUTO-purge Function is not working.	– Verify AUTO-purge is on, interval and activation are properly set (see Section 5.11). – Check for proper terminal strip wiring and connections (see Section 4.5).
Alarm not working.	– Verify that Alarm is ON and setpoint is set to correct value (see Section 5.13). – Check for proper terminal strip wiring and connections (see Section 4.5). – Replace I/O Board.
"CPU Activated" LED is not flashing	– Turn power switch OFF and back ON. – Replace CPU Board.
"CPU Activated" LED is flashing, display has characters but is not functioning.	– Replace CPU Board.
Temperature output is at minimum, and display (if used) says Bad Temp.	– Check Temperature input for open circuit between temperature device and MASS-tron II/CEM's terminal strip. – Verify temperature device is connected correctly (see Figure 4.4 or 4.5). – Verify jumpers are correct for desired type of input (see Section 4.6).
Absolute pressure calibration display indicates "Bad Input Zero" or "Bad Input Span".	– Verify pressure gauge is an <u>Absolute</u> Pressure Gauge. – Check for signal line leaks.
Temperature output and display (if used) have an error of $\geq 5\%$.	– Verify Temperature input signal from temperature device is correct. – Verify correct linearization has been selected (see Section 5.8).
"Unreliable" is displayed on Line 1 of the display.	– Process signal is outside of -10% to $+110\%$ of the calibrated process range.
"Unreliable" is displayed on Line selected to display Temperature.	– Temperature input signal is outside of -10% to $+110\%$ of calibrated Temperature Range.
"Unreliable" is displayed on Line selected to display Absolute Pressure.	– Absolute Pressure input signal is outside of -10% to $+110\%$ of calibrated Absolute Pressure Range.
Unable to access Operator Setup	– If the password has changed from the factory default of 1,111 and forgotten, Operator can access the Password Selection Menu by sequentially pressing UP, DN, UP, and ESC.
If after following the Troubleshooting steps the MASS-tron II/CEM continues to operate improperly, contact the Service Department for further assistance (see Section 10).	

9 – PARTS LIST

The following drawing with part numbers lists components of the MASS-tron II/CEM that are easily replaced by the user. When contacting the Customer Service Department about parts, please have the applicable Factory Set-Up Information sheet available for reference. To inquire about price and availability of a specific part number, please contact the Customer Service Department at:

Phone: 1-707-544-2706
1-800-AIRFLOW

Fax: 1-707-526-2825

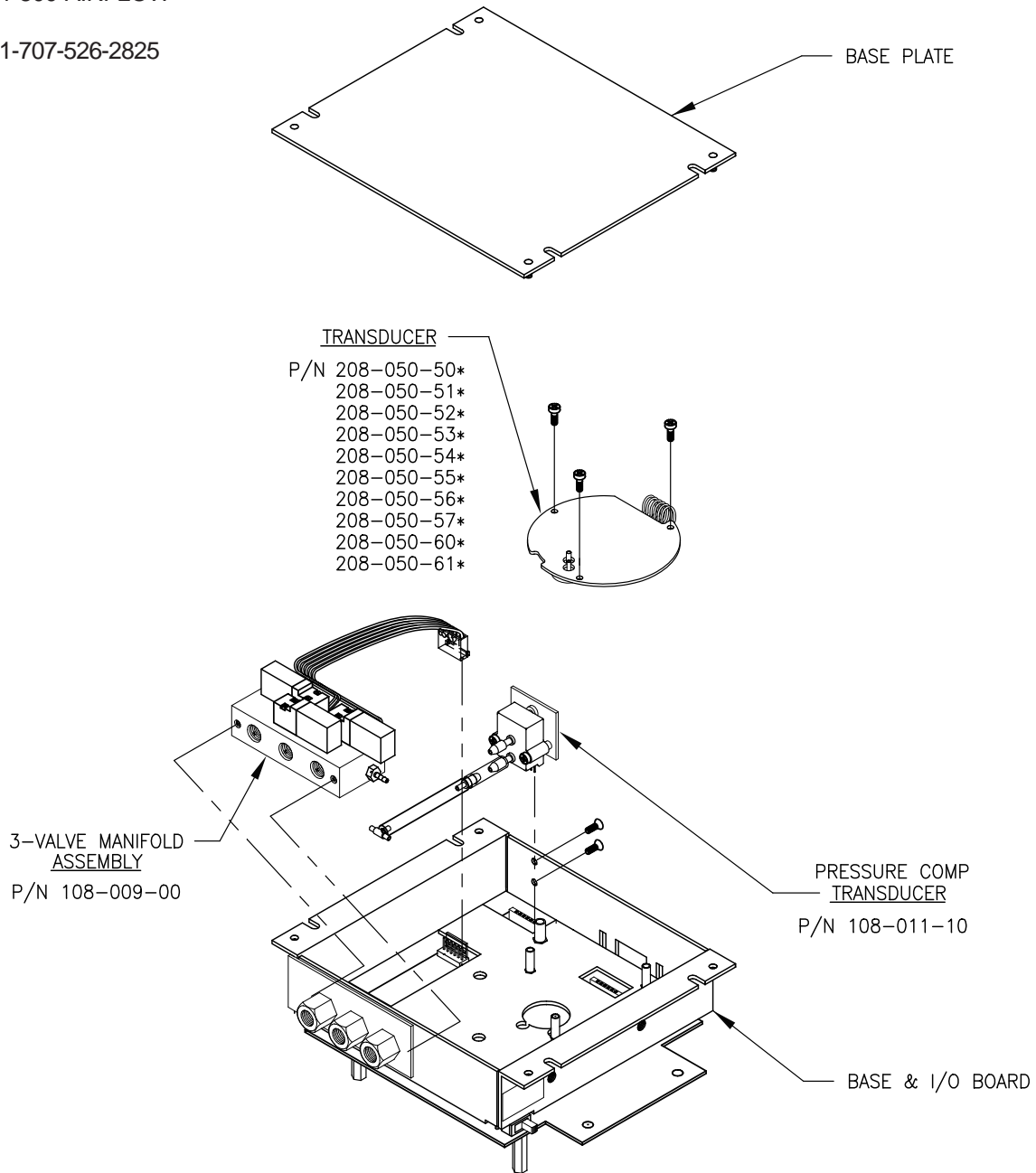


9 – PARTS LIST

The following drawing with part numbers lists components of the MASS-tron II/CEM that are easily replaced by the user. When contacting the Customer Service Department about parts, please have the applicable Factory Set-Up Information sheet available for reference. To inquire about price and availability of a specific part number, please contact the Customer Service Department at:

Phone: 1-707-544-2706
1-800-AIRFLOW

Fax: 1-707-526-2825



* NOTE: REFER TO FACTORY SET-UP INFORMATION SHEET TO DETERMINE WHICH TRANSDUCER IS UTILIZED IN YOUR MASS-tron II/CEM

10 – CUSTOMER SERVICE

10.1 – CUSTOMER SERVICE/TECHNICAL SUPPORT

Air Monitor Corporation provides in-house technical support for our products:

Monday through Friday
 7 am to 5 pm (pst)
 Phone: 707-544-2706 or 1-800-AIRFLOW
 Fax: 707-526-2825

Additionally, on-site technical assistance is available. Before contacting the Customer Service Department, please ensure any applicable troubleshooting steps outlined in Section 8 have been performed.

10.2 – REPAIRS/RETURNS

If after contacting the Customer Service Department it is determined that equipment will require return to Air Monitor Corporation for further repair, a Return Authorization number will be issued by the Customer Service Department. A Return Authorization with shipping instructions will be sent via facsimile.

Equipment to be returned to Air Monitor Corporation should be returned in its original shipping container if possible. If this is not possible, ensure equipment is packaged sufficiently to protect it during shipment.

CAUTION
All damage occurring during transit is the Customer's responsibility.

List the Return Authorization (R/A) number on the packing list and clearly mark this number on the outside of each shipping container.

Costs associated with return of equipment to Air Monitor Corporation are the customer's responsibility regardless whether the repair/return is under warranty.

10.3 – WARRANTY REPAIRS/RETURNS

Once the Customer Service Department determines that the equipment repair is under warranty, the item will be repaired and returned to the customer at no charge.

10.4 – NON-WARRANTY REPAIRS/RETURNS

Customer will be invoiced for all parts and labor required for the repair of equipment. Return shipping charges will also be added to invoice.

10.5 – FIELD SERVICE

Requests for field service should be made to the Customer Service Department, who will coordinate sending a technician to customer's site.

Phone: 707-544-2706 or 1-800-AIRFLOW
 Fax: 707-526-2825

Upon completion of work, technician completes a Field Service Report and gives a copy to the customer. Field service is charged on a daily basis and all travel expenses are also added to customer's invoice.